

# Data sheet

## OpDAT VADT splice 4xSC APC OS2

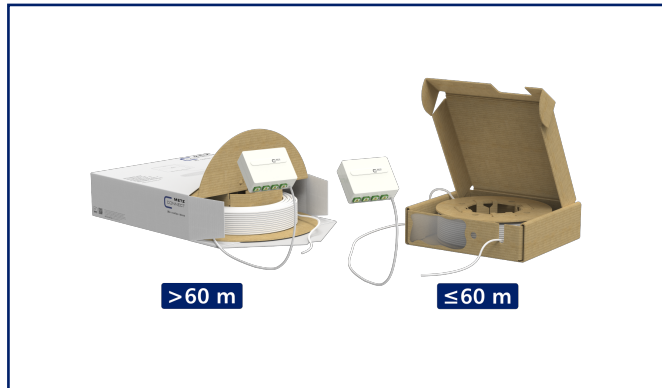
Page 1/6

P/N  
150C049HF00XXE

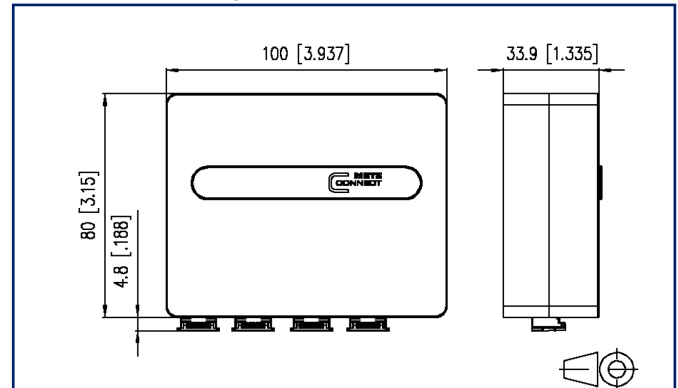
2025/06/24

Version: I

### Illustrations



### Dimensional drawing



See enlarged drawings at the end of document

### Product specification

- compact fiber optic termination unit for flush mounted outlets or cavity wall boxes
- Box ready for installation, pre-terminated with singlemode indoor cable and equipped with adapters including laser protection for the connection of up to four fiber optic patch cables.
- The second cable end is open to be inserted, pulled in or blown into empty tubes. Suitable for splicing or for mounting field attachable fiber optic connectors (OpDAT FAST® Hybrid).
- cable easy to mount on carton drum
- quick and easy unwinding of the cable without removing the cable drum from the outer box for cable lengths of 10 - 60 m
- Two cable types available:
  - Mini Breakout Cable Compact, white, Ø 4.5 mm
  - FITH cable, white, Ø 2.3 mm
- single mode fiber OS2, E9/125 µm, bend insensitive according to ITU-T G.657.A, compatible to G.652.D
- supplied with fixing material
- color box pure white (similar to RAL 9010)
- cable lengths: 5 to 100 m in 5 m steps
- (replace XX in the part number by the length, for example 05=5 m, A0=100 m)
- all available variants can be created with the VADT configurator

## Technical Data

### General Data

Mechanical measurement according to MICE	M1
Ingress measurement according to MICE	I1
Climatic measurement according to MICE	C1
Electromagnetic measurement according to MICE	E3
Design	wall outlet
Mounting style	AP
Transmission technology	Fiber optic
Color	white
Dimensions	
Dimension (L x W x H)	85 mm x 100 mm x 35 mm
Dimension (L x W x H)	3.346 in. x 3.937 in. x 1.378 in.
Mode type of the fiber	Singlemode
Fiber class	OS2
Shape	APC (Angled Physical Contact)
Fiber construction	9/125 µm

### Connections/interfaces

Connector technology interface 1	SC
Number of ports interface 1	4
Number of equipped ports interface 1	4
Number of ports with dust protection interface 1	4
Number of blind	0
Cable sheath diameter (min. - max.)	
Cable sheath diameter	4.50
Cable sheath diameter	0.177

### Electrical/ optical properties

Insertion loss	max. 0,3 dB
Return loss	min. 65 dB



Data sheet

Page 4/6

**OpDAT VADT splice 4xSC APC OS2**P/N  
150C049HF00XXE

2025/06/24

Version: I

**Technical Data****Application note**

This product is a standard product of METZ CONNECT. METZ CONNECT is not aware of the specific intended use of the goods by the Customer or any customers of the Customer. The Customer guarantees that it has fully and sufficiently tested the use of the goods and any product modifications, product changes or product enhancements with regard to the specific intended use in accordance with the state of the art or in any other way. At METZ CONNECT's request, the Customer shall submit and make available meaningful evidence (e.g. test and laboratory protocols, certifications, etc.).



## Accessories

P/N	Designation
150800200-E	Fibre optic tool Bag
1509QAEA002C-E	OpDAT FAST™ Hybrid connector kit SC APC OS2 20 pieces for buffered fibres incl. tool
1509QAE0002C-E	OpDAT FAST™ Hybrid connector kit SC UPC OS2 20 pieces for buffered fibres incl. tool
1509QAJA002C-E	OpDAT FAST™ Hybrid connector kit LC APC OS2 20 pieces for buffered fibres incl. tool
1509QAJ0002C-E	OpDAT FAST™ Hybrid connector kit LC UPC OS2 20 pieces for buffered fibres incl. tool
151P7EAEAXXE	OpDAT patch cord SC-S APC/SC-S APC OS2, white
151P7EAJAXXE	OpDAT patch cord SC-S APC/LC-S APC OS2, white
151P7EOEAXXE	OpDAT patch cord SC-S/SC-S APC OS2, white



Data sheet  
**OpDAT VADT splice 4xSC APC OS2**

Page 6/6

P/N  
**150C049HF00XXE**

2025/06/24  
Version: I

**Illustrations**

Dimensional drawing

