

# Data sheet

## OpDAT ADT splice 4xSC-S UPC OS2 Grade B

Page 1/6

P/N

1501191U04HC

EAN 4251394639161

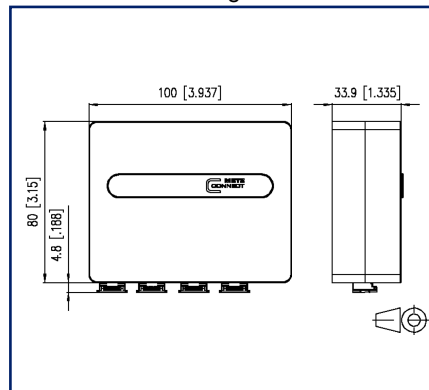
2025/06/06

Version: H

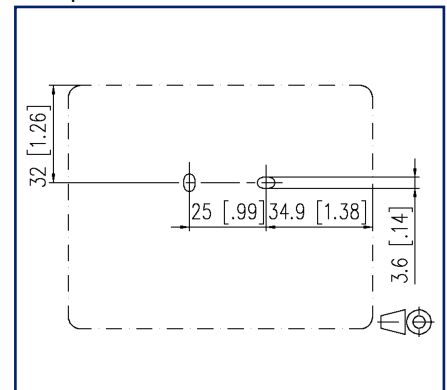
### Illustrations



Dimensional drawing



Drill pattern



See enlarged drawings at the end of document

### Product specification

- Compact, universal fiber optic termination unit for flush mounted outlets or cavity wall boxes, surface mounting or rail mounting
- Equipped with adapters with laser shutter and singlemode pigtails for splicing to FITH cables with singlemode fibers
- Pigtails with single mode fiber OS2, E9/125  $\mu\text{m}$ , IEC 60793-2-50 B.1.3 and B.6\_a, bend insensitive according to ITU-T G.657.A1, compatible to ITU-T G.652.D
- Unequipped ports are closed with blind plugs
- Possible cable entries: on the back, from above, from below, from the left or the right side
- With integrated clips for rail mounting in two directions
- Pivoting, removable splice tray for up to 8 shrink splice protections
- Cover removable without tool
- Plug direction 90°
- Color of the cover parts pure white RAL 9010
- Variants: equipped with SC APC, SC UPC, LC-D APC or LC-D UPC adapters and matching pigtails
- Variants also available in Grade B



# OpDAT ADT splice 4xSC-S UPC OS2 Grade B

P/N

1501191U04HC

EAN 4251394639161

2025/06/06

Version: H

## Technical Data

### General Data

Mechanical measurement according to MICE	M1
Ingress measurement according to MICE	I1
Climatic measurement according to MICE	C1
Electromagnetic measurement according to MICE	E3
Design	wall outlet
Mounting style	surface mount, standard rail TH35
Transmission technology	Fiber optic
Color	pure white - RAL 9010
Dimensions	
Dimension (L x W x H)	85 mm x 100 mm x 35 mm
Dimension (L x W x H)	3.346 in. x 3.937 in. x 1.378 in.
Cable Type	pigtail(s)
Mode type of the fiber	Singlemode
Fiber class	OS2
Shape	UPC (Ultra Physical Contact)
Fiber construction	9/125 µm

### Connections/interfaces

Connector technology interface 1	SC
Connector technology interface 2	SC
Number of ports interface 1	4
Number of ports interface 2	4
Number of equipped ports interface 1	4
Number of ports interface 2 equipped	4
Number of ports with dust protection interface 2	4
Module plug-in direction	straight
Cable access/outlet	rear, top, bottom, left or right

# OpDAT ADT splice 4xSC-S UPC OS2 Grade B

P/N

1501191U04HC

EAN 4251394639161

2025/06/06

Version: H

## Technical Data

### Electrical/ optical properties

Insertion loss	max. 0,25 dB
Return loss	min. 50 dB

### Mechanical data

Cut-out	SC
Connector type	simplex

### Materials and material properties

Material - Housing	ABS + PC
Material - Lower housing	ABS
Material - Coupler housing	Plastics
Material - Sleeve	ceramic, slotted
Material - Ferrule	Ceramic
RoHS	compliant

### Environmental conditions

Temperature (min. - max.)	
Temperature - Storage °C	-10 °C - 60 °C
Temperature - Storage °F	14 °F - 140 °F
Temperature - Operating °C	-10 °C - 60 °C
Temperature - Operating °F	14 °F - 140 °F
Particulate ingress	IP2X
Liquid ingress/immersion	IPX0

### Standards/Regulations

Generic cabling systems	
General requirements	ISO/IEC 11801-1
FO connector interfaces	IEC 61754-4
Lichtwellenleiter: LWL-Innenkabel	
Sectional specification for class A B single-mode fibres	ISO/IEC 60793-2-50 type B6_a/B6_b
Optical fibers - Interconnecting devices and passive components - basic test and measuring methods	
Fibre optic interconnecting devices and passive components - Insertion loss	IEC 61300-3-4
Fibre optic interconnecting devices and passive components - Return loss	IEC 61300-3-6



Data sheet

Page 4/6

**OpDAT ADT splice 4xSC-S UPC OS2 Grade B**

P/N

1501191U04HC

EAN 4251394639161

2025/06/06

Version: H

**Technical Data****Standards/Regulations**

Optical fibers - Interconnecting devices and passive components - basic test and measuring methods

Fibre optic interconnecting devices and passive components - Visual inspection of plug end face	IEC 61300-3-35
---	----------------

ITU-T standard	ITU-T G.657.A2 and G.657.B2, compatible with ITU-T G.652.D
----------------	--

**Classifications**

ETIM 7.0	EC001409
----------	----------

ETIM 8.0	EC001409
----------	----------

ETIM 9.0	EC001409
----------	----------

**Packing details**

Type of packaging	1 pc(s) / box
-------------------	---------------

**Application note**

This product is a standard product of METZ CONNECT. METZ CONNECT is not aware of the specific intended use of the goods by the Customer or any customers of the Customer. The Customer guarantees that it has fully and sufficiently tested the use of the goods and any product modifications, product changes or product enhancements with regard to the specific intended use in accordance with the state of the art or in any other way. At METZ CONNECT's request, the Customer shall submit and make available meaningful evidence (e.g. test and laboratory protocols, certifications, etc.).



Data sheet

Page 5/6

**OpDAT ADT splice 4xSC-S UPC OS2 Grade B**

P/N

1501191U04HC

EAN 4251394639161

2025/06/06

Version: H

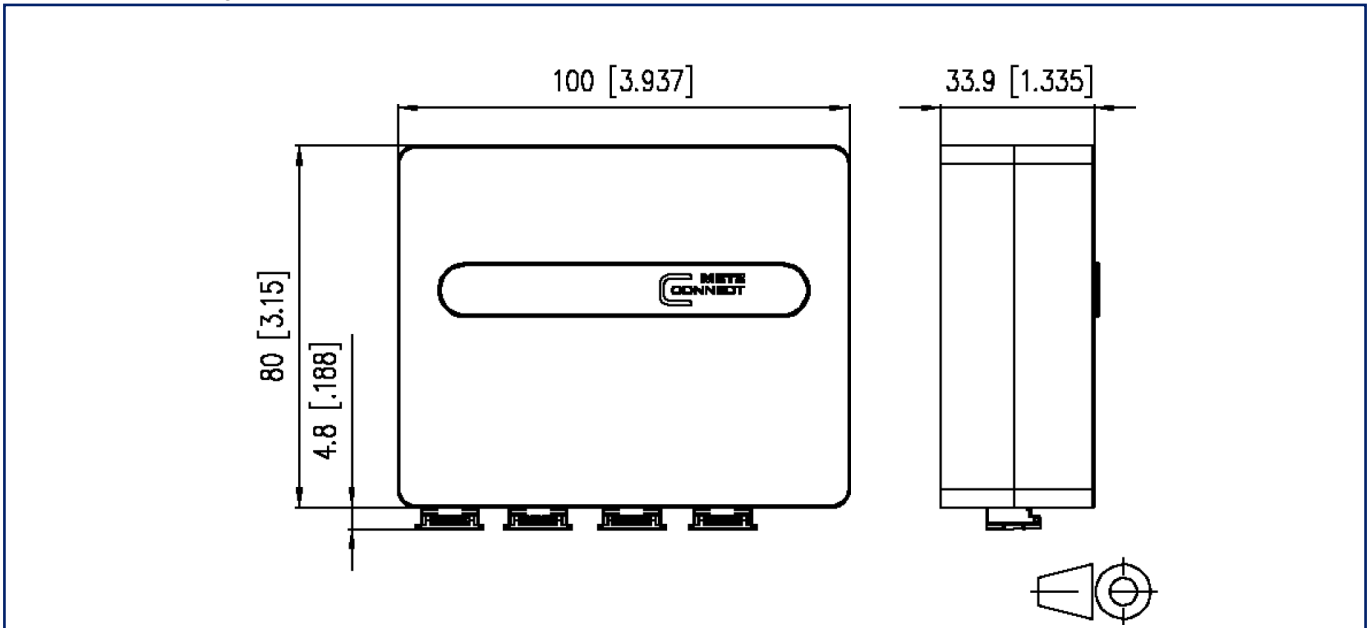
**Accessories**

P/N	Designation
15090304-I	OpDAT splice protection cover for 6 crimp splices
15090401-E	OpDAT crimp splice protection (12 pieces)



## Illustrations

### Dimensional drawing



### Drill pattern

