

Data sheet

DCCS2 subassembly 4 port unequipped

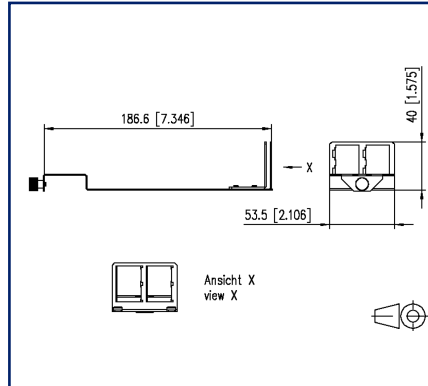
Page 1/5

P/N
130D2CBU4-E
EAN 4250184181293
2025/09/17
Version: I

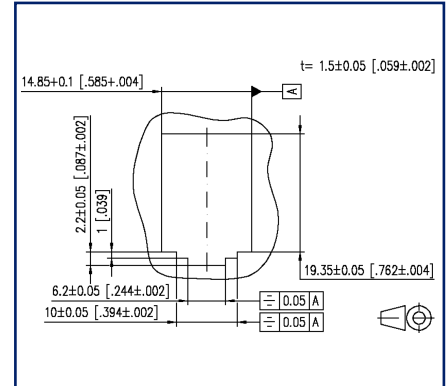
Illustrations



Dimensional drawing



Cut-out



See enlarged drawings at the end of document

Product specification

- DCCS2 4 port subassembly, unequipped for modular termination units in Modul design
- solid stainless steel support
- fastening by a knurled screw in 19-inch subracks
- easy mounting/dismounting to/from 19-inch subracks in 19-inch cabinets (plug and play)
- design: DCCS2
- suitable RJ45 modules: 130B11-E, 130910-I, 130910-I-B1, 130909-I, 130909-I-B1, 130908-I and 130908-I-B1
- suitable RJ45 couplers: 1309A0-I
- suitable fiber optic modules: 15091001-I, 15091070-I, 15091071-I, 15091072-I, 15091075-I and 15091076-I
- suitable KOAX modules: 130898-01-I, 130898-02-I and 130898-03-I
- suitable Blind modules: 130898-00-I and 130898-00-RW-I



DCCS2 subassembly 4 port unequipped

P/N

130D2CBU4-E

EAN 4250184181293

2025/09/17

Version: I

Technical Data

General Data

Fields of application	data center
Mechanical measurement according to MICE	M1
Ingress measurement according to MICE	I1
Climatic measurement according to MICE	C1
Electromagnetic measurement according to MICE	E3
Design	subassembly / assembly / module / unit
Mounting style	DCCS
Color	stainless steel

Connections/interfaces

Number of ports interface 2	4
Number of ports interface 2 equipped	0

Mechanical data

Cut-out	DCCS
strain relief	cable tie

Materials and material properties

Material - Housing	stainless steel
Halogen free	yes
RoHS	compliant

Classifications

ETIM 7.0	EC002697
ETIM 8.0	EC002697
ETIM 9.0	EC002697
ETIM 10.0	EC002697

Packing details

Type of packaging	1 pc(s) / box
-------------------	---------------

Data sheet

Page 3/5

DCCS2 subassembly 4 port unequipped

P/N

130D2CBU4-E**EAN 4250184181293**

2025/09/17

Version: I

Technical Data**Application note**

This product is a standard product of METZ CONNECT. METZ CONNECT is not aware of the specific intended use of the goods by the Customer or any customers of the Customer. The Customer guarantees that it has fully and sufficiently tested the use of the goods and any product modifications, product changes or product enhancements with regard to the specific intended use in accordance with the state of the art or in any other way. At METZ CONNECT's request, the Customer shall submit and make available meaningful evidence (e.g. test and laboratory protocols, certifications, etc.).



DCCS2 subassembly 4 port unequipped

P/N

130D2CBU4-E

EAN 4250184181293

2025/09/17

Version: I

Accessories

P/N	Designation
130898-00-I	BLIND module light gray
130898-00-RW-I	BLIND module pure white
130898-01-I	COAX modul F jack / F jack
130898-02-I	COAX modul IEC jack / F jack
130898-03-I	COAX modul IEC plug / F jack
130908-I-B1	UAE modul Cat.5e white
130909-I	UAE modul Cat.6 jack white
130910-DNV	E-DAT modul Cat.6 _A 8(8) jack DNV
130910-I	E-DAT modul Cat.6 _A 8(8) jack
130910-Z	E-DAT modul Cat.6 _A 8(8) jack, (12 pcs)
1309A0-I	E-DAT modul coupler 8(8) 180° class E _A
130A11-29-I	UAE modul 8(8) Cat.6 _A black
130A11-I	UAE modul 8(8) Cat.6 _A white
130B11-25-E	25Gmodul
130B11-25-Z	25Gmodul (12 pcs)
130B11-DNV	C6 _A modul 180° jack DNV
130B11-E	C6 _A modul 180° jack
130B11-Z	C6 _A modul 180° jack (12 pcs)
130D2B1B-E	DCCS2 BGT 19 inch 1RU subrack black
130D2B1G-E	DCCS2 BGT 19 inch 1RU subrack light gray
130D2B2B-E	DCCS2 BGT 19 inches 1RU subrack black
130D2B2G-E	DCCS2 BGT 19 inches 1RU subrack light gray
15091001-I	OpDAT modul ST OS2
15091071-I	OpDAT modul LC-Duplex OS2
15091072-I	OpDAT modul LC-Duplex OM3
15091075-I	OpDAT modul LC-Duplex OM4
15091076-I	OpDAT modul LC-Duplex APC OS2
1509107B-I	OpDAT modul LC-Duplex MM

DCCS2 subassembly 4 port unequipped

P/N

130D2CBU4-E

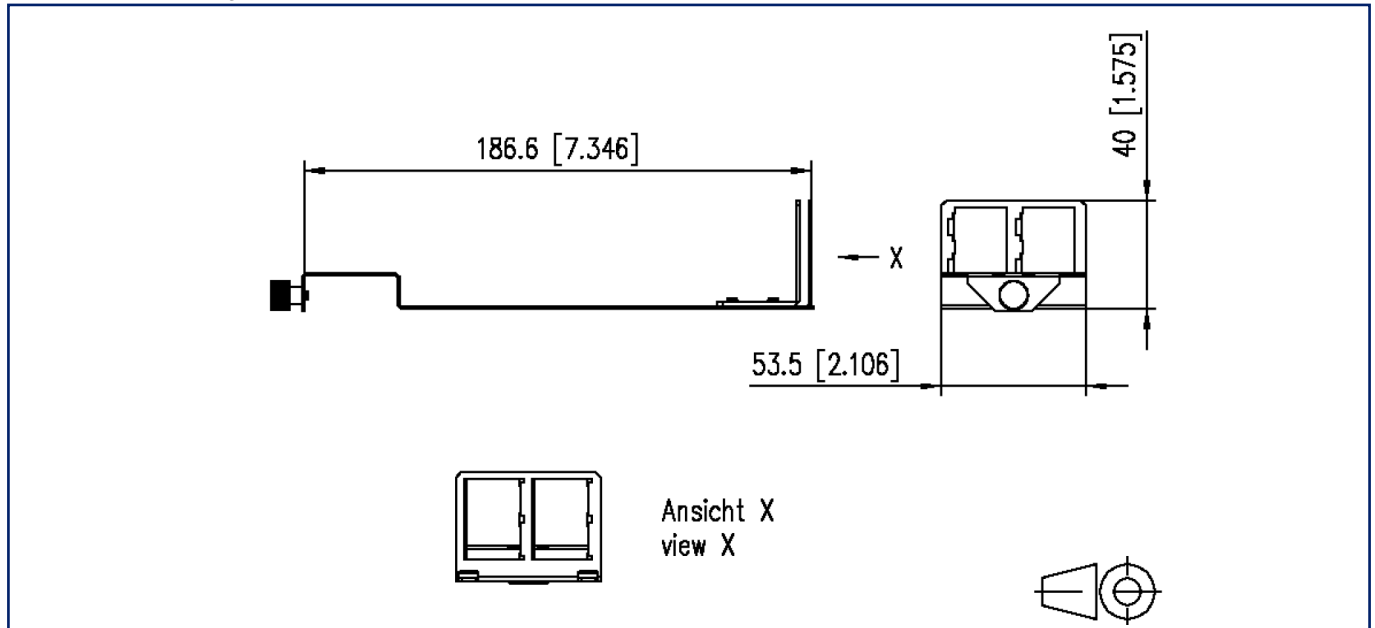
EAN 4250184181293

2025/09/17

Version: I

Illustrations

Dimensional drawing



Cut-out

