

Data sheet

Cover for MC panel gray

Page 1/4

P/N
860211-Z

EAN 4251394676883

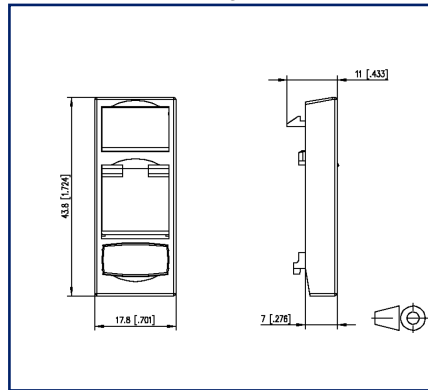
2026/06/12

Version: C

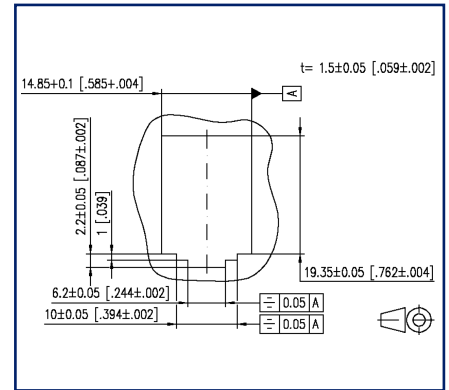
Illustrations



Dimensional drawing



Cut-out



See enlarged drawings at the end of document

Product specification

- Suitable for 130B11P0-E, 130920-E and 130920-00-E



Data sheet
Cover for MC panel gray

P/N
860211-Z
EAN 4251394676883
 2026/06/12
 Version: C

Technical Data

General Data	
Mechanical measurement according to MICE	M1
Ingress measurement according to MICE	I1
Climatic measurement according to MICE	C1
Electromagnetic measurement according to MICE	E3
Design	cover
Color	RAL 7035 - light gray
Dimensions	
Dimension (L x W x H)	43.8 mm x 17.8 mm x 11 mm
Dimension (L x W x H)	1.724 in. x 0.701 in. x 0.433 in.
Weight	3 g
Weight	0.0066 lb

Materials and material properties	
Material	ABS
Material - Label window	PC, transparent
Halogen free	yes
RoHS	compliant

Classifications	
ETIM 8.0	EC002608
ETIM 9.0	EC002608
ETIM 10.0	EC002608

Packing details	
Type of packaging	12 pc(s) / box

Application note

This product is a standard product of METZ CONNECT. METZ CONNECT is not aware of the specific intended use of the goods by the Customer or any customers of the Customer. The Customer guarantees that it has fully and sufficiently tested the use of the goods and any product modifications, product changes or product enhancements with regard to the specific intended use in accordance with the state of the art or in any other way. At METZ CONNECT's request, the Customer shall submit and make available meaningful evidence (e.g. test and laboratory protocols, certifications, etc.).

Data sheet
Cover for MC panel gray

Page 3/4

P/N
860211-Z

EAN 4251394676883

2026/06/12

Version: C

Accessories from

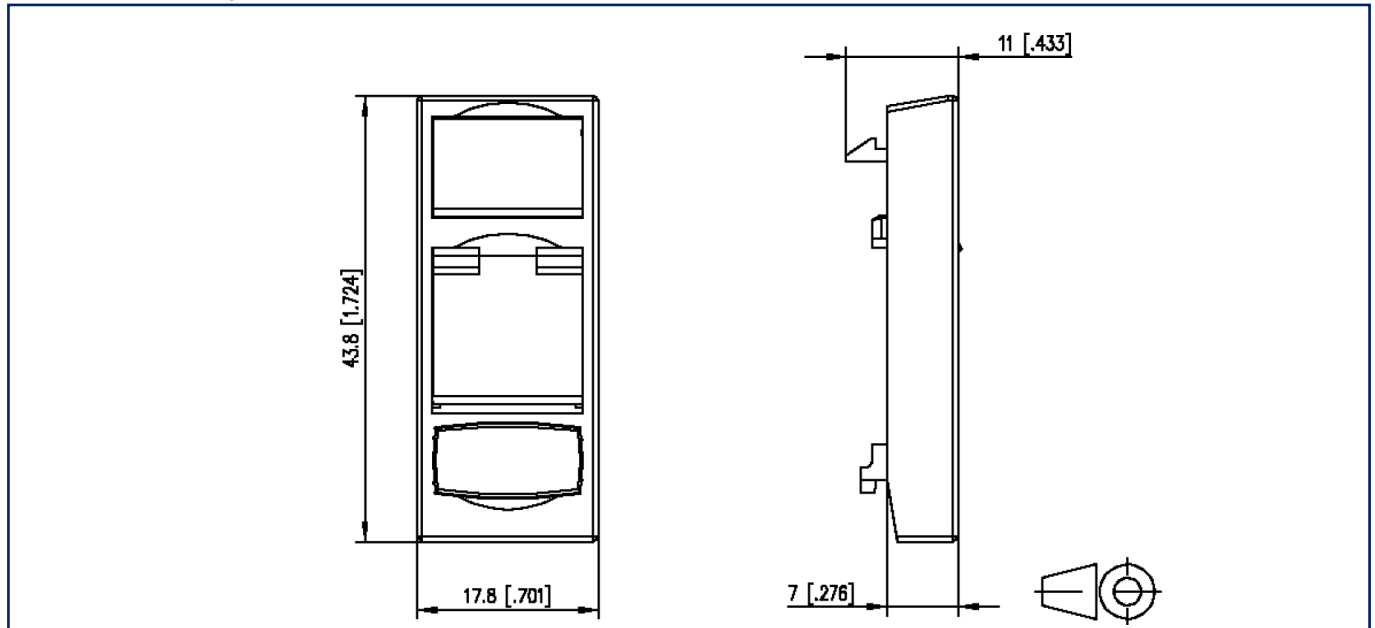
P/N	Designation
130910P6-BKKE	E-DAT modul K 24 port 180° 1RU, black
130920-00-E	Modul 19 inches module frame 1RU 24 Port light gray unequipped, shielded
130920-E	E-DAT modul 24x8(8) 1RU patch panel Cat.6A, light gray
130B11P0-BK-E	C6 _A modul 24 port 180°M 1RU, black
130B11P0-E	C6 _A modul 24 port 180°M 1RU, gray
130B21P0-BKKE	C6 _A modul K 24 port 180° 1RU, black



Data sheet
Cover for MC panel gray

Illustrations

Dimensional drawing



Cut-out

