

Data sheet

OpDAT VGAD UP0 splice 2xLC APC OS2, cable \varnothing 4.5 mm

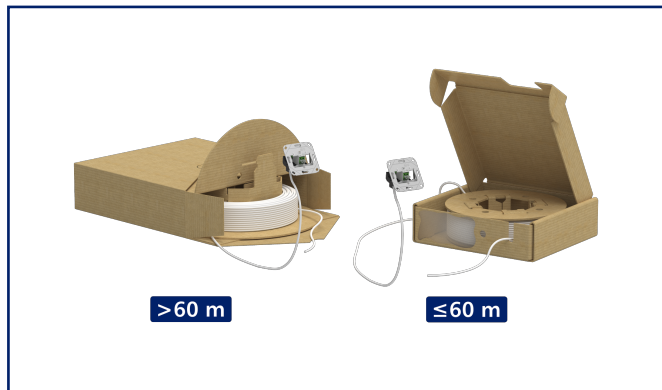
Page 1/4

P/N
150C029DK00XXE

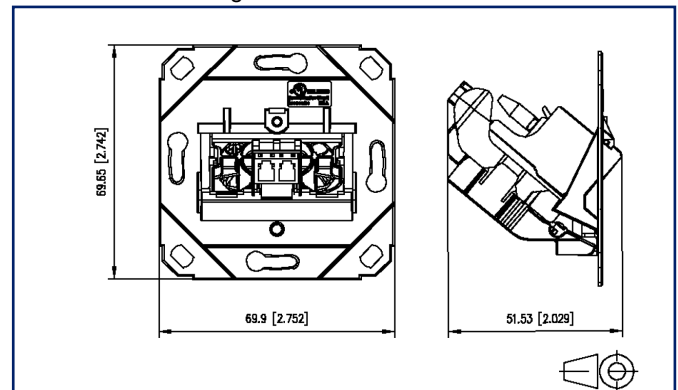
2026/06/10

Version: A

Illustrations



Dimensional drawing



See enlarged drawings at the end of document

Product specification

- Compact fiber optic wall outlet (UP0) for installation in flush-mounted, cavity wall, and raceway boxes with a minimum depth of 45 mm.
- fully designable - compatible with the centre pieces and cover plates from standard switch lines
- Box ready for installation, pre-terminated with singlemode indoor cable and equipped with 1xLC-D-adapters including laser protection for the connection of up to two fiber optic patch cables
- Cable fixed with cable ties and strain-relieved with Kevlar
- The second cable end is open to be inserted, pulled in or blown into empty tubes. Suitable for splicing or for mounting field attachable fiber optic connectors (OpDAT FAST® Hybrid).
- cable easy to mount on carton drum
- quick and easy unwinding of the cable without removing the cable drum from the outer box for cable lengths of 10 - 60 m
- Mini Breakout Cable Compact, white, \varnothing 4.5 mm
- single mode fiber OS2, E9/125 μ m, bend insensitive according to ITU-T G.657.A2, compatible to G.652.D
- all available variants can be created with the configurator

Data sheet

OpDAT VGAD UP0 splice 2xLC APC OS2, cable ø 4.5 mm

P/N
150C029DK00XXE

2026/06/10

Version: A

Technical Data

General Data	
Design	wall outlet
Mounting style	UP0
Mounting in standard flush-mounted and cavity wall cups	yes
Transmission technology	Fiber optic
Compatible with design centerpieces of switch programs	yes, see compatibility list
Dimensions	
Dimension (L x W x H)	69.9 mm x 69.9 mm x 51.5 mm
Dimension (L x W x H)	2.752 in. x 2.752 in. x 2.028 in.
Installation depth	45 mm
Installation depth	1.772 in.
Mode type of the fiber	Singlemode
Fiber class	OS2
Shape	APC (Angled Physical Contact)
Fiber construction	9/125 µm

Connections/interfaces	
Connector technology interface 1	LC APC
Number of ports interface 1	2
Number of equipped ports interface 1	2
Number of ports with dust protection interface 1	2
Cable sheath diameter (min. - max.)	
Cable sheath diameter	4.5 mm
Cable sheath diameter	0.177 in.
Connection cable length	0 m

Electrical/ optical properties	
Insertion loss	max. 0,3 dB

Mechanical data	
strain relief	aramide fibres

Technical Data

Materials and material properties

Material - Housing	Plastics
Material - Supporting frame	GD-Zn
Material - Coupler housing	Plastics
Material - Sleeve	ceramic, slotted
Halogen free	yes
RoHS	compliant

Classifications

ETIM 9.0	EC001409
ETIM 10.0	EC001409

Packing details

Type of packaging	1 pc(s) / box
-------------------	---------------

Application note

This product is a standard product of METZ CONNECT. METZ CONNECT is not aware of the specific intended use of the goods by the Customer or any customers of the Customer. The Customer guarantees that it has fully and sufficiently tested the use of the goods and any product modifications, product changes or product enhancements with regard to the specific intended use in accordance with the state of the art or in any other way. At METZ CONNECT's request, the Customer shall submit and make available meaningful evidence (e.g. test and laboratory protocols, certifications, etc.).

Data sheet

Page 4/4

OpDAT VGAD UP0 splice 2xLC APC OS2, cable \varnothing 4.5 mm

P/N
150C029DK00XXE

2026/06/10
Version: A

Illustrations

Dimensional drawing

