

Data sheet

**PC board jack M12, X-coded, 8-pole, IP67,
90° angled, max. 4 mm wall thickness, in individual parts**

P/N
MMT471A315-0004
EAN 4250184169512
2026/05/20
Version: P

Technical Data

General Data

Dimensions	
Dimension (L x W x H)	30.65 mm x 16.82 mm x 18.95 mm
Dimension (L x W x H)	1.207 in. x 0.662 in. x 0.746 in.
Jack	M12
Coding	X-coded
For wall thickness (mm)	4 mm
For wall thickness (inch)	0.157 in.

Electrical characteristics

Rated voltage	50 V AC / 60 V DC
Effective value of the withstand voltage	0.5 kV
Nominal current at 50 °C	max. 0.5 A
Insulation resistance	min. 100 MOhm
Overvoltage category	II
Degree of pollution	2

Mechanical data

Material	
Material - Housing	CuZnPb
Material - Contact	CuZnPb
Contact surface	Ni + Au
Life - Number of mating cycles	>= 100
Tightening torque - Plug	0,6 - 1 Nm
Tightening torque - Jack mounting	3 Nm +/- 0,5 Nm (see illustration at the end of the data sheet)
Protection category	IP67 when plugged in

Climatic properties

Temperature - Operating °C	-40 °C - 85 °C
Temperature - Operating °F	-40 °F - 185 °F

© 2026 METZ CONNECT - Technische Änderungen vorbehalten! Subject to modifications! Sous réserve de modifications techniques!

Data sheet

Page 3/7

**PC board jack M12, X-coded, 8-pole, IP67,
90° angled, max. 4 mm wall thickness, in individual parts**

P/N
MMT471A315-0004
EAN 4250184169512
2026/05/20
Version: P

Technical Data

Approvals

Approval mark UL/CSA	E178484
----------------------	---------

Packaging

Type of packaging	5 pc(s) / blister packaging
-------------------	-----------------------------

Standards/Regulations

Railway applications	
Insulating body	PA UL 94 V0 complies with HL1-HL3; R26 according to EN 45545-2:2020+A1:2023
Flammable mass (g)	0.62 g
Sealings	Elastomer
Flammable mass (g)	0.17 g

Classifications

ETIM 7.0	EC002637
ETIM 8.0	EC002637
ETIM 9.0	EC002637
ETIM 10.0	EC002637

Application note

This product is a standard product of METZ CONNECT. METZ CONNECT is not aware of the specific intended use of the goods by the Customer or any customers of the Customer. The Customer guarantees that it has fully and sufficiently tested the use of the goods and any product modifications, product changes or product enhancements with regard to the specific intended use in accordance with the state of the art or in any other way. At METZ CONNECT's request, the Customer shall submit and make available meaningful evidence (e.g. test and laboratory protocols, certifications, etc.).

Data sheet

Page 4/7

**PC board jack M12, X-coded, 8-pole, IP67,
90° angled, max. 4 mm wall thickness, in individual parts**

P/N
MMT471A315-0004
EAN 4250184169512
2026/05/20
Version: P

Accessories

P/N	Designation
700701	M12 screw plug for jacks IP54

Data sheet

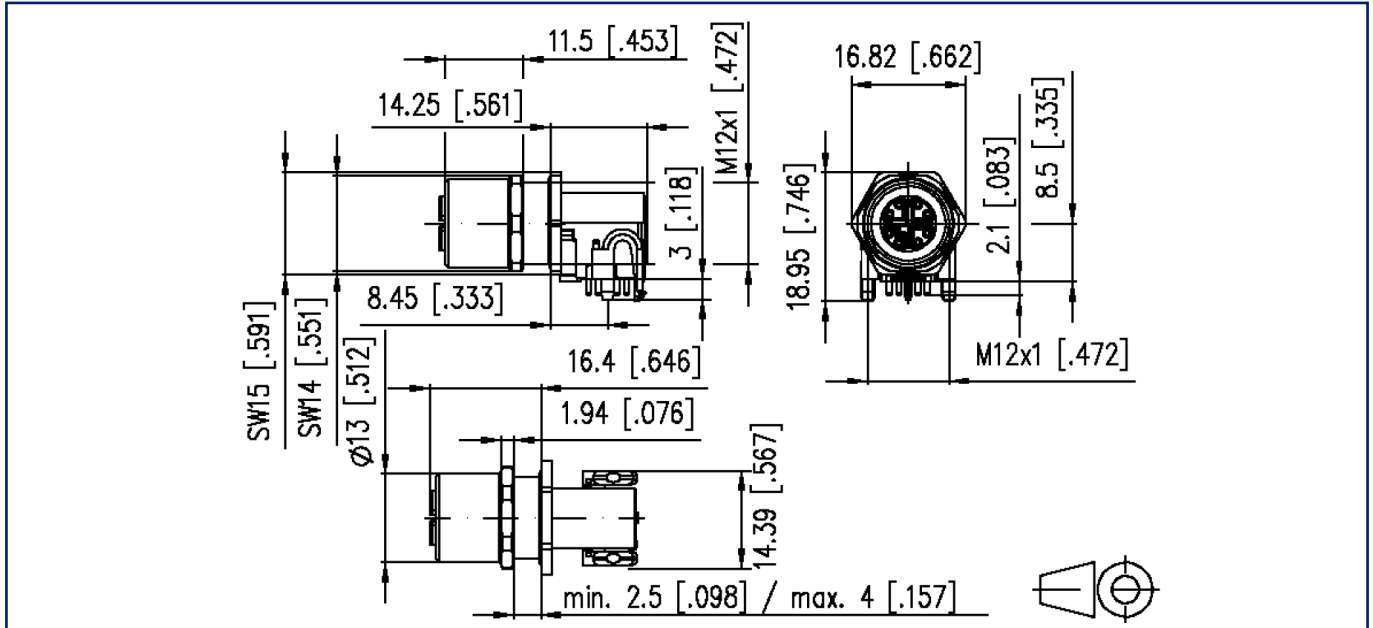
Page 5/7

**PC board jack M12, X-coded, 8-pole, IP67,
90° angled, max. 4 mm wall thickness, in individual parts**

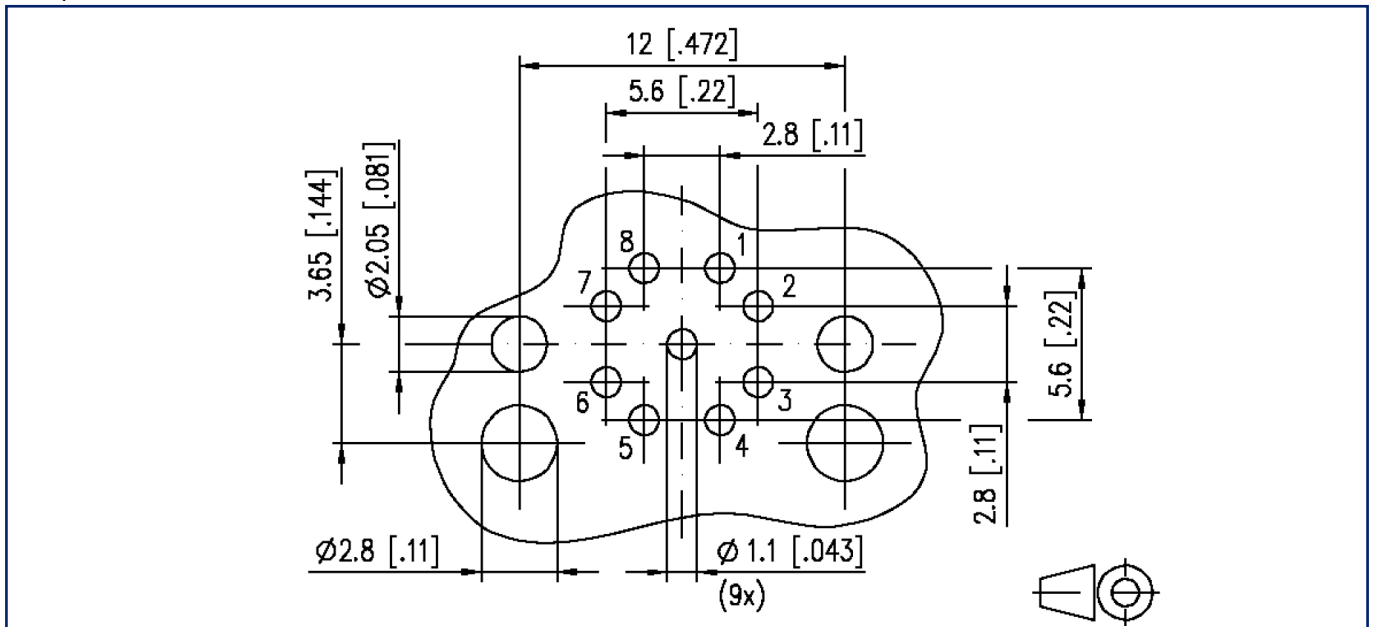
P/N
MMT471A315-0004
EAN 4250184169512
2026/05/20
Version: P

Illustrations

Dimensional drawing



Drill pattern



Data sheet

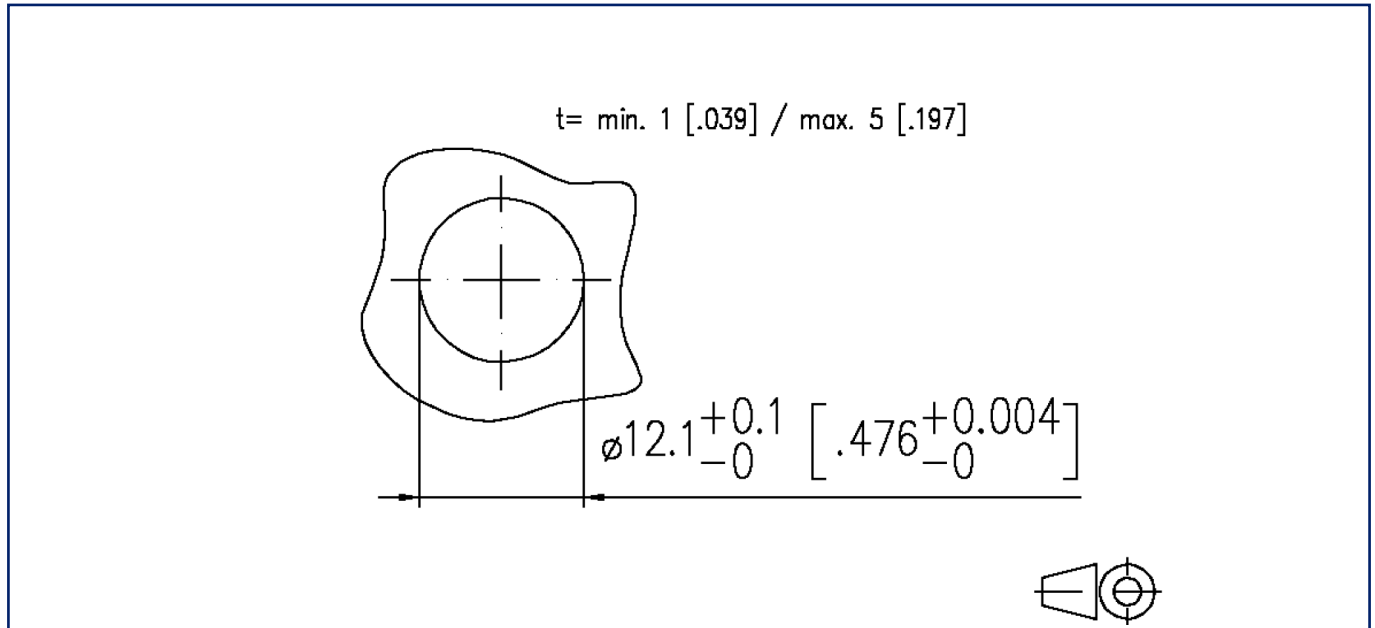
Page 6/7

**PC board jack M12, X-coded, 8-pole, IP67,
90° angled, max. 4 mm wall thickness, in individual parts**

P/N
MMT471A315-0004
EAN 4250184169512
2026/05/20
Version: P

Illustrations

Cut-out



Data sheet

Page 7/7

**PC board jack M12, X-coded, 8-pole, IP67,
90° angled, max. 4 mm wall thickness, in individual parts**

P/N

MMT471A315-0004

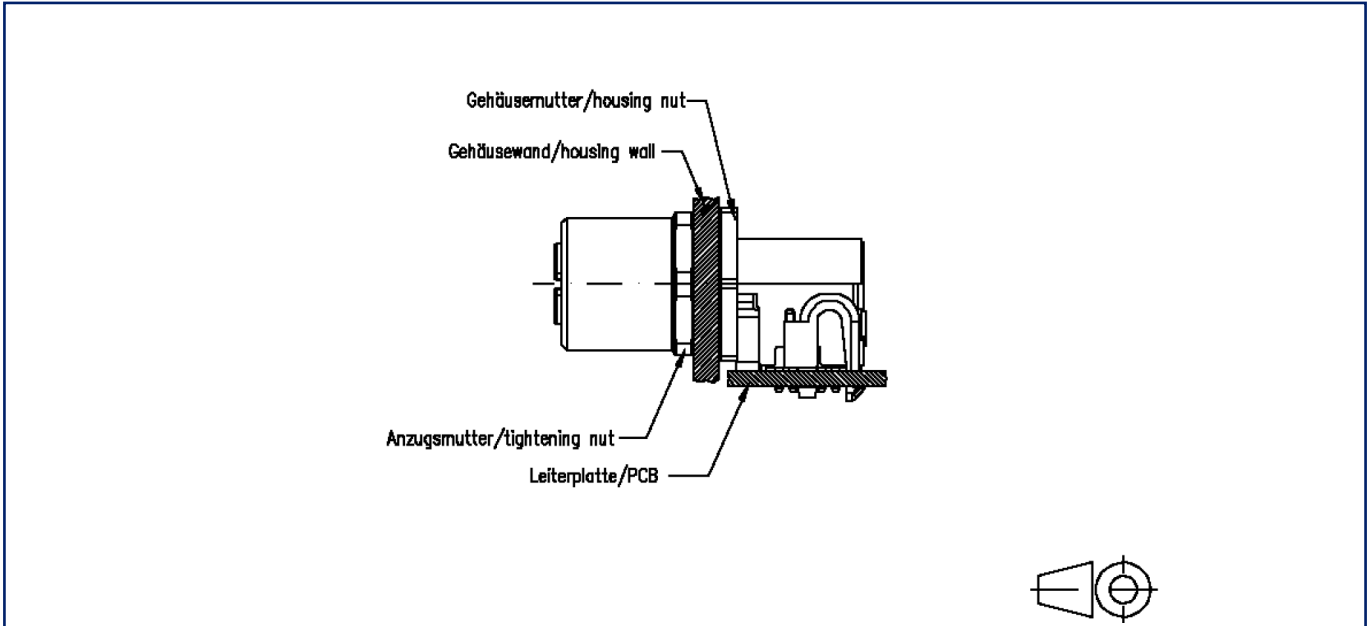
EAN 4250184169512

2026/05/20

Version: P

Illustrations

Mounting instruction



Tightening torque - Jack mounting

3 Nm +/- 0,5 Nm (Measured between tightening nut and housing nut)

