

Data sheet

PC board jack M12, D-coded, 4-pole, IP67, in individual parts

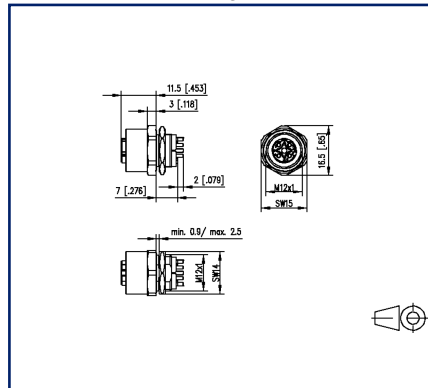
Page 1/5

P/N
MMT361A115-0001
EAN 4251394621951
2026/05/20

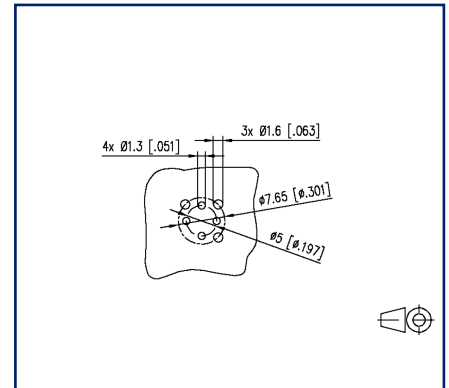
Illustrations



Dimensional drawing



Drill pattern



See enlarged drawings at the end of document

Product specification

- PC board jack M12
- Cat.5
- 4-pole, D-coded according to IEC 61076-02-101
- for 100 MBit Fast Ethernet (IEEE 802.3an)
- THR solderable
- Top entry
- Contact carriers green
- IP67 when plugged in
- in individual parts
- suitable for applications in the railway industry according to data sheet



**PC board jack M12, D-coded, 4-pole, IP67,
in individual parts**

P/N
MMT361A115-0001
EAN 4251394621951
2026/05/20

Technical Data

General Data

| | |
|-------------------|----------------------|
| Dimensions | |
| Dimension (D x H) | Ø 16.5 mm x 20.5 mm |
| Dimension (D x H) | 0.65 in. x 0.807 in. |
| Ports | Single port |
| Coding | D-coded |

Electrical characteristics

| | |
|--|---------------|
| Rated voltage | 250 V |
| Effective value of the withstand voltage | 1.4 kV |
| Current carrying capacity at 40 °C | 4 A |
| Insulation resistance | min. 100 MOhm |
| Overvoltage category | II |
| Degree of pollution | 2 |

Mechanical data

| | |
|-----------------------------------|----------------------|
| Material | |
| Material - Housing | CuZnPb |
| Material - Contact | CuZnPb |
| Contact surface | Ni + Au |
| Shield material | CuSn |
| Color | metallike |
| Life - Number of mating cycles | >= 100 |
| Tightening torque - Plug | 0,6 - 1 Nm |
| Tightening torque - Jack mounting | 3 Nm +/- 0,5 Nm |
| Protection category | IP67 when plugged in |

Climatic properties

| | |
|----------------------------|-----------------|
| Temperature - Operating °C | -40 °C - 85 °C |
| Temperature - Operating °F | -40 °F - 185 °F |

Data sheet

Page 3/5

**PC board jack M12, D-coded, 4-pole, IP67,
in individual parts**

P/N
MMT361A115-0001
EAN 4251394621951
2026/05/20

Technical Data

Approvals

| | |
|----------------------|---------|
| Approval mark UL/CSA | E305050 |
|----------------------|---------|

Packaging

| | |
|-------------------|------------------------------|
| Type of packaging | 10 pc(s) / blister packaging |
|-------------------|------------------------------|

Standards/Regulations

Railway applications

| | |
|--------------------|---|
| Insulating body | PA UL 94 V0 complies with HL1-HL3; R26 according to EN 45545-2:2020+A1:2023 |
| Flammable mass (g) | 0.62 g |
| Sealings | Elastomer |
| Flammable mass (g) | 0.06 g |

Classifications

| | |
|-----------|----------|
| ETIM 7.0 | EC002637 |
| ETIM 8.0 | EC002637 |
| ETIM 9.0 | EC002637 |
| ETIM 10.0 | EC002637 |

Application note

This product is a standard product of METZ CONNECT. METZ CONNECT is not aware of the specific intended use of the goods by the Customer or any customers of the Customer. The Customer guarantees that it has fully and sufficiently tested the use of the goods and any product modifications, product changes or product enhancements with regard to the specific intended use in accordance with the state of the art or in any other way. At METZ CONNECT's request, the Customer shall submit and make available meaningful evidence (e.g. test and laboratory protocols, certifications, etc.).

Data sheet

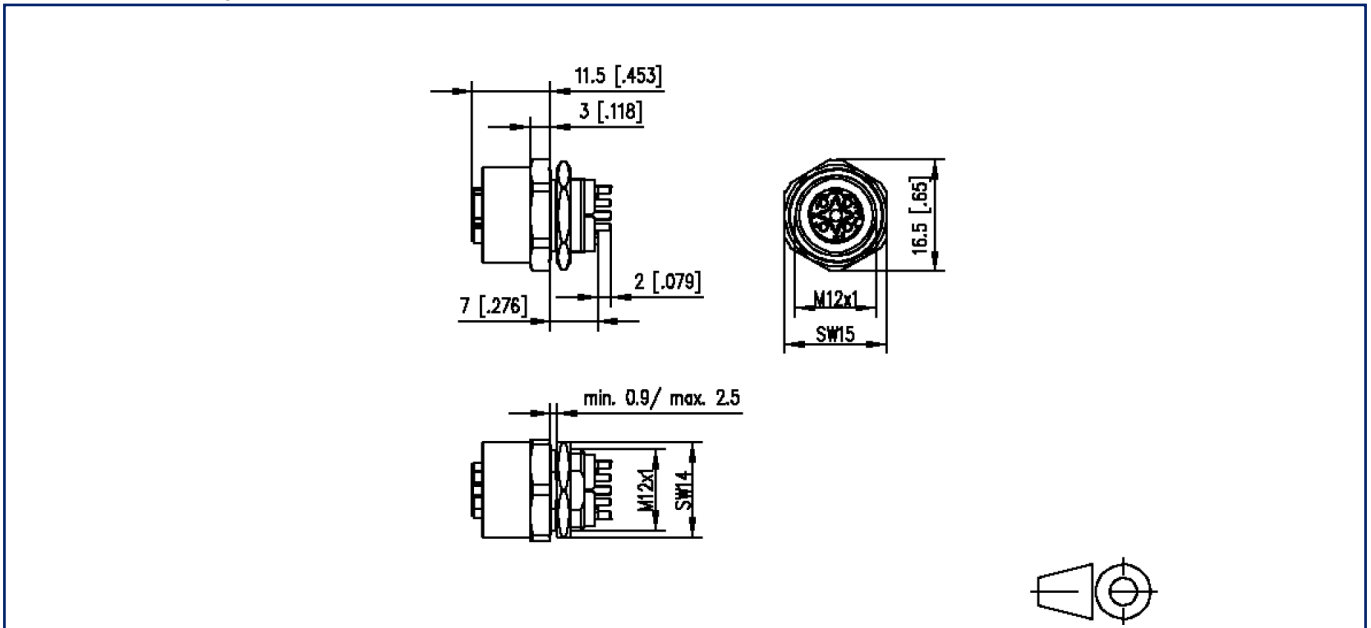
Page 4/5

**PC board jack M12, D-coded, 4-pole, IP67,
in individual parts**

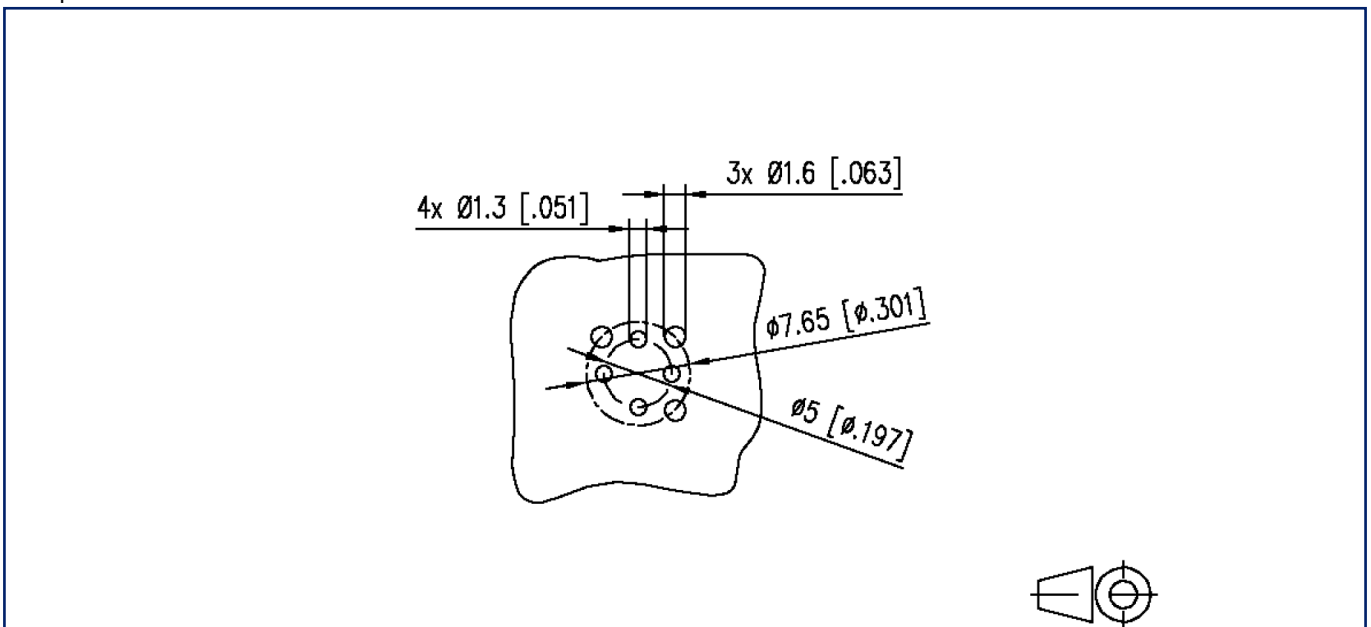
P/N
MMT361A115-0001
EAN 4251394621951
2026/05/20

Illustrations

Dimensional drawing



Drill pattern



Data sheet

Page 5/5

**PC board jack M12, D-coded, 4-pole, IP67,
in individual parts**

P/N
MMT361A115-0001
EAN 4251394621951
2026/05/20

Illustrations

Cut-out

