

Data sheet

PR07503HBEL Type 337

Page 1/7

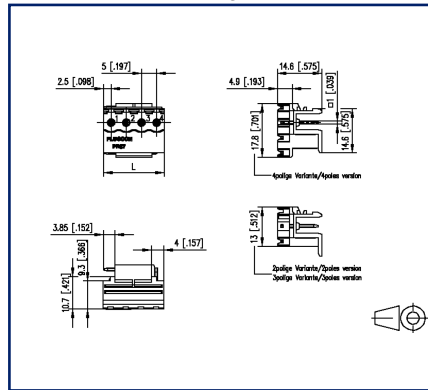
P/N
3133710357

2026/04/27

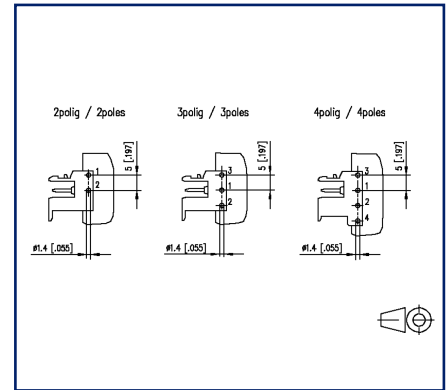
Illustrations



Dimensional drawing as an example



Drill pattern as an example



See enlarged drawings at the end of document

Product specification



- pin header, THR solderable
- centerline 5.00 mm, direction of connection 90°
- open ends, fittable without loss of poles
- color black
- Tape & Reel packaging possible
- codeable, connection left side, pluggable for module housing

Technical Data

General Data

| | | | |
|---------------------------|---------|-------|-------|
| Solder pin length | 3.85 mm | | |
| pole size | 3 | | |
| Insulating material class | CTI 600 | | |
| clearance/creepage dist. | 3.2 mm | | |
| Protection category | IP00 | | |
| Rated current | 12 A | | |
| Overvoltage category | III | III | II |
| Pollution degree | 3 | 2 | 2 |
| Rated voltage | 250 V | 630 V | 630 V |
| Rated test voltage | 4 kV | 4 kV | 4 kV |

Approvals

| | |
|---|------------------------------------|
|  V / A | 300 / 17 |
| approval UL - File No. | E121004 |
|  | 250 V / 4 kV / 12 A / 1.0 x 1.0 mm |

Material

| | |
|-----------------------------|-------------------------------|
| insulating material | PA66/6T |
| flammability class | V0 |
| contact pin material | CuZn |
| contact pin surface | Ni + Sn |
| Glow-Wire Flammability GWFI | 960 °C acc. to IEC 60695-2-12 |
| Glow-Wire Flammability GWIT | 775 °C acc. to IEC 60695-2-13 |
| Ball pressure test | 125 °C acc. to IEC 60695-10-2 |

Climatic Data

| | |
|-------------------------|--------|
| upper limit temperature | 125 °C |
| lower limit temperature | -40 °C |

general

| | |
|---------------|--------------|
| Tolerance | ISO 2768 -cH |
| Solderability | reflowable |

Application note

Data sheet

Page 3/7

PR07503HBEL Type 337

P/N
3133710357

2026/04/27

Technical Data

This product is a standard product of METZ CONNECT. METZ CONNECT is not aware of the specific intended use of the goods by the Customer or any customers of the Customer. The Customer guarantees that it has fully and sufficiently tested the use of the goods and any product modifications, product changes or product enhancements with regard to the specific intended use in accordance with the state of the art or in any other way. At METZ CONNECT's request, the Customer shall submit and make available meaningful evidence (e.g. test and laboratory protocols, certifications, etc.).



Data sheet
PR07503HBEL Type 337

Page 4/7

P/N
3133710357

2026/04/27

Accessories

| P/N | Designation |
|-------------|-------------------------------|
| 700024-01-5 | Kodierstern blau F_Kodier_blp |
| 700024-01-9 | Coding star white |



Data sheet
PR07503HBEL Type 337

Page 5/7

P/N
3133710357

2026/04/27

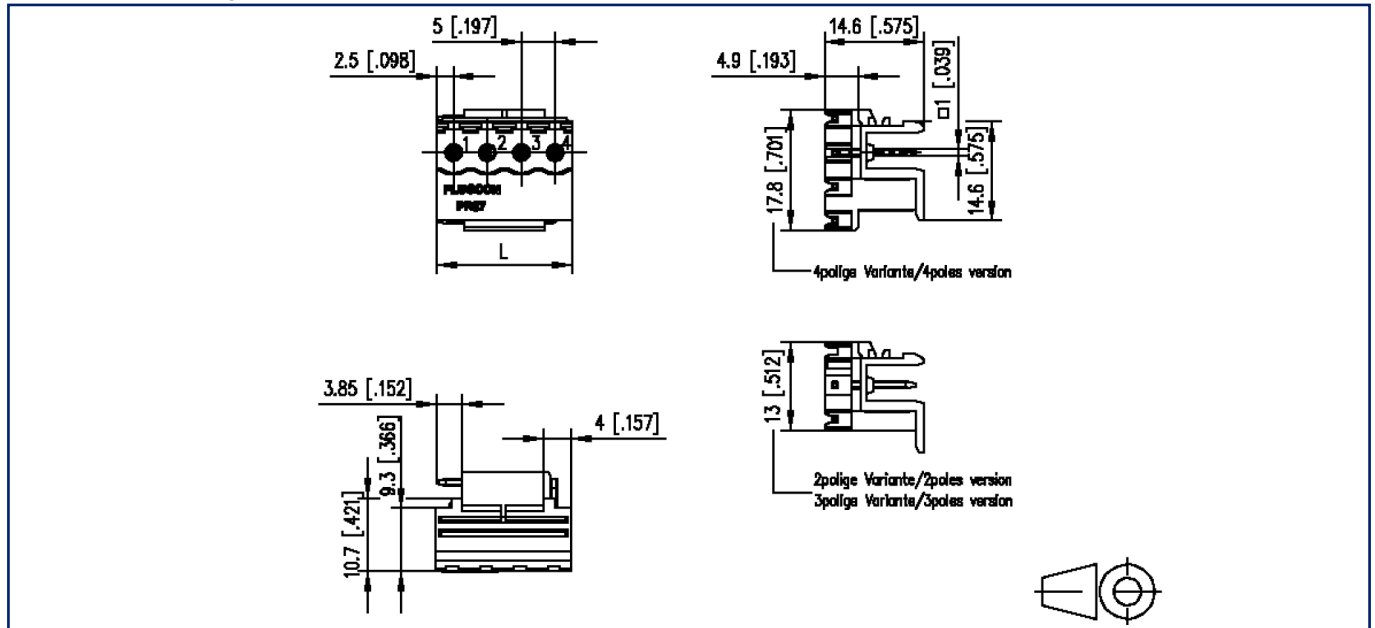
Counterpart of

| P/N | Designation |
|------------|--------------------------------|
| 31348103 | RP08503VBLC (Type 348), 3-pole |
| ASP0450322 | SP04503VBNC ASP045 |



Illustrations

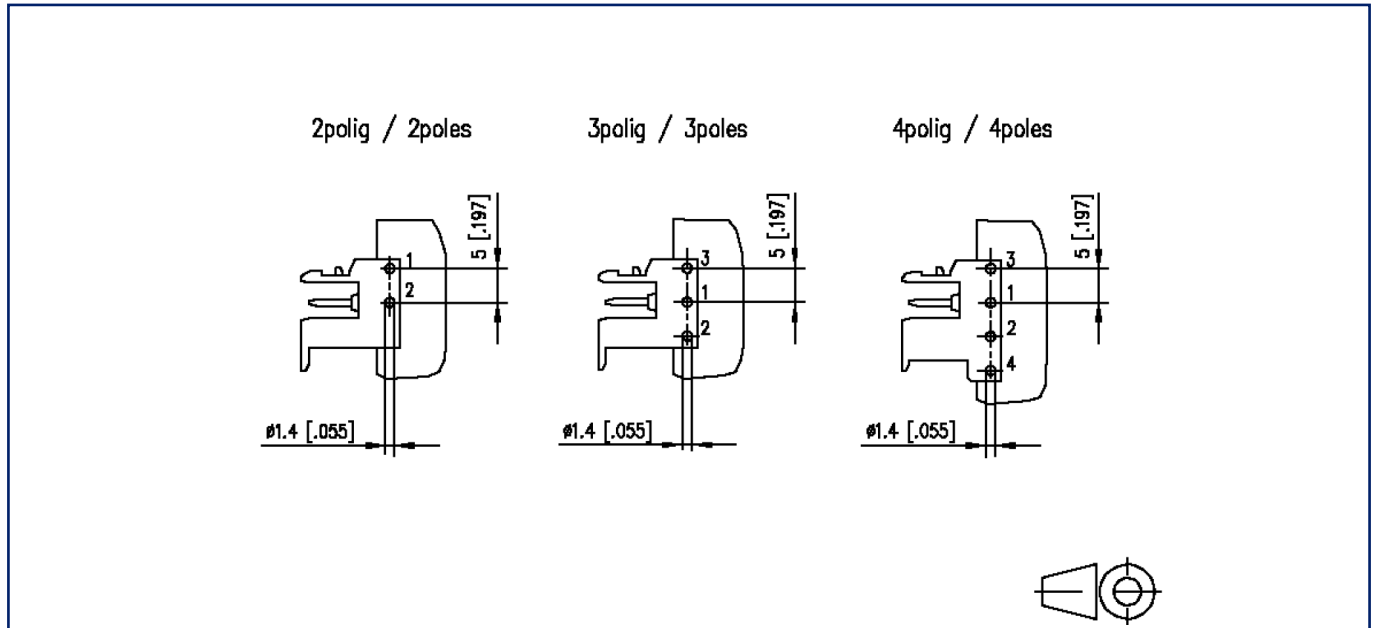
Dimensional drawing as an example



$L = (\text{pole size} - 1) \times \text{centerline} + 5 \text{ mm } [0.197]$

Illustrations

Drill pattern as an example



© 2026 METZ CONNECT - Technische Änderungen vorbehalten! Subject to modifications! Sous réserve de modifications techniques!

