

# Data sheet

## FT085xxVBFC Type 026

Page 1/5

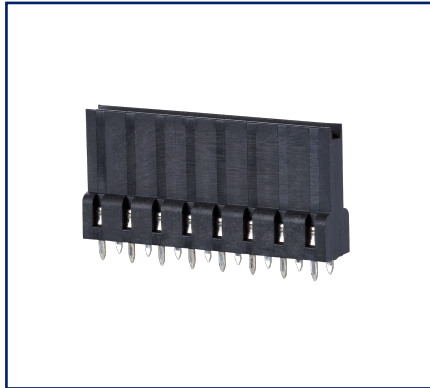
P/N  
310261xx

xx=number of poles

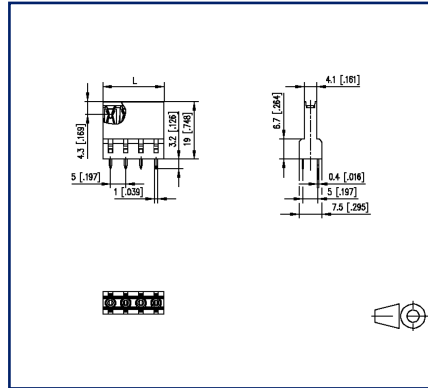
2025/08/21

Version: Y

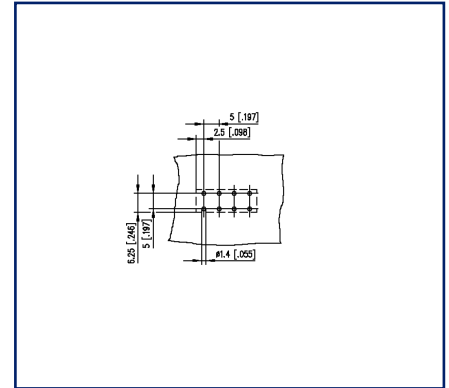
### Illustrations



Dimensional drawing as an example



Drill pattern as an example



See enlarged drawings at the end of document

### Product specification

- female connector, solderable, double solder pins
- centerline 5.00 mm, direction of connection vertical 0°
- fittable without loss of poles
- color black
- board-to-board connection with headers centerline 5.00 mm / 0.197 inches possible




**Data sheet**  
**FT085xxVBFC Type 026**

**Technical Data**

General Data			
Solder pin length	3.2 mm		
min. number of poles	2		
max. number of poles	16		
Insulating material class	CTI 600		
clearance/creepage dist.	4 mm		
Protection category	IP20		
Insul. strip length	12 mm		
Rated current	5 A		
Overvoltage category	III	III	II
Pollution degree	3	2	2
Rated voltage	320 V	800 V	800 V
Rated test voltage	6 kV	6 kV	6 kV

**Approvals**

	250 V / 4 kV / 6 A
---	--------------------

**Material**

insulating material	PA66
flammability class	V0
contact material	CuSn
Contact surface	Sn
Glow-Wire Flammability GWFI	960 °C acc. to IEC 60695-2-12
Glow-Wire Flammability GWIT	775 °C acc. to IEC 60695-2-13

**Climatic Data**

upper limit temperature	105 °C
lower limit temperature	-40 °C

**general**

Tolerance	ISO 2768 -mH
Solderability	Acc. to JEDEC JESD22-B102E 245°C/5s

**Application note**

This product is a standard product of METZ CONNECT. METZ CONNECT is not aware of the specific intended use of the goods by the Customer or any customers of the Customer. The Customer guarantees that it has fully and sufficiently tested the use of the goods and any product modifications, product changes or product enhancements with regard to the specific intended use in accordance with the state of the art or in any other way. At METZ CONNECT's request, the Customer shall submit and make available meaningful evidence (e.g. test and laboratory protocols, certifications, etc.).

Data sheet  
**FT085xxVBFC Type 026**

Page 3/5

P/N  
**310261xx**

**xx=number of poles**

2025/08/21

Version: Y

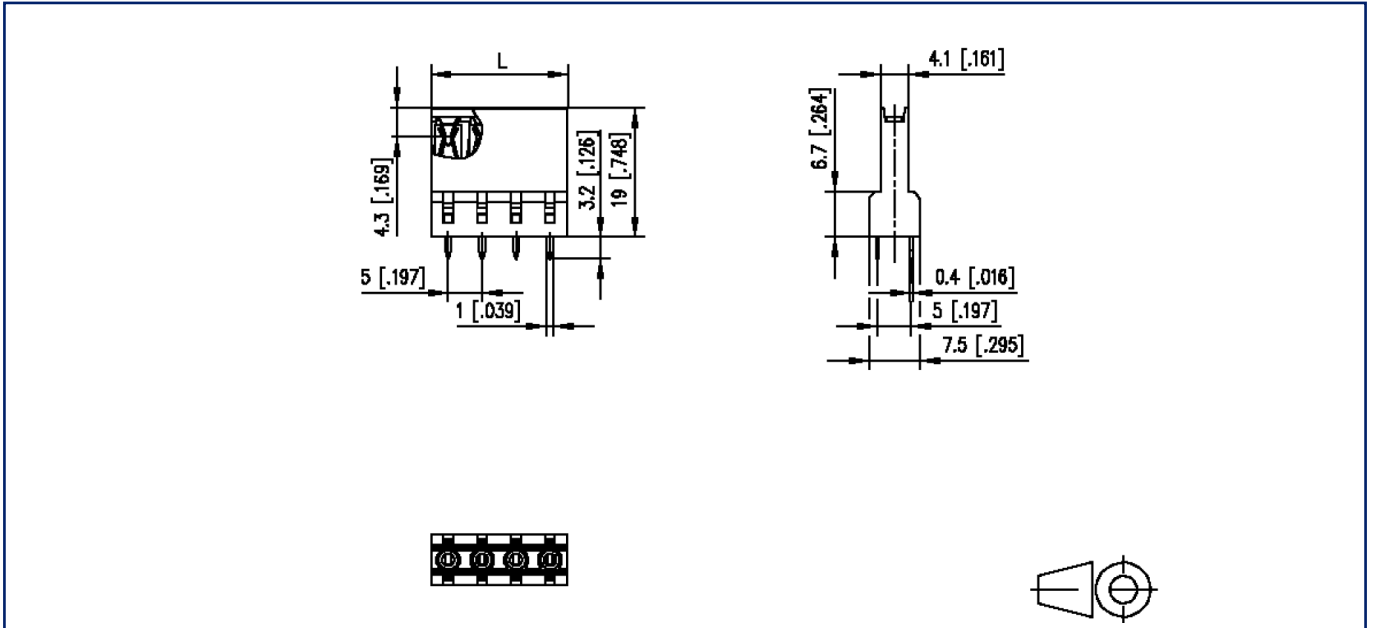
### Counterpart

P/N	Designation
310171	PR015xxVBHC Type 017
310191	PT045xxVBEC Type 019
310201	PT045xxVBBN Type 020
310271	PR015xxVBVC Type 027
310291	PT045xxHBEC Type 029
310301	PT045xxHBBN Type 030
310311	PT045xxHBVC Typ 031
310321	PT045xxHBVN Typ 032
310391	PT055xxHBHC Type 039



### Illustrations

Dimensional drawing as an example



$L = (\text{pole size} - 1) \times \text{centerline} + 5 \text{ mm } [0.197]$



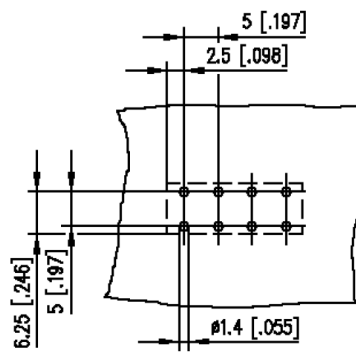
Data sheet  
**FT085xxVBFC Type 026**

Page 5/5

P/N  
**310261xx**  
xx=number of poles  
2025/08/21  
Version: Y

**Illustrations**

Drill pattern as an example



© 2025 METZ CONNECT - Technische Änderungen vorbehalten! Subject to modifications! Sous réserve de modifications techniques!

