

# Data sheet

## OpDAT CM 19 inches/3RU subrack

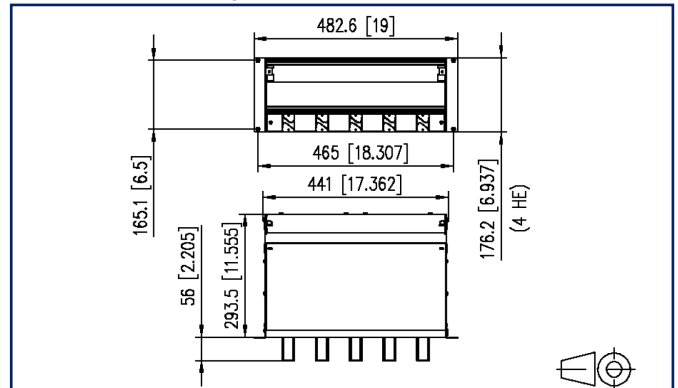
Page 1/4

P/N  
1528SBGT19-E  
EAN 4250184181477  
2025/10/21  
Version: G

### Illustrations



Dimensional drawing



See enlarged drawings at the end of document

### Product specification

- Aluminum subrack frame (19 inch/3+1RU/84HP) with integrated transfer tray (1RU) to be mounted in 19-inch racks
- Accepts up to 12 compact modules 3RU/7HP with up to 288 ports on 3RU
- Transfer tray to accommodate loose tube excess lengths and to store unused loose tubes, can be pulled-out backwards, with cable manager and 5 cable brackets
- With protection plate for the entry section of the loose tubes
- Fixing dimension: 465 mm (18.307 in.)
- Mounting dimension: WxHxD 19 inch x 4RU x 295 mm



# OpDAT CM 19 inches/3RU subrack

P/N

1528SBGT19-E

EAN 4250184181477

2025/10/21

Version: G

## Technical Data

### General Data

Fields of application	structured building cabling data center
Mechanical measurement according to MICE	M1
Ingress measurement according to MICE	I1
Climatic measurement according to MICE	C1
Electromagnetic measurement according to MICE	E3
Design	Subrack
Color	metallike
Dimensions	
Dimension (L x W x H)	293.5 mm x 482.6 mm x 176.2 mm
Dimension (L x W x H)	11.555 in. x 19 in. x 6.937 in.
Inches	19 inches
Height unit	3RU

### Materials and material properties

Material - Housing	Al (Aluminium)
Halogen free	yes
RoHS	compliant

### Classifications

ETIM 7.0	EC000058
ETIM 8.0	EC000058
ETIM 9.0	EC000058
ETIM 10.0	EC000058

### Application note

This product is a standard product of METZ CONNECT. METZ CONNECT is not aware of the specific intended use of the goods by the Customer or any customers of the Customer. The Customer guarantees that it has fully and sufficiently tested the use of the goods and any product modifications, product changes or product enhancements with regard to the specific intended use in accordance with the state of the art or in any other way. At METZ CONNECT's request, the Customer shall submit and make available meaningful evidence (e.g. test and laboratory protocols, certifications, etc.).

# OpDAT CM 19 inches/3RU subrack

P/N

1528SBGT19-E

EAN 4250184181477

2025/10/21

Version: G

## Accessories

P/N	Designation
130792	Mounting kit, cage nuts M6
130810-01-E	Cover plate 3RU/7HP
130894-BS-29-E	Label strip for cable manager 19 inches/1RU RAL 9005
130B10E2-E	Module frame 3RU, 7HP 6 port, aluminum, unequipped
130B10E2E-E	Modul module frame 3RU, 7HP 6 port stainless steel unequipped
150811M20-E	Cable gland M20 (Clamping range 7.0 to 12.0 mm)
150811M25-E	Cable gland M25 (Clamping range 10.0 to 16.0 mm)
15090401-E	OpDAT crimp splice protection (12 pieces)
1528S071061E	OpDAT CM 6xLC-Q OS2 Prefab
1528S074061E	OpDAT CM 6xLC-D OS2 Prefab
1528S075061E	OpDAT CM 6xLC-D OM4 Prefab
1528S076061E	OpDAT CM 6xLC-D APC OS2 Prefab
1528S077061E	OpDAT CM 6xLC-D OM3 Prefab
1528S079061E	OpDAT CM 6xLC-Q OM4 Prefab
1528S07A061E	OpDAT CM 6xLC-Q APC OS2 Prefab
1528S0BA061E	OpDAT CM 6xSC-D OM3 Prefab
1528S0BB061E	OpDAT CM 6xSC-D OM4 Prefab
1528S0BM061E	OpDAT CM 6xSC-D OM5 Prefab
1528S5BA061E	OpDAT CM 6xSC-D OM3 splice
1528S7BB061E	OpDAT CM 6xSC-D OM4 splice
1528S8BM061E	OpDAT CM 6xSC-D OM5 splice
1528SZ001-E	OpDAT CM Accessories kit 1
1528SZ002-E	OpDAT CM Accessories kit 2

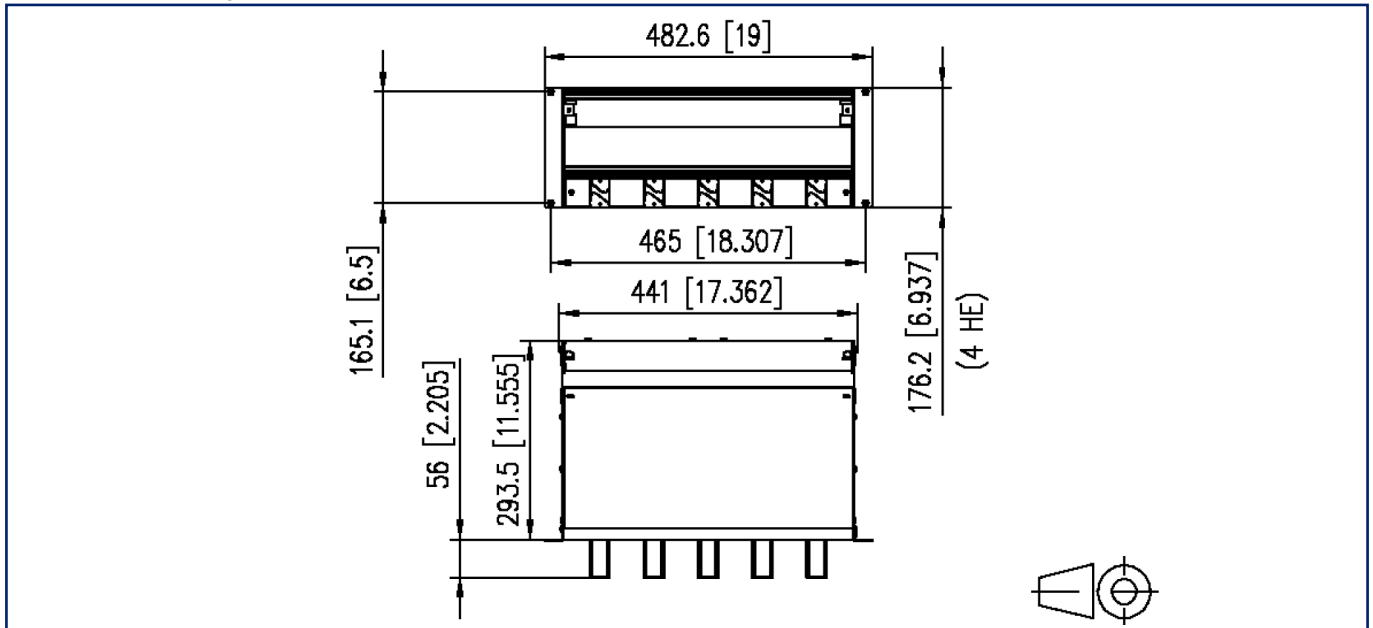
Data sheet  
OpDAT CM 19 inches/3RU subrack

Page 4/4

P/N  
1528SBGT19-E  
EAN 4250184181477  
2025/10/21  
Version: G

**Illustrations**

Dimensional drawing



© 2025 METZ CONNECT - Technische Änderungen vorbehalten! Subject to modifications! Sous réserve de modifications techniques!

