

# Data sheet

## OpDAT CM 6xSC-D OM3 Prefab

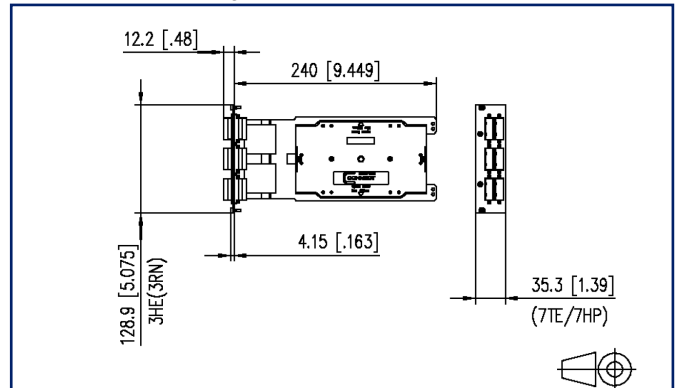
Page 1/6

P/N  
1528S0BA061E  
EAN 4251394671239  
2025/07/24  
Version: F

### Illustrations



Dimensional drawing



See enlarged drawings at the end of document

### Product specification

- compact module OpDAT CM 6xSC-D 3RU/HP
- fully equipped with 6 SC-D adapters
- for installation of pre-assembled cables
- front panel made of silver anodized aluminum, with numbered adapter positions
- mounting plate made of steel, overlength tray with a cover
- fixing in the subassembly frame by captive screws
- variants: equipped with SC-D adapters in blue (OS2), green (OS2 APC), lime green (OM5), violet (OM4) or aqua (OM3)



**Data sheet**  
**OpDAT CM 6xSC-D OM3 Prefab**

**P/N**  
**1528S0BA061E**  
**EAN 4251394671239**  
2025/07/24  
Version: F

**Technical Data**

**General Data**

Fields of application	structured building cabling office areas data center
Mechanical measurement according to MICE	M1
Ingress measurement according to MICE	I1
Climatic measurement according to MICE	C1
Electromagnetic measurement according to MICE	E3
Design	Compact module
Mounting style	3RU/7HP
Transmission technology	Fiber optic
Port numbering	yes
Color	aqua
Dimensions	
Dimension (L x W x H)	249.6 mm x 128.9 mm x 35.3 mm
Dimension (L x W x H)	9.827 in. x 5.075 in. x 1.39 in.
Inches	19 inches
Height unit	3RU
Horizontal pitch	7HP
Installation depth	242 mm
Installation depth	9.528 in.
Fiber class	OM3
Mode type of the fiber	Multimode
Labeling option	printed numbers

**Connections/interfaces**

Connector technology interface 1	SC-D Couplers
Number of ports interface 1	6
Number of ports interface 2	6
Number of equipped ports interface 1	6
Number of ports interface 2 equipped	6
Number of ports with dust protection interface 1	6
Number of ports with dust protection interface 2	6

**Data sheet**  
**OpDAT CM 6xSC-D OM3 Prefab**

**P/N**  
**1528S0BA061E**  
**EAN 4251394671239**  
 2025/07/24  
 Version: F

**Technical Data**

**Mechanical data**

Cut-out	SC-D, LC-Q
Connector type	duplex

**Materials and material properties**

Material - Front cover	Al (Aluminium)
Material - Front cover finish	silver anodized
Material - Mounting plate	steel
Material - Sleeve	ceramic, slotted
Material - Coupler housing	Plastics
Halogen free	yes
RoHS	compliant

**Classifications**

ETIM 7.0	EC001130
ETIM 8.0	EC001130
ETIM 9.0	EC001130
ETIM 10.0	EC001130

**Packing details**

Type of packaging	1 pc(s) / box
-------------------	---------------

**Application note**

This product is a standard product of METZ CONNECT. METZ CONNECT is not aware of the specific intended use of the goods by the Customer or any customers of the Customer. The Customer guarantees that it has fully and sufficiently tested the use of the goods and any product modifications, product changes or product enhancements with regard to the specific intended use in accordance with the state of the art or in any other way. At METZ CONNECT's request, the Customer shall submit and make available meaningful evidence (e.g. test and laboratory protocols, certifications, etc.).

Data sheet  
OpDAT CM 6xSC-D OM3 Prefab

Page 4/6

P/N  
1528S0BA061E  
EAN 4251394671239  
2025/07/24  
Version: F

## Accessories

P/N	Designation
1528SZ001-E	OpDAT CM Accessories kit 1
1528SZ002-E	OpDAT CM Accessories kit 2

Data sheet

Page 5/6

**OpDAT CM 6xSC-D OM3 Prefab**

P/N

**1528S0BA061E****EAN 4251394671239**

2025/07/24

Version: F

**Accessories from**

P/N	Designation
1528SBGT19-E	OpDAT CM 19 inches/3RU subrack



Data sheet  
**OpDAT CM 6xSC-D OM3 Prefab**

Page 6/6

P/N  
**1528S0BA061E**  
EAN 4251394671239  
2025/07/24  
Version: F

**Illustrations**

Dimensional drawing

