

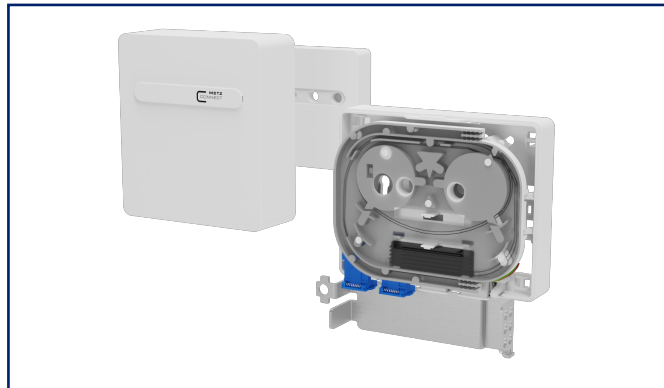
# Data sheet

## OpDAT APL extension box splice 2xSC-S UPC OS2 Grade B

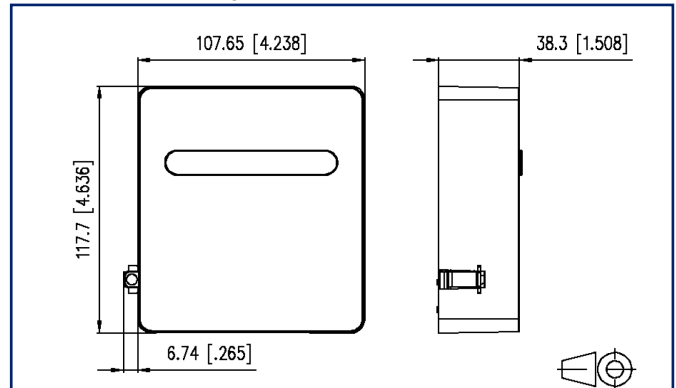
Page 1/6

P/N  
1501591U02HC  
EAN 4251394656137  
2025/06/18  
Version: H

### Illustrations



Dimensional drawing



See enlarged drawings at the end of document

### Product specification

- compact fiber optic termination point for the FITH area
- prepared for receiving microtubes with gasblockers
- sealable or lockable by safety screw
- equipped with adapters with laser shutter and pigtails
- pigtails with single mode fiber OS2, E9/125  $\mu\text{m}$ , IEC 60793-2-50 B.1.3 and B.6\_a, bend insensitive according to ITU-T G.657.A1, compatible to ITU-T G.652.D
- pigtails are cleaned and plugged in adapters
- unequipped ports are closed with blind plugs
- for surface mounting and with integrated clips for rail mounting in two directions
- pivoting, removable splice tray for up to 8 shrink splice protections
- cover removable without tool
- plug direction 90°
- color of the cover parts pure white RAL 9010
- variants: equipped with SC APC, SC UPC, LC-D APC or LC-D UPC adapters and matching pigtails
- variants also available in Grade B

# OpDAT APL extension box splice 2xSC-S UPC OS2 Grade B

P/N  
1501591U02HC  
EAN 4251394656137  
2025/06/18  
Version: H

## Technical Data

| General Data                                  |  |
|---|--|
| Fields of application                         | structured building cabling  |
| Mechanical measurement according to MICE      | M1   |
| Ingress measurement according to MICE         | I1   |
| Climatic measurement according to MICE        | C1   |
| Electromagnetic measurement according to MICE | E3   |
| Design  | AP   |
| Mounting style                                | surface mount, standard rail TH35                                  |
| Transmission technology                       | Fiber optic  |
| Color   | pure white - RAL 9010  |
| Dimensions                                    |  |
| Dimension (L x W x H)                         | 118 mm x 108 mm x 39 mm  |
| Dimension (L x W x H)                         | 4.646 in. x 4.252 in. x 1.535 in.                                  |
| Cable Type                                    | pigtail(s)   |
| Mode type of the fiber                        | Singlemode   |
| Fiber class                                   | OS2: IEC 60793-2-50 B6_a, B6_b & ITU-T G.657.A2, G.657.B2, G.652.D |
| Shape   | UPC (Ultra Physical Contact)                                       |
| Fiber construction                            | 9/125 µm   |

| Connections/interfaces               |            |
|--------------------------------------|------------|
| Connector technology interface 1     | SC APC     |
| Connector technology interface 2     | SC         |
| Number of ports interface 1          | 4          |
| Number of ports interface 2          | 4          |
| Number of equipped ports interface 1 | 2          |
| Number of ports interface 2 equipped | 2          |
| Number of blind                      | 2          |
| Core diameter (min. - max.)          |            |
| Core diameter                        | 900 µm     |
| Core diameter                        | 35.433 in. |
| Cable access/outlet                  | bottom     |

Data sheet

Page 3/6

# OpDAT APL extension box splice 2xSC-S UPC OS2 Grade B

P/N  
1501591U02HC  
EAN 4251394656137  
2025/06/18  
Version: H

## Technical Data

| Electrical/ optical properties    |                  |
|-----------------------------------|------------------|
| Insertion loss                    | max. 0,25 dB     |
| Return loss                       | min. 50 dB       |
| Mechanical data                   |                  |
| Connector type                    | simplex          |
| Life - Number of mating cycles    | min. 1000        |
| Materials and material properties |                  |
| Material - Housing                | ABS + PC         |
| Material - Coupler housing        | Plastics         |
| Material - Sleeve                 | ceramic, slotted |
| Material - Ferrule                | Ceramic          |
| Material - Crimp sleeve           | Al (Aluminium)   |
| RoHS                              | compliant        |
| Environmental conditions          |                  |
| Temperature (min. - max.)         |                  |
| Temperature - Storage °C          | -10 °C - 60 °C   |
| Temperature - Storage °F          | 14 °F - 140 °F   |
| Temperature - Operating °C        | -10 °C - 60 °C   |
| Temperature - Operating °F        | 14 °F - 140 °F   |
| Particulate ingress               | IP2X             |
| Liquid ingress/immersion          | IPX0             |
| Classifications                   |                  |
| ETIM 7.0                          | EC001409         |
| ETIM 8.0                          | EC001409         |
| ETIM 9.0                          | EC001409         |
| Packing details                   |                  |
| Type of packaging                 | 1 pc(s) / box    |

Data sheet

Page 4/6

**OpDAT APL extension box splice  
2xSC-S UPC OS2 Grade B**

P/N

1501591U02HC

EAN 4251394656137

2025/06/18

Version: H

**Technical Data****Application note**

This product is a standard product of METZ CONNECT. METZ CONNECT is not aware of the specific intended use of the goods by the Customer or any customers of the Customer. The Customer guarantees that it has fully and sufficiently tested the use of the goods and any product modifications, product changes or product enhancements with regard to the specific intended use in accordance with the state of the art or in any other way. At METZ CONNECT's request, the Customer shall submit and make available meaningful evidence (e.g. test and laboratory protocols, certifications, etc.).



Data sheet

Page 5/6

**OpDAT APL extension box splice  
2xSC-S UPC OS2 Grade B**

P/N

1501591U02HC

EAN 4251394656137

2025/06/18

Version: H

**Accessories**

| P/N        | Designation                                       |
|------------|---|
| 15090304-I | OpDAT splice protection cover for 6 crimp splices |
| 15090401-E | OpDAT crimp splice protection (12 pieces)         |



Data sheet

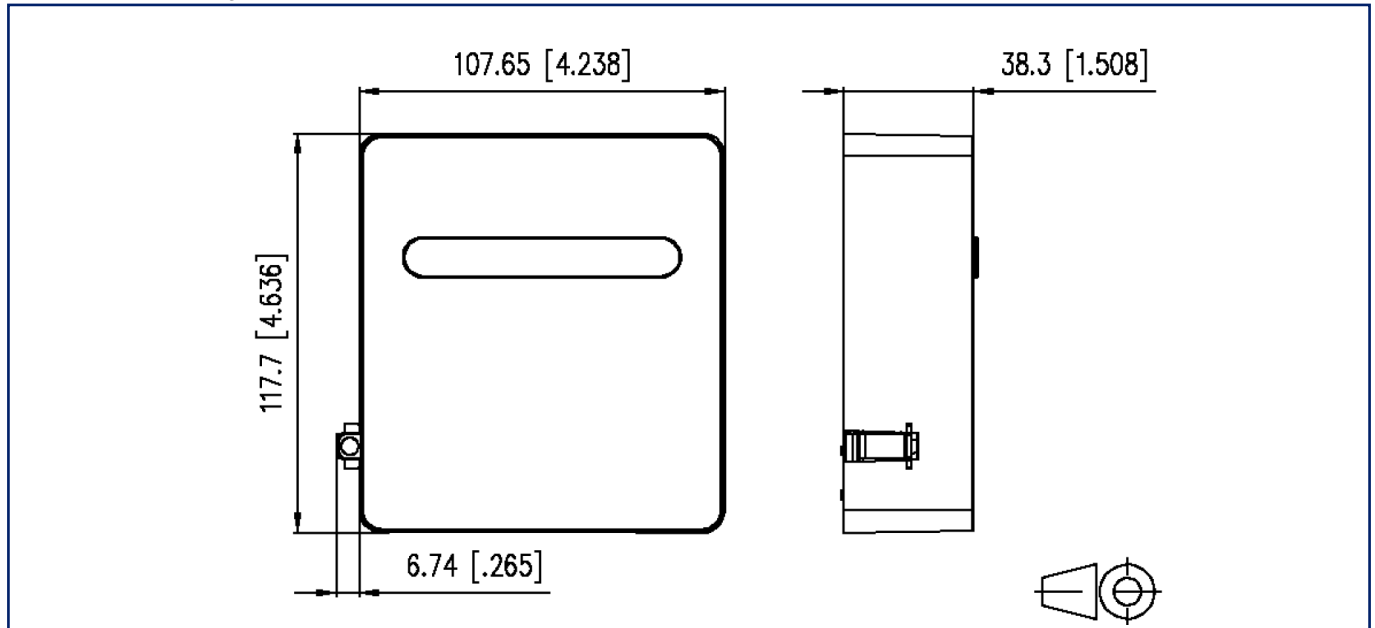
Page 6/6

**OpDAT APL extension box splice**  
**2xSC-S UPC OS2 Grade B**

P/N  
1501591U02HC  
EAN 4251394656137  
2025/06/18  
Version: H

**Illustrations**

Dimensional drawing



© 2025 METZ CONNECT - Technische Änderungen vorbehalten! Subject to modifications! Sous réserve de modifications techniques!

