

# Data sheet

## OpDAT 2 EK SC-D OM3

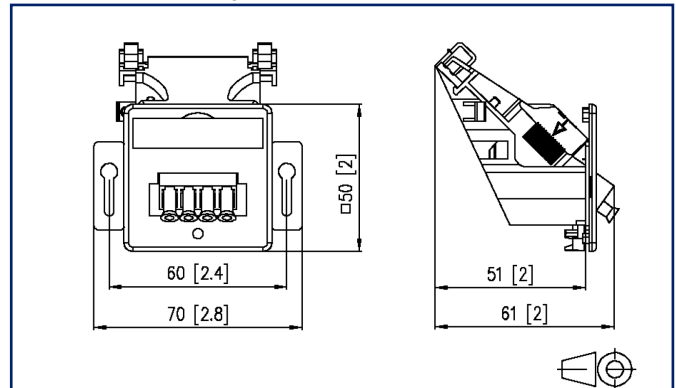
Page 1/5

P/N  
150120BA02-E  
EAN 4251394675626  
2025/09/18  
Version: E

### Illustrations



Dimensional drawing



See enlarged drawings at the end of document

### Product specification

- fiber optic wall outlet for wall conduits with adapters
- equipped with 1xLC-Q, 1xSC-D or 1xST-D
- outlet direction 45° downwards
- for fiber optic adapters with flange fastening (no clips)
- strain-free, protected positioning of the fiber optic plugs in the interior of the cable duct
- strain relief using cable ties
- central piece 50 x 50 mm to DIN 41075 part 1:1989
- label window for enclosed identification labels
- bending radii >20 mm for fiber optic cables are met in combination with mounting bracket
- suitable for preassembled cables and on-site assembly of plugs
- standard color: pure white RAL 9010
- variants: 1xLC-Q, 1xSC-D or 1xST-D



**Data sheet**  
**OpDAT 2 EK SC-D OM3**

**Technical Data**

| <b>General Data</b>                                     |  |
|---|--|
| Fields of application                                   | office areas                           |
| Design  | wall outlet                            |
| Mounting style  | conduit mount                          |
| Mounting in standard flush-mounted and cavity wall cups | no                                     |
| Transmission technology                                 | Fiber optic                            |
| Color   | pure white - RAL 9010                  |
| Adapter color   | aqua                                   |
| <b>Dimensions</b>                                       |  |
| Dimension (L x W x H)                                   | 61 mm x 70 mm x 50 mm                  |
| Dimension (L x W x H)                                   | 2.402 in. x 2.756 in. x 1.969 in.      |
| Mode type of the fiber                                  | Multimode                              |
| Fiber class   | OM3                                    |
| Labeling option   | label window with identification label |

| <b>Connections/interfaces</b>                    |               |
|--|---------------|
| Connector technology interface 1                 | SC-D          |
| Connector technology interface 2                 | SC-D          |
| Number of ports interface 1                      | 1             |
| Number of ports interface 2                      | 1             |
| Number of equipped ports interface 1             | 1             |
| Number of ports interface 2 equipped             | 1             |
| Number of ports with dust protection interface 1 | 1             |
| Number of ports with dust protection interface 2 | 1             |
| Module plug-in direction                         | 45° downwards |

| <b>Mechanical data</b> |                  |
|------------------------|------------------|
| Cut-out                | SC-D, LC-Q, ST-D |
| Connector type         | duplex           |
| strain relief          | cable tie        |

**Data sheet**  
**OpDAT 2 EK SC-D OM3**

**Technical Data**

**Materials and material properties**

|                             |                                  |
|-----------------------------|----------------------------------|
| Material - Housing          | Plastics                         |
| Material - Cover part(s)    | ABS                              |
| Material - Supporting frame | PBT (polybutylene terephthalate) |
| Material - Guide cover      | ABS                              |
| Material - Label window     | ABS, transparent                 |
| Material - Dust protection  | ABS                              |
| Material - Coupler housing  | Plastics                         |
| Material - Sleeve           | ceramic, slotted                 |
| RoHS                        | compliant                        |

**Standards/Regulations**

|   |                     |
|---|---------------------|
| Cover plates for installation devices 1 | DIN 49075-1:1989-10 |
|---|---------------------|

**Classifications**

|           |          |
|-----------|----------|
| ETIM 8.0  | EC001409 |
| ETIM 9.0  | EC001409 |
| ETIM 10.0 | EC001409 |

**Packing details**

|                   |               |
|-------------------|---------------|
| Type of packaging | 1 pc(s) / box |
|-------------------|---------------|

**Application note**

This product is a standard product of METZ CONNECT. METZ CONNECT is not aware of the specific intended use of the goods by the Customer or any customers of the Customer. The Customer guarantees that it has fully and sufficiently tested the use of the goods and any product modifications, product changes or product enhancements with regard to the specific intended use in accordance with the state of the art or in any other way. At METZ CONNECT's request, the Customer shall submit and make available meaningful evidence (e.g. test and laboratory protocols, certifications, etc.).

**Data sheet**  
**OpDAT 2 EK SC-D OM3**

**P/N**  
**150120BA02-E**  
**EAN 4251394675626**  
2025/09/18  
Version: E

**Accessories**

| P/N           | Designation  |
|---------------|--|
| 1308895010-I  | T-Slot mounting bracket for wall outlets - horizontal mounting without 50 mm, separation cup   |
| 1308895011-I  | T-Slot mounting bracket for wall outlets - horizontal mounting 50 mm, with separation cup      |
| 1308895020-I  | DIN Rail mounting bracket for wall outlets - horizontal mounting 50 mm, without separation cup |
| 1308895021-I  | DIN Rail mounting bracket for wall outlets - horizontal mounting 50 mm, with separation cup    |
| 1308895040-I  | T-Slot mounting bracket for wall outlets - vertical mounting 50 mm, without separation cup     |
| 1308895041-I  | T-Slot mounting bracket for wall outlets - vertical mounting 50 mm, with separation cup        |
| 1308895220-I  | DIN rail mounting bracket for wall outlets - horizontal mounting 52 mm, without separation cup |
| 1308895221-I  | DIN rail mounting bracket for wall outlets - horizontal mounting 52 mm, with separation cup    |
| 1308895510-I  | T-Slot mounting bracket for wall outlets - horizontal mounting 55 mm, without separation cup   |
| 1308895511-I  | T-Slot mounting bracket for wall outlets - horizontal mounting 55 mm, with separation cup      |
| 1308895520-I  | DIN rail mounting bracket for wall outlets - horizontal mounting 55 mm, without separation cup |
| 1308895521-I  | DIN rail mounting bracket for wall outlets - horizontal mounting 55 mm, with separation cup    |
| 1308895540-I  | T-Slot mounting bracket for wall outlets - vertical mounting 55 mm, without separation cup     |
| 1308895541-I  | T-Slot mounting bracket for wall outlets - vertical mounting 55 mm, with separation cup        |
| 820395-0102-I | Cover plate 80 x 80 mm, pure white, module   |
| 899650-01     | Label sheet for wall outlets   |

Data sheet  
**OpDAT 2 EK SC-D OM3**

Page 5/5

P/N  
**150120BA02-E**  
EAN **4251394675626**  
2025/09/18  
Version: E

**Illustrations**

Dimensional drawing

