

Data sheet

OpDAT UP 1xLC-D APC OS2

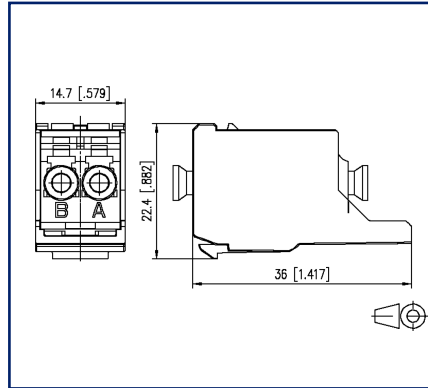
Page 1/5

P/N
1501207K1U-E
EAN 4250184180081
2025/09/17
Version: V

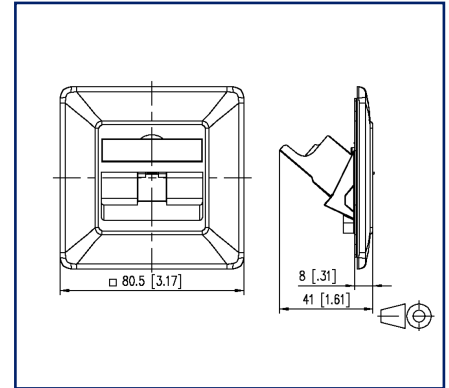
Illustrations



Dimensional drawing



Dimensional drawing



See enlarged drawings at the end of document

Product specification

- flush-mounted termination unit
- equipped with OpDAT modul LC-D SM APC adapter (green) with adapter
- slotted ceramic sleeve
- service life min. 1000 mating cycles
- module plug direction 45° downwards
- strain relief of the Kevlar by screw at the module frame
- velcro tape to bundle the fiber reserve
- with label window for enclosed identification labels
- label sheet 209 x 294 mm see accessory
- integrated dust protection covers (also colored)
- cover parts in pure white RAL 9010, structured surface with matt finish
- compatible with design central units of switch lines



Data sheet
OpDAT UP 1xLC-D APC OS2

P/N
1501207K1U-E
EAN 4250184180081
2025/09/17
Version: V

Technical Data

General Data

Fields of application	office areas
Mechanical measurement according to MICE	M1
Ingress measurement according to MICE	I1
Climatic measurement according to MICE	C1
Electromagnetic measurement according to MICE	E3
Design	wall outlet
Mounting style	UP
Transmission technology	Fiber optic
Color	pure white - RAL 9010
Dimensions	
Dimension (L x W x H)	51 mm x 85.6 mm x 85.6 mm
Dimension (L x W x H)	2.008 in. x 3.37 in. x 3.37 in.
Modularity	yes
Mode type of the fiber	Singlemode
Fiber class	OS2
Labeling option	label window with identification label

Transmission characteristics

4PPoE	IEEE 802.3bt
-------	--------------

Connections/interfaces

Connector technology interface 1	LC-D
Connector technology interface 2	LC-D
Number of ports interface 1	1
Number of ports interface 2	1
Number of equipped ports interface 1	1
Number of ports interface 2 equipped	1
Module plug-in direction	45° downwards

Data sheet
OpDAT UP 1xLC-D APC OS2

P/N
1501207K1U-E
EAN 4250184180081
 2025/09/17
 Version: V

Technical Data

Mechanical data

Cut-out	MC module
Life - Number of mating cycles	min. 1000
Position/mounting of latch standard installation position	top

Materials and material properties

Material - Surface mount frame	ABS, impact resistant
Material - Cover part(s)	ABS
Material - Supporting frame	GD-Zn
Material - Label window	ABS, transparent
Material - Dust protection	ABS
Material - Coupler housing	Plastics
Material - Sleeve	ceramic, slotted
RoHS	compliant

Classifications

ETIM 7.0	EC001409
ETIM 8.0	EC001409
ETIM 9.0	EC001409
ETIM 10.0	EC001409

Packing details

Type of packaging	1 pc(s) / box
-------------------	---------------

Application note

This product is a standard product of METZ CONNECT. METZ CONNECT is not aware of the specific intended use of the goods by the Customer or any customers of the Customer. The Customer guarantees that it has fully and sufficiently tested the use of the goods and any product modifications, product changes or product enhancements with regard to the specific intended use in accordance with the state of the art or in any other way. At METZ CONNECT's request, the Customer shall submit and make available meaningful evidence (e.g. test and laboratory protocols, certifications, etc.).

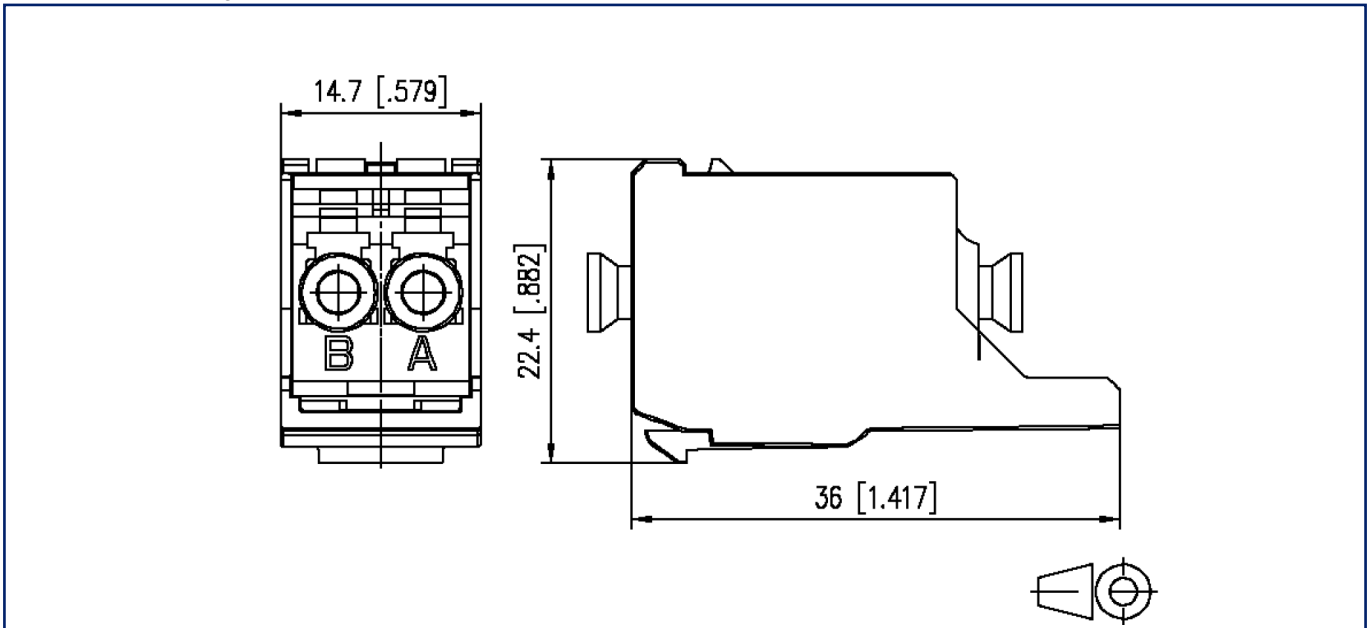
Data sheet
OpDAT UP 1xLC-D APC OS2

Page 4/5

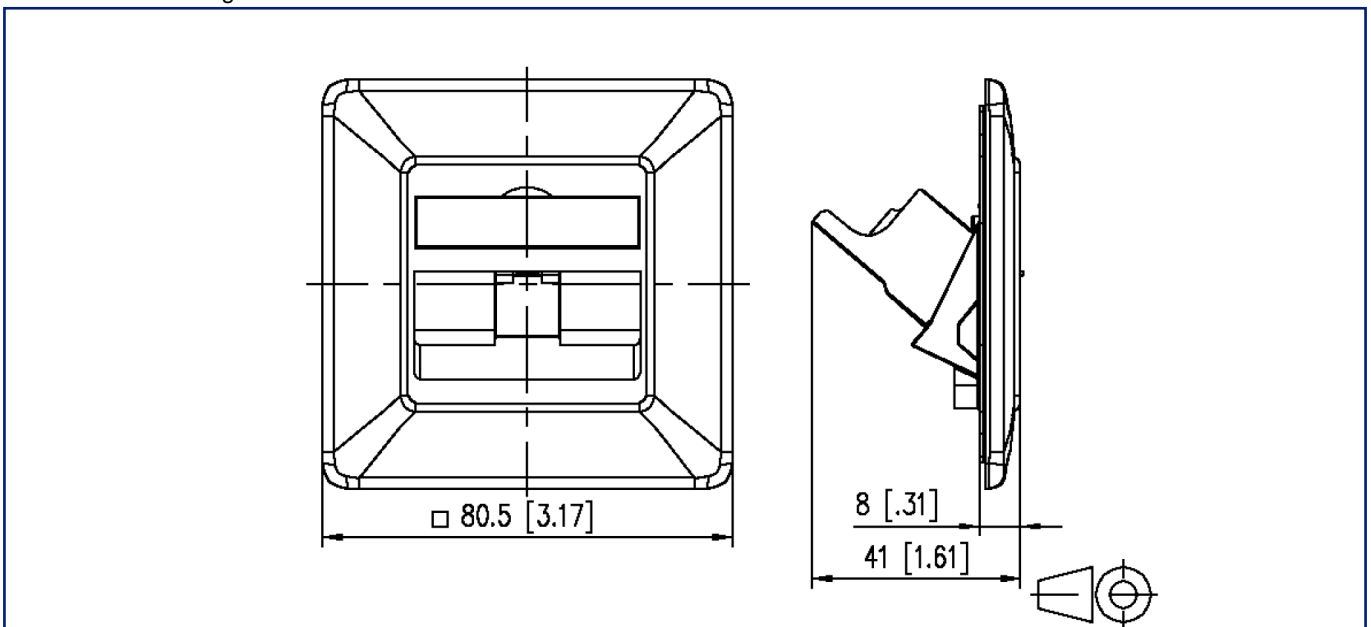
P/N
1501207K1U-E
EAN 4250184180081
2025/09/17
Version: V

Illustrations

Dimensional drawing



Dimensional drawing



Illustrations

Cut-out

