

Data sheet

OpDAT 2 EK LC-Q OM3

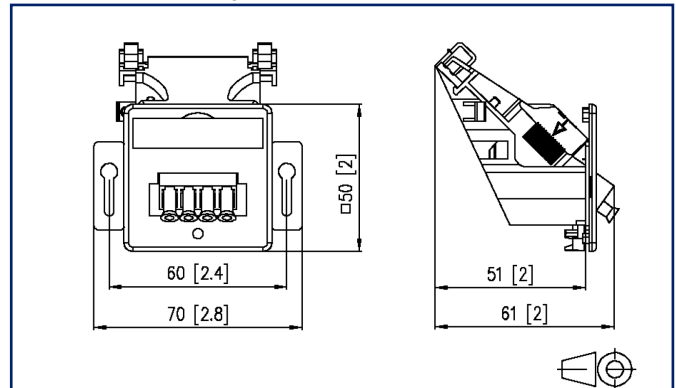
Page 1/5

P/N
1501207802-E
EAN 4251394675602
2025/09/18
Version: D

Illustrations



Dimensional drawing



See enlarged drawings at the end of document

Product specification

- fiber optic wall outlet for wall conduits with adapters
- equipped with 1xLC-Q, 1xSC-D or 1xST-D
- outlet direction 45° downwards
- for fiber optic adapters with flange fastening (no clips)
- strain-free, protected positioning of the fiber optic plugs in the interior of the cable duct
- strain relief using cable ties
- central piece 50 x 50 mm to DIN 41075 part 1:1989
- label window for enclosed identification labels
- bending radii >20 mm for fiber optic cables are met in combination with mounting bracket
- suitable for preassembled cables and on-site assembly of plugs
- standard color: pure white RAL 9010
- variants: 1xLC-Q, 1xSC-D or 1xST-D



Data sheet
OpDAT 2 EK LC-Q OM3

Technical Data

General Data

Fields of application	office areas
Design	wall outlet
Mounting style	conduit mount
Mounting in standard flush-mounted and cavity wall cups	no
Transmission technology	Fiber optic
Color	pure white - RAL 9010
Adapter color	aqua
Dimensions	
Dimension (L x W x H)	61 mm x 70 mm x 50 mm
Dimension (L x W x H)	2.402 in. x 2.756 in. x 1.969 in.
Mode type of the fiber	Multimode
Fiber class	OM3
Labeling option	label window with identification label

Connections/interfaces

Number of ports interface 1	1
Number of ports interface 2	1
Number of equipped ports interface 1	1
Number of ports interface 2 equipped	1
Number of ports with dust protection interface 1	1
Number of ports with dust protection interface 2	1
Module plug-in direction	45° downwards

Mechanical data

Cut-out	SC-D, LC-Q, ST-D
Connector type	quad
strain relief	cable tie

Materials and material properties

Material - Housing	Plastics
Material - Cover part(s)	ABS
Material - Supporting frame	PBT (polybutylene terephthalate)
Material - Guide cover	ABS

Data sheet

OpDAT 2 EK LC-Q OM3

Page 3/5

P/N
1501207802-E
EAN 4251394675602
2025/09/18
Version: D

Technical Data

Materials and material properties

Material - Label window	ABS, transparent
Material - Dust protection	ABS
Material - Coupler housing	Plastics
Material - Sleeve	ceramic, slotted
RoHS	compliant

Standards/Regulations

Cover plates for installation devices 1	DIN 49075-1:1989-10
---	---------------------

Classifications

ETIM 8.0	EC001409
ETIM 9.0	EC001409
ETIM 10.0	EC001409

Packing details

Type of packaging	1 pc(s) / box
-------------------	---------------

Application note

This product is a standard product of METZ CONNECT. METZ CONNECT is not aware of the specific intended use of the goods by the Customer or any customers of the Customer. The Customer guarantees that it has fully and sufficiently tested the use of the goods and any product modifications, product changes or product enhancements with regard to the specific intended use in accordance with the state of the art or in any other way. At METZ CONNECT's request, the Customer shall submit and make available meaningful evidence (e.g. test and laboratory protocols, certifications, etc.).



Data sheet
OpDAT 2 EK LC-Q OM3

Accessories

P/N	Designation
1308895010-I	T-Slot mounting bracket for wall outlets - horizontal mounting without 50 mm, separation cup
1308895011-I	T-Slot mounting bracket for wall outlets - horizontal mounting 50 mm, with separation cup
1308895020-I	DIN Rail mounting bracket for wall outlets - horizontal mounting 50 mm, without separation cup
1308895021-I	DIN Rail mounting bracket for wall outlets - horizontal mounting 50 mm, with separation cup
1308895040-I	T-Slot mounting bracket for wall outlets - vertical mounting 50 mm, without separation cup
1308895041-I	T-Slot mounting bracket for wall outlets - vertical mounting 50 mm, with separation cup
1308895220-I	DIN rail mounting bracket for wall outlets - horizontal mounting 52 mm, without separation cup
1308895221-I	DIN rail mounting bracket for wall outlets - horizontal mounting 52 mm, with separation cup
1308895510-I	T-Slot mounting bracket for wall outlets - horizontal mounting 55 mm, without separation cup
1308895511-I	T-Slot mounting bracket for wall outlets - horizontal mounting 55 mm, with separation cup
1308895520-I	DIN rail mounting bracket for wall outlets - horizontal mounting 55 mm, without separation cup
1308895521-I	DIN rail mounting bracket for wall outlets - horizontal mounting 55 mm, with separation cup
1308895540-I	T-Slot mounting bracket for wall outlets - vertical mounting 55 mm, without separation cup
1308895541-I	T-Slot mounting bracket for wall outlets - vertical mounting 55 mm, with separation cup
820395-0102-I	Cover plate 80 x 80 mm, pure white, module
899650-01	Label sheet for wall outlets

© 2025 METZ CONNECT - Technische Änderungen vorbehalten! Subject to modifications! Sous réserve de modifications techniques!

Data sheet
OpDAT 2 EK LC-Q OM3

Page 5/5

P/N
1501207802-E
EAN **4251394675602**
2025/09/18
Version: D

Illustrations

Dimensional drawing

