

Data sheet

OpDAT ADT Prefab 2xLC-D OM3

Page 1/6

P/N

1501107T02HC

EAN 4251394638935

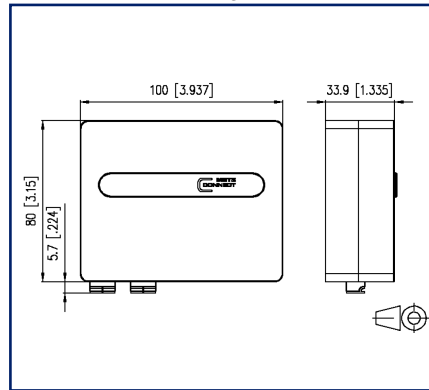
2025/07/24

Version: I

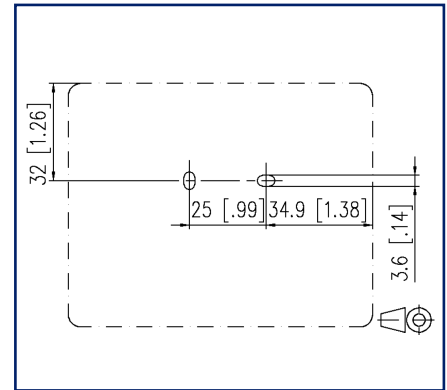
Illustrations



Dimensional drawing



Drill pattern



See enlarged drawings at the end of document

Product specification

- Compact, universal fiber optic termination unit for flush mounted outlets or cavity wall boxes, surface mounting or rail mounting
- To connect pre-terminated installation cables with mini breakout cables or to mount pigtailed
- Equipped with adapters
- Unequipped ports are closed with blind plugs
- Possible cable entries: on the back, from above, from below, from the left or the right side
- With integrated clips for rail mounting in two directions
- Pivoting, removable splice tray for up to 8 shrink splice protections
- Cover removable without tool
- Plug direction 90°
- Color of the cover parts pure white RAL 9010
- Variants: equipped with SC-S or LC-D adapters



Technical Data

General Data

Mechanical measurement according to MICE	M1
Ingress measurement according to MICE	I1
Climatic measurement according to MICE	C1
Electromagnetic measurement according to MICE	E3
Design	wall outlet
Mounting style	surface mount, standard rail TH35
Transmission technology	Fiber optic
Color	pure white - RAL 9010
Dimensions	
Dimension (L x W x H)	85 mm x 100 mm x 35 mm
Dimension (L x W x H)	3.346 in. x 3.937 in. x 1.378 in.
Mode type of the fiber	Multimode
Fiber class	OM3
Fiber construction	50/125 µm

Connections/interfaces

Connector technology interface 1	LC-D
Connector technology interface 2	LC-D
Number of ports interface 1	4
Number of ports interface 2	4
Number of equipped ports interface 1	2
Number of ports interface 2 equipped	2
Number of ports with dust protection interface 1	2
Number of ports with dust protection interface 2	2
Number of blind	2
Module plug-in direction	straight
Cable access/outlet	rear, top, bottom, left or right



OpDAT ADT Prefab 2xLC-D OM3

P/N

1501107T02HC

EAN 4251394638935

2025/07/24

Version: I

Technical Data

Mechanical data

Cut-out	LC-D
Connector type	duplex

Materials and material properties

Material - Housing	ABS + PC
Material - Lower housing	ABS
Material - Coupler housing	Plastics
Material - Sleeve	ceramic, slotted
RoHS	compliant

Environmental conditions

Temperature (min. - max.)	
Temperature - Storage °C	-10 °C - 60 °C
Temperature - Storage °F	14 °F - 140 °F
Temperature - Operating °C	-10 °C - 60 °C
Temperature - Operating °F	14 °F - 140 °F
Particulate ingress	IP2X
Liquid ingress/immersion	IPX0

Standards/Regulations

FO connector interfaces	IEC 61754-20
-------------------------	--------------

Classifications

ETIM 7.0	EC001409
ETIM 8.0	EC001409
ETIM 9.0	EC001409
ETIM 10.0	EC001409

Packing details

Type of packaging	1 pc(s) / box
-------------------	---------------

Data sheet

Page 4/6

OpDAT ADT Prefab 2xLC-D OM3

P/N

1501107T02HC**EAN 4251394638935**

2025/07/24

Version: I

Technical Data**Application note**

This product is a standard product of METZ CONNECT. METZ CONNECT is not aware of the specific intended use of the goods by the Customer or any customers of the Customer. The Customer guarantees that it has fully and sufficiently tested the use of the goods and any product modifications, product changes or product enhancements with regard to the specific intended use in accordance with the state of the art or in any other way. At METZ CONNECT's request, the Customer shall submit and make available meaningful evidence (e.g. test and laboratory protocols, certifications, etc.).



Data sheet
OpDAT ADT Prefab 2xLC-D OM3

Page 5/6

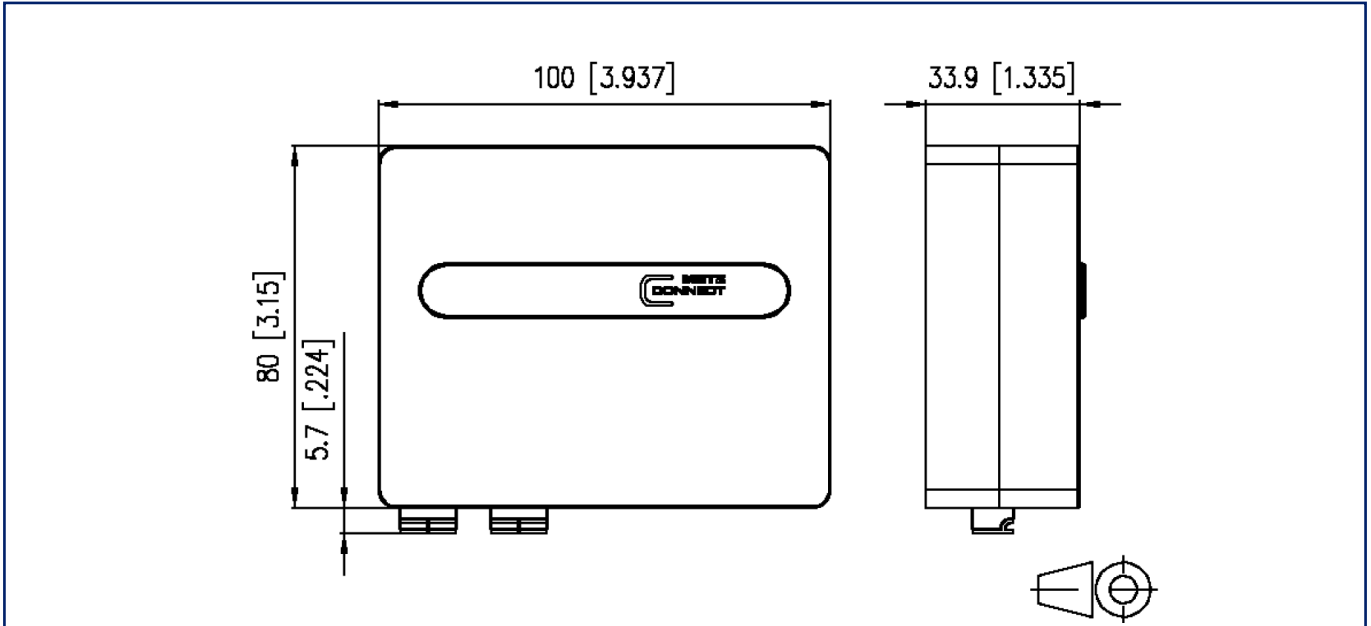
P/N
1501107T02HC
EAN 4251394638935
2025/07/24
Version: I

Accessories

P/N	Designation
15090304-I	OpDAT splice protection cover for 6 crimp splices
15090401-E	OpDAT crimp splice protection (12 pieces)

Illustrations

Dimensional drawing



Drill pattern

