

# Data sheet

Page 1/5

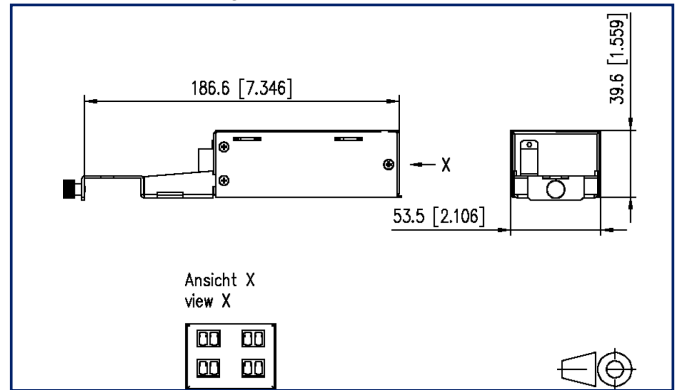
## DCCS Module OS2 4xE2000-Duplex APC/1xMTP-M, type B

P/N  
130D229QM000B  
EAN 4251394661674  
2025/07/01  
Version: B

### Illustrations



### Dimensional drawing



See enlarged drawings at the end of document

### Product specification

- DCCS housing with 4 LC duplex adapters front mounted and one MTP adapter back mounted. Wire fanout with 8 wires integrated inside.
- easy assembly/disassembly in DCCS subrack (19 inch, 1 RU)
- Suitable for splitting or combining duplex to multi-fibre cables.
- availability/polarity: type A (duplex pairing: 1+2/3+4/...) or type B (duplex pairing: 1+12/2+11/...)
- housing: galvanized sheet steel, stainless steel front
- variants: blue (SM), green (SM APC), lime green (OM5), violet (OM4), aqua (OM3)
- all available variants can be created with the DCCS-FO-configurator



# DCCS Module OS2 4xE2000-Duplex APC/1xMTP-M, type B

P/N  
130D229QM0000B  
EAN 4251394661674  
2025/07/01  
Version: B

## Technical Data

### General Data

Fields of application	structured building cabling office areas data center
Design	subassembly / assembly / module / unit
Mounting style	DCCS
Transmission technology	Fiber optic
Port numbering	yes
Color	green
Dimensions	
Dimension (L x W x H)	186.6 mm x 53.5 mm x 39.6 mm
Dimension (L x W x H)	7.346 in. x 2.106 in. x 1.559 in.
Fiber class	OS2
Mode type of the fiber	Multimode

### Connections/interfaces

Connector technology interface 1	E2000-D Couplers
Connector technology interface 2	MPO/MTP adapter
Number of ports interface 1	4
Number of ports interface 2	1
Number of equipped ports interface 1	4
Number of ports interface 2 equipped	1
Number of ports with dust protection interface 1	4

### Mechanical data

Cut-out	DCCS
---------	------

### Materials and material properties

Material - Assembly housing	sheet steel
Material - Assembly housing finish	Zn (zinc)
Material - Coupler housing	Plastics

Data sheet

Page 3/5

**DCCS Module OS2 4xE2000-Duplex APC/1xMTP-M, type B**

P/N

130D229QM0000B

EAN 4251394661674

2025/07/01

Version: B

**Technical Data****Classifications**

ETIM 7.0	EC001129
ETIM 8.0	EC001129
ETIM 9.0	EC001129
ETIM 10.0	EC001129

**Packing details**

Type of packaging 1 pc(s) / box

**Application note**

This product is a standard product of METZ CONNECT. METZ CONNECT is not aware of the specific intended use of the goods by the Customer or any customers of the Customer. The Customer guarantees that it has fully and sufficiently tested the use of the goods and any product modifications, product changes or product enhancements with regard to the specific intended use in accordance with the state of the art or in any other way. At METZ CONNECT's request, the Customer shall submit and make available meaningful evidence (e.g. test and laboratory protocols, certifications, etc.).



Data sheet

Page 4/5

## DCCS Module OS2 4xE2000-Duplex APC/1xMTP-M, type B

P/N

130D229QM0000B

EAN 4251394661674

2025/07/01

Version: B

### Accessories

P/N	Designation
130D2B1B-E	DCCS2 BGT 19 inch 1RU subrack black
130D2B1G-E	DCCS2 BGT 19 inch 1RU subrack light gray
130D2B2B-E	DCCS2 BGT 19 inch 1RU subrack black
130D2B2G-E	DCCS2 BGT 19 inch 1RU subrack light gray



# DCCS Module OS2 4xE2000-Duplex APC/1xMTP-M, type B

P/N

130D229QM0000B

EAN 4251394661674

2025/07/01

Version: B

## Illustrations

Dimensional drawing

