

Data sheet

Page 1/5

DCCS Module OM3 6xLC-Duplex/1xMTP-M, type B

P/N

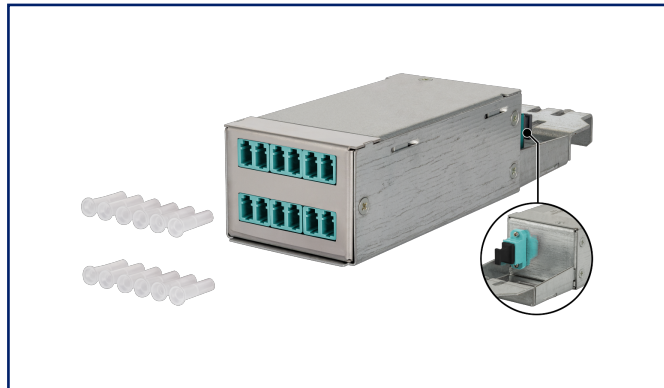
130D215JM0000B

EAN 4251394661612

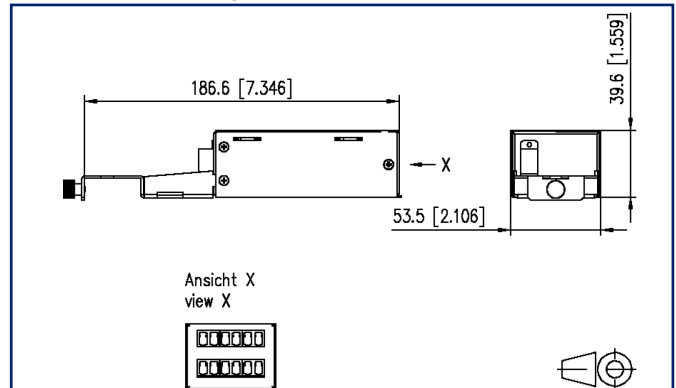
2025/07/01

Version: B

Illustrations



Dimensional drawing



See enlarged drawings at the end of document

Product specification

- DCCS housing with 6 LC duplex adapters front mounted and one MTP adapter back mounted. Wire fanout with 12 wires integrated inside.
- easy assembly/disassembly in DCCS subrack (19 inch, 1 RU)
- Suitable for splitting or combining duplex-cables to multi-fibre cables.
- availability/polarity: type A (duplex pairing: 1+2/3+4/...) or type B (duplex pairing: 1+12/2+11/...)
- housing: galvanized sheet steel, stainless steel front
- variants: blue (SM), green (SM APC), lime green (OM5), violet (OM4), aqua (OM3)
- all available variants can be created with the DCCS-FO-configurator

DCCS Module OM3 6xLC-Duplex/1xMTP-M, type B

P/N
130D215JM0000B
EAN 4251394661612
 2025/07/01
 Version: B

Technical Data

General Data

Fields of application	structured building cabling office areas data center
Design	subassembly / assembly / module / unit
Mounting style	DCCS
Transmission technology	Fiber optic
Port numbering	yes
Color	aqua
Dimensions	
Dimension (L x W x H)	186.6 mm x 53.5 mm x 39.6 mm
Dimension (L x W x H)	7.346 in. x 2.106 in. x 1.559 in.
Fiber class	OM3
Mode type of the fiber	Multimode

Connections/interfaces

Connector technology interface 1	LC-D Couplers
Connector technology interface 2	MPO/MTP adapter
Number of ports interface 1	6
Number of ports interface 2	1
Number of equipped ports interface 1	6
Number of ports interface 2 equipped	1
Number of ports with dust protection interface 1	6

Mechanical data

Cut-out	DCCS
---------	------

Materials and material properties

Material - Assembly housing	sheet steel
Material - Assembly housing finish	Zn (zinc)
Material - Coupler housing	Plastics

Data sheet

Page 3/5

DCCS Module OM3 6xLC-Duplex/1xMTP-M, type B

P/N

130D215JM0000B

EAN 4251394661612

2025/07/01

Version: B

Technical Data**Classifications**

ETIM 7.0	EC001129
ETIM 8.0	EC001129
ETIM 9.0	EC001129
ETIM 10.0	EC001129

Packing details

Type of packaging 1 pc(s) / box

Application note

This product is a standard product of METZ CONNECT. METZ CONNECT is not aware of the specific intended use of the goods by the Customer or any customers of the Customer. The Customer guarantees that it has fully and sufficiently tested the use of the goods and any product modifications, product changes or product enhancements with regard to the specific intended use in accordance with the state of the art or in any other way. At METZ CONNECT's request, the Customer shall submit and make available meaningful evidence (e.g. test and laboratory protocols, certifications, etc.).



Data sheet

Page 4/5

DCCS Module OM3 6xLC-Duplex/1xMTP-M, type B

P/N

130D215JM0000B

EAN 4251394661612

2025/07/01

Version: B

Accessories

P/N	Designation
130D2B1B-E	DCCS2 BGT 19 inch 1RU subrack black
130D2B1G-E	DCCS2 BGT 19 inch 1RU subrack light gray
130D2B2B-E	DCCS2 BGT 19 inch 1RU subrack black
130D2B2G-E	DCCS2 BGT 19 inch 1RU subrack light gray



DCCS Module OM3 6xLC-Duplex/1xMTP-M, type B

P/N

130D215JM0000B

EAN 4251394661612

2025/07/01

Version: B

Illustrations

Dimensional drawing

