

# Data sheet

Page 1/5

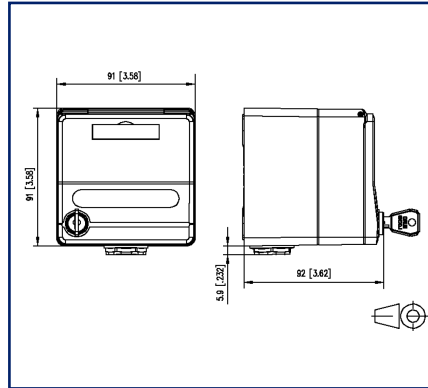
## IP44 surface-mounted module housing with hinged cover and lock, pure white, 2 port unequipped for Keystone

P/N  
1309470002KI  
EAN 4251394638188  
2025/09/18  
Version: F

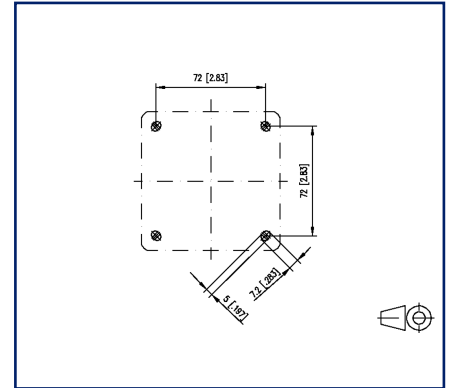
### Illustrations



Dimensional drawing



Drill pattern



See enlarged drawings at the end of document

### Product specification

- With two keys and keyed alike lock (same locks and keys), housing flap can be sealed
- Protection class IP44, protected against splashing water on all sides and the ingress of solid objects larger than 1 mm.
- IP protection classes tested without outgoing components. The protection class may differ due to the connection of components.
- Module cut-out: Keystone
- Two individual modules of your choice (RJ45, fibre optic LC, fibre optic ST, KOAX) available as accessories.
- Hinged cover closes completely, even when patch cables are plugged in
- Hinged lid can be locked in open position
- Housing made of UV weather-resistant and break-proof thermoplastic PC/ASA
- With clearly visible labelling area
- Cable feed for one or two cables can be rotated 90 degrees.
- Colour: pure white (RAL 9010)
- Cable glands available as accessories
- Delivery without modules and screws for surface mounting.



Data sheet

**IP44 surface-mounted module housing with hinged cover and lock, pure white, 2 port unequipped for Keystone**

P/N  
1309470002KI  
EAN 4251394638188  
2025/09/18  
Version: F

**Technical Data**

**General Data**

Fields of application	structured building cabling office areas industry Home Distributed building services
Design	wall outlet
Mounting style	AP
Color	pure white - RAL 9010
Dimensions	
Dimension (L x W x H)	91.1 mm x 91.1 mm x 89.9 mm
Dimension (L x W x H)	3.587 in. x 3.587 in. x 3.539 in.
Weight	276.53 g
Weight	0.6096 lb
Modularity	2
Labeling option	label window with identification label

**Connections/interfaces**

Cable access/outlet	90° rotatable
---------------------	---------------

**Mechanical data**

Cut-out	Keystone
strain relief	no

**Materials and material properties**

Material - Supporting frame	ASA PC
Material - Surface mount frame	ASA PC
Material - Lower housing	ASA PC
Material - Guide cover	ASA PC
Material - Spring	Steel 1.4310
Material - Label window	PC
Flame retardancy	Yes, according to UL 94 (V0 at 1.6mm for housing parts)
RoHS	compliant

Data sheet

Page 3/5

## IP44 surface-mounted module housing with hinged cover and lock, pure white, 2 port unequipped for Keystone

P/N

1309470002KI

EAN 4251394638188

2025/09/18

Version: F

### Technical Data

#### Environmental conditions

Temperature (min. - max.)

Temperature - Operating °C -20 °C - 70 °C

Temperature - Operating °F -4 °F - 158 °F

Particulate ingress IP4X

Liquid ingress/immersion IPX4

#### Standards/Regulations

Degrees of Protection Provided by Enclosures IEC 60529:2014-09

#### Classifications

ETIM 8.0 EC001264

ETIM 9.0 EC001264

ETIM 10.0 EC001264

#### Packing details

Type of packaging 1 pc(s) / box

#### Application note

This product is a standard product of METZ CONNECT. METZ CONNECT is not aware of the specific intended use of the goods by the Customer or any customers of the Customer. The Customer guarantees that it has fully and sufficiently tested the use of the goods and any product modifications, product changes or product enhancements with regard to the specific intended use in accordance with the state of the art or in any other way. At METZ CONNECT's request, the Customer shall submit and make available meaningful evidence (e.g. test and laboratory protocols, certifications, etc.).



Data sheet

Page 4/5

## IP44 surface-mounted module housing with hinged cover and lock, pure white, 2 port unequipped for Keystone

P/N

1309470002KI

EAN 4251394638188

2025/09/18

Version: F

### Accessories

P/N	Designation
130898-0103KI	COAX modul F jack / F jack, Keystone
130898-0203KI	COAX modul IEC jack / F jack, Keystone
130898-0303KI	COAX modul IEC plug / F jack, Keystone
130910KI	E-DAT modul Cat.6 <sub>A</sub> K jack - Keystone style
130910KZ	E-DAT modul Cat.6 <sub>A</sub> K jack - Keystone style (12 pcs)
130944V203-E	Cable gland M25 2x8
130A10-29-I-B1	UTP modul 8(8) Cat.6 black
130A11-29KI	UTP modul 8(8) Cat.6 <sub>A</sub> Keystone black
130A11KI	UTP modul 8(8) Cat.6 <sub>A</sub> Keystone white
130B21-25-E	25Gmodul - Keystone
130B21-25-Z	25Gmodul - Keystone style (12 pcs)
130B21-E	C6 <sub>A</sub> modul K 180° jack - keystone style
130B22-25-E	25Gmodul - Keystone 270° Jack
130B22-E	C6 <sub>A</sub> modul K 270° jack - keystone style
150811M25-E	Cable gland M25 (Clamping range 10.0 to 16.0 mm)
150811TM25-E	Cable gland M25 (Clamping range 9.0 to 11.0 mm)
15091001-I	OpDAT modul ST OS2
15091070-I	OpDAT modul LC (Ph-Br) MM beige
15091071-I	OpDAT modul LC-Duplex OS2
15091072-I	OpDAT modul LC-Duplex OM3
15091075-I	OpDAT modul LC-Duplex OM4
15091076-I	OpDAT modul LC-Duplex APC OS2

Data sheet

Page 5/5

**IP44 surface-mounted module housing with hinged cover and lock, pure white, 2 port unequipped for Keystone**

P/N

1309470002KI

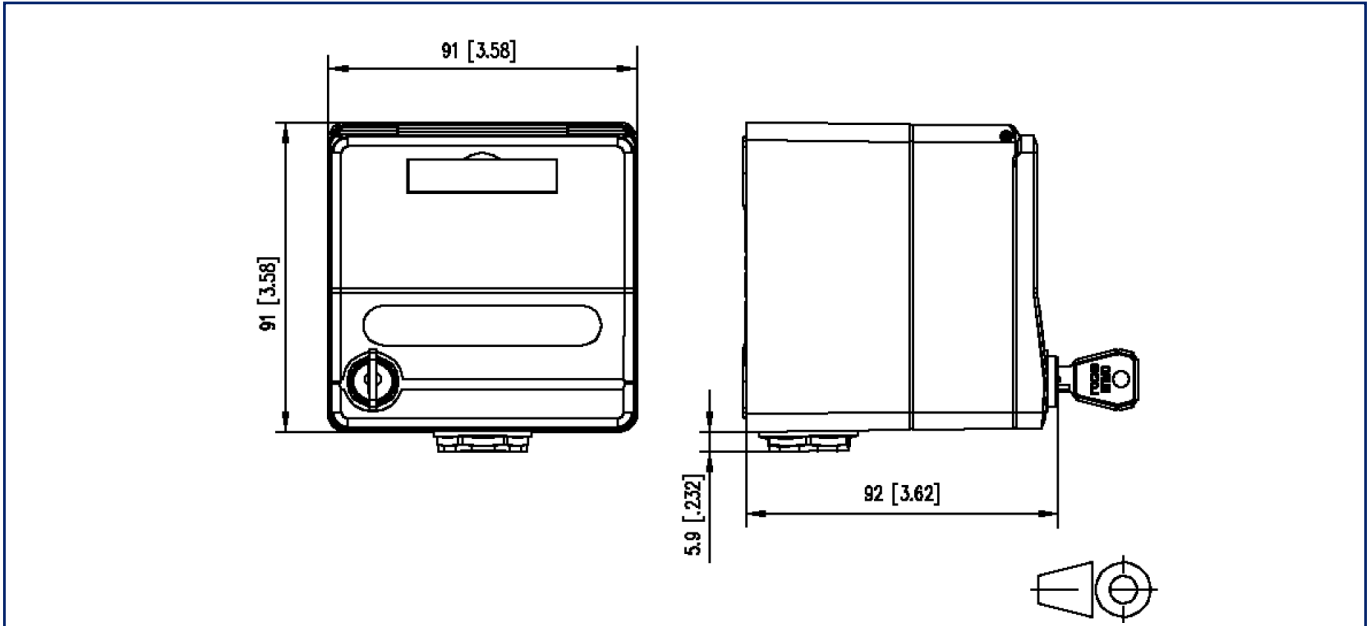
EAN 4251394638188

2025/09/18

Version: F

**Illustrations**

Dimensional drawing



Drill pattern

