

Data sheet

SmartConnect Patchpanel 12 ports MC module

Page 1/6

P/N

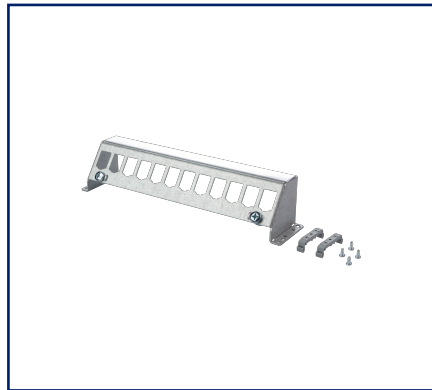
130927-1200-E

EAN 4251394635439

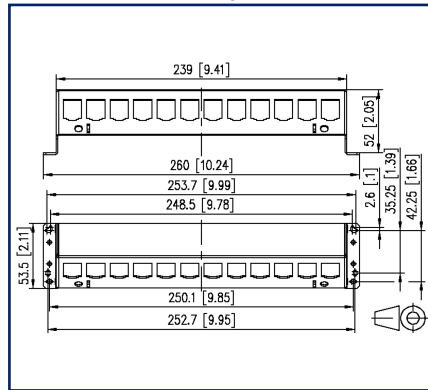
2025/09/18

Version: H

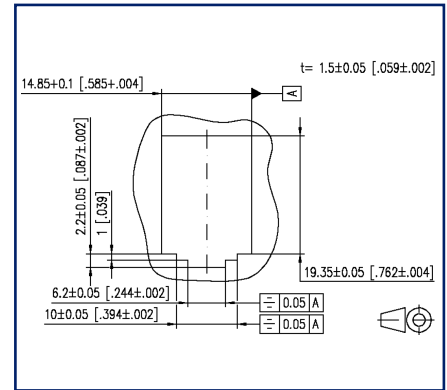
Illustrations



Dimensional drawing



Cut-out



See enlarged drawings at the end of document

Product specification

- empty module holder for receiving data, KOAX and fiber optic modules
- mounting type: module
- mounting on standard rail (TH35) or on support frame or mounting plate screwable
- consisting of 1 module holder made of bent sheet metal and 2 milled plastic brackets universally applicable for all variants
- mounting the plastic brackets on standard rail and perforated metal plate
- functional equipotential bonding acc. to DIN EN 50310 (VDE0800-2-310) with 2 screw fastenings via grounding screw M6x10 with nut and lock washer possible
- 1 labeling strip on module holder
- variants: 12, 16, 24 ports



SmartConnect Patchpanel 12 ports MC module

P/N

130927-1200-E

EAN 4251394635439

2025/09/18

Version: H

Technical Data

General Data

Fields of application	structured building cabling Distributed building services
Mechanical measurement according to MICE	M1
Ingress measurement according to MICE	I1
Climatic measurement according to MICE	C1
Electromagnetic measurement according to MICE	E3
Design	patch panel
Mounting style	standard rail TH35, perforated metal plate
Color	gray
Dimensions	
Dimension (L x W x H)	260 mm x 53.5 mm x 53.5 mm
Dimension (L x W x H)	10.236 in. x 2.106 in. x 2.106 in.
Weight	236 g
Weight	0.5203 lb
Modularity	yes
Labeling option	labeling strip on module holder

Connections/interfaces

Number of ports interface 1	12
Number of equipped ports interface 1	0
Cable access/outlet	45° upwards
Ground connection	grounding screw M6x10 with nut and lock washer

Mechanical data

Cut-out	MC module
---------	-----------

Materials and material properties

Material - Housing	aluminium-zinc sheet
Material - Mounting	PVC
Halogen free	yes
RoHS	compliant

SmartConnect Patchpanel 12 ports MC module

P/N

130927-1200-E

EAN 4251394635439

2025/09/18

Version: H

Technical Data**Classifications**

ETIM 7.0	EC002006
ETIM 8.0	EC002006
ETIM 9.0	EC002006
ETIM 10.0	EC002006

Packing details

Type of packaging 1 pc(s) / plastic bag

Application note

This product is a standard product of METZ CONNECT. METZ CONNECT is not aware of the specific intended use of the goods by the Customer or any customers of the Customer. The Customer guarantees that it has fully and sufficiently tested the use of the goods and any product modifications, product changes or product enhancements with regard to the specific intended use in accordance with the state of the art or in any other way. At METZ CONNECT's request, the Customer shall submit and make available meaningful evidence (e.g. test and laboratory protocols, certifications, etc.).



SmartConnect Patchpanel 12 ports MC module

P/N

130927-1200-E

EAN 4251394635439

2025/09/18

Version: H

Accessories

P/N	Designation
1308450233-E	Patch cord Cat.6 _A AWG 26 0.2 m gray
1308450333-E	Patch cord Cat.6 _A AWG 26 0.3 m gray
1308450533-E	Patch cord Cat.6 _A AWG 26 0.5 m gray
1308451033-E	Patch cord Cat.6 _A AWG 26 1.0 m gray
13084U0300-E	Patch cord Cat.6 Ultraflex500 VoIP AWG 26 0.3 m black
13084U0333-E	Patch cord Cat.6 Ultraflex500 VoIP AWG 26 0.3 m gray
13084U0388-E	Patch cord Cat.6 Ultraflex500 VoIP AWG 26 0.3 m white
13084U0500-E	Patch cord Cat.6 Ultraflex500 VoIP AWG 26 0.5 m black
13084U0533-E	Patch cord Cat.6 Ultraflex500 VoIP AWG 26 0.5 m gray
13084U0588-E	Patch cord Cat.6 Ultraflex500 VoIP AWG 26 0.5 m white
13084U1000-E	Patch cord Cat.6 Ultraflex500 VoIP AWG 26 1.0 m black
13084U1033-E	Patch cord Cat.6 Ultraflex500 VoIP AWG 26 1.0 m gray
13084U1088-E	Patch cord Cat.6 Ultraflex500 VoIP AWG 26 1.0 m white
13084V0300-E	Patch cord Cat.6 Ultraflex500 VoIP AWG 26 0.3 m black
13084V0333-E	Patch cord Cat.6 Ultraflex500 VoIP AWG 26 0.3 m gray
13084V0388-E	Patch cord Cat.6 Ultraflex500 VoIP AWG 26 0.3 m white
13084V0500-E	Patch cord Cat.6 Ultraflex500 VoIP AWG 26 0.5 m black
13084V0533-E	Patch cord Cat.6 Ultraflex500 VoIP AWG 26 0.5 m gray
13084V0588-E	Patch cord Cat.6 Ultraflex500 VoIP AWG 26 0.5 m white
13084V1000-E	Patch cord Cat.6 Ultraflex500 VoIP AWG 26 1.0 m black
13084V1033-E	Patch cord Cat.6 Ultraflex500 VoIP AWG 26 1.0 m gray
13084V1088-E	Patch cord Cat.6 Ultraflex500 VoIP AWG 26 1.0 m white



SmartConnect Patchpanel 12 ports MC module

P/N

130927-1200-E**EAN 4251394635439**

2025/09/18

Version: H

Accessories

130898-00-I	BLIND module light gray
130898-00-RW-I	BLIND module pure white
130898-01-I	COAX modul F jack / F jack
130898-02-I	COAX modul IEC jack / F jack
130898-03-I	COAX modul IEC plug / F jack
130908-I-B1	UAE modul Cat.5e white
130909-I	UAE modul Cat.6 jack white
130910-DNV	E-DAT modul Cat.6 _A 8(8) jack DNV
130910-I	E-DAT modul Cat.6 _A 8(8) jack
130910-Z	E-DAT modul Cat.6 _A 8(8) jack, (12 pcs)
1309A0-I	E-DAT modul coupler 8(8) 180° class E _A
130A11-29-I	UAE modul 8(8) Cat.6 _A black
130A11-I	UAE modul 8(8) Cat.6 _A white
130B11-25-E	25Gmodul
130B11-25-Z	25Gmodul (12 pcs)
130B11-DNV	C6 _A modul 180° jack DNV
130B11-E	C6 _A modul 180° jack
130B11-Z	C6 _A modul 180° jack (12 pcs)
15091001-I	OpDAT modul ST OS2
15091071-I	OpDAT modul LC-Duplex OS2
15091072-I	OpDAT modul LC-Duplex OM3
15091075-I	OpDAT modul LC-Duplex OM4
15091076-I	OpDAT modul LC-Duplex APC OS2
1509107B-I	OpDAT modul LC-Duplex MM
1509107M-I	OpDAT modul LC-Duplex OM5



SmartConnect Patchpanel 12 ports MC module

P/N

130927-1200-E

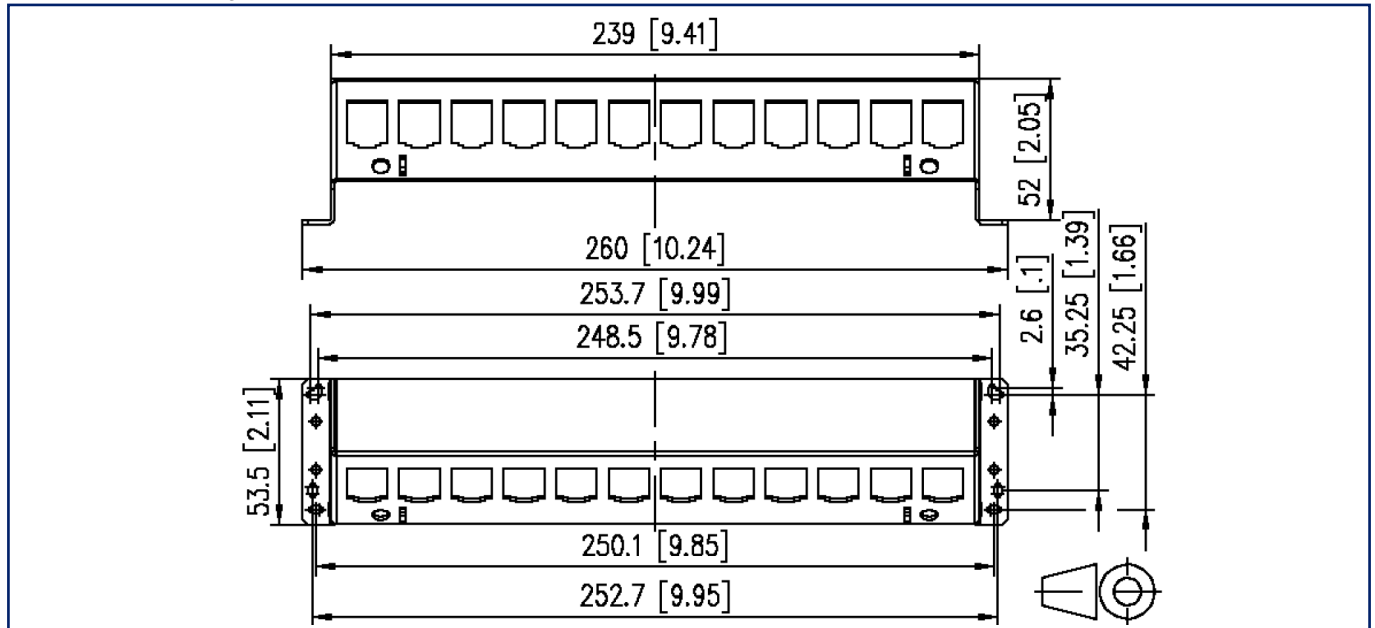
EAN 4251394635439

2025/09/18

Version: H

Illustrations

Dimensional drawing



Cut-out

