

Data sheet

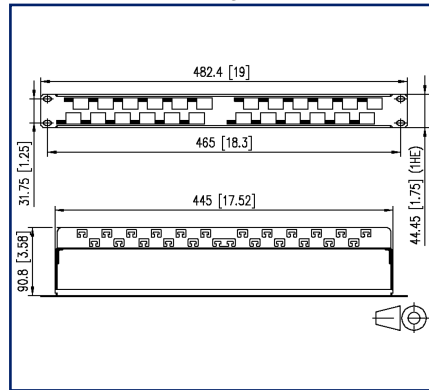
Keystone 19 inches module frame 1RU 24 port angled grey unequipped, shielded

P/N
130926A0003KE
EAN 4251122186066
2025/09/17
Version: N

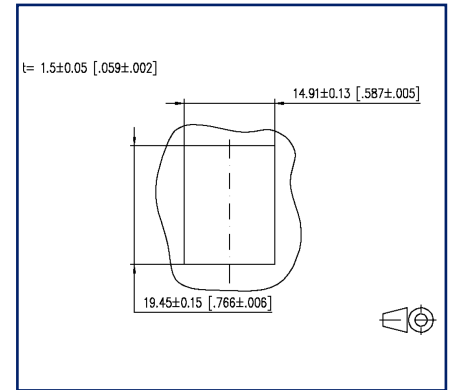
Illustrations



Dimensional drawing



Cut-out



See enlarged drawings at the end of document

Product specification

- Keystone 19 inch module frame 1RU 24 port
- angled, unequipped, shielded
- for 24 individual modules, Keystone design
- module frame front made of powder-coated steel
- optimized for 10 GE when combined with UTP Cat.6_A modules
- angled port openings, ports 1 to 12 angled by about 30° to the right, ports 13 to 24 angled by about 30° to the left
- module support made of galvanized sheet steel
- additional strain relief possible by cable ties on module support
- grounding screw with lock washer
- 40 cm grounding cable included
- all fully shielded modules are interconnected by the module frame
- variants: black or gray

Keystone 19 inches module frame 1RU 24 port angeled grey unequipped, shielded

P/N
130926A0003KE
EAN 4251122186066
2025/09/17
Version: N

Technical Data

General Data

Fields of application	data center
Mechanical measurement according to MICE	M1
Ingress measurement according to MICE	I1
Climatic measurement according to MICE	C1
Electromagnetic measurement according to MICE	E3
Mounting style	1RU
Shielding	shielded
Color	gray
Dimensions	
Dimension (L x W x H)	90.8 mm x 482.4 mm x 44.45 mm
Dimension (L x W x H)	3.575 in. x 18.992 in. x 1.75 in.
Inches	19 inches
Height unit	1RU
Labeling option	printed numbers

Connections/interfaces

Number of ports interface 1	24
Number of equipped ports interface 1	0
Number of ports interface 2	24
Number of ports interface 2 equipped	0
Ground connection	Grounding screw with lock washer

Mechanical data

Cut-out	Keystone
strain relief	cable tie

Materials and material properties

Material - Housing	steel
Material - Housing finish	powder-coated
Halogen free	yes
RoHS	compliant

Data sheet

Page 3/6

**Keystone 19 inches module frame 1RU 24 port angeled
grey unequipped, shielded**

P/N

130926A0003KE

EAN 4251122186066

2025/09/17

Version: N

Technical Data**Classifications**

ETIM 7.0	EC002006
ETIM 8.0	EC002006
ETIM 9.0	EC002006
ETIM 10.0	EC002006

Application note

This product is a standard product of METZ CONNECT. METZ CONNECT is not aware of the specific intended use of the goods by the Customer or any customers of the Customer. The Customer guarantees that it has fully and sufficiently tested the use of the goods and any product modifications, product changes or product enhancements with regard to the specific intended use in accordance with the state of the art or in any other way. At METZ CONNECT's request, the Customer shall submit and make available meaningful evidence (e.g. test and laboratory protocols, certifications, etc.).



Data sheet

Page 4/6

Keystone 19 inches module frame 1RU 24 port angeled grey unequipped, shielded

P/N
130926A0003KE
EAN 4251122186066
2025/09/17
Version: N

Accessories

P/N	Designation
130792	Mounting kit, cage nuts M6
130898-0003KI	Keystone BLIND module light gray
130898-0029KI	Keystone BLIND module black
130898-0103KI	COAX modul F jack / F jack, Keystone
130898-0203KI	COAX modul IEC jack / F jack, Keystone
130898-0303KI	COAX modul IEC plug / F jack, Keystone
130910K-DNV	E-DAT modul Cat.6 _A K jack - Keystone style DNV
130910KI	E-DAT modul Cat.6 _A K jack - Keystone style
130910KZ	E-DAT modul Cat.6 _A K jack - Keystone style (12 pcs)
1309A0-I	E-DAT modul coupler 8(8) 180° class E _A
130A08-I-B1	UTP modul Cat.5e white
130A10-29-I-B1	UTP modul 8(8) Cat.6 black
130A10-I-B1	UTP modul 8(8) Cat.6 white
130A11-29KI	UTP modul 8(8) Cat.6 _A Keystone black
130A11KI	UTP modul 8(8) Cat.6 _A Keystone white
130B21-25-E	25Gmodul - Keystone
130B21-25-Z	25Gmodul - Keystone style (12 pcs)
130B21-DNV	C6 _A modul K 180° jack DNV - Keystone style
130B21-E	C6 _A modul K 180° jack - keystone style
130B21-Z	C6 _A modul K 180° jack - Keystone style (12 pcs)
15091071-I	OpDAT modul LC-Duplex OS2
15091072-I	OpDAT modul LC-Duplex OM3
15091075-I	OpDAT modul LC-Duplex OM4
15091076-I	OpDAT modul LC-Duplex APC OS2
1509107B-I	OpDAT modul LC-Duplex MM
820032-0102-I	Dust protection cover for C6 _A modul pure white
820032-0103-I	Dust protection cover for C6 _A modul light gray
820032-0105-I	Dust protection cover for C6 _A modul yellow
820032-0106-I	Dust protection cover for C6 _A modul blue
820032-0107-I	Dust protection cover for C6 _A modul green
820032-0108-I	Dust protection cover for C6 _A modul red
820032-0129-H	Dust protection cover for C6 _A modul black, (250 pcs)
820032-0129-I	Dust protection cover for C6 _A modul black

Data sheet

Page 5/6

**Keystone 19 inches module frame 1RU 24 port angeled
grey unequipped, shielded**

P/N

130926A0003KE

EAN 4251122186066

2025/09/17

Version: N

Accessories from

P/N	Designation
130862-1H20-E	Surface mount housing for 19 inches patch panels 1RU pure white
130862-2H20-E	Surface mount housing for 19 inches patch panels 2RU pure white



Data sheet

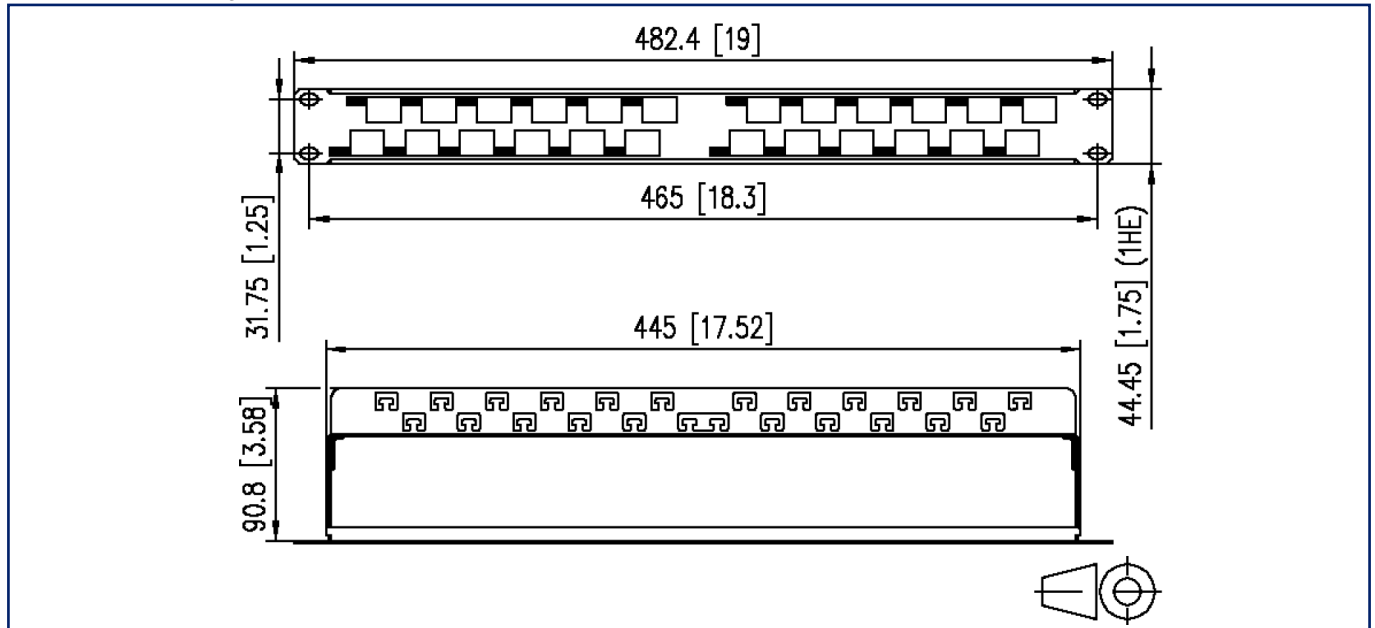
Page 6/6

Keystone 19 inches module frame 1RU 24 port angeled grey unequipped, shielded

P/N
130926A0003KE
EAN 4251122186066
2025/09/17
Version: N

Illustrations

Dimensional drawing



Cut-out

