

Data sheet

Modul wall outlet surface mounted 2 port unequipped pure white

Page 1/6

P/N

1309150002-E

EAN 4250184105954

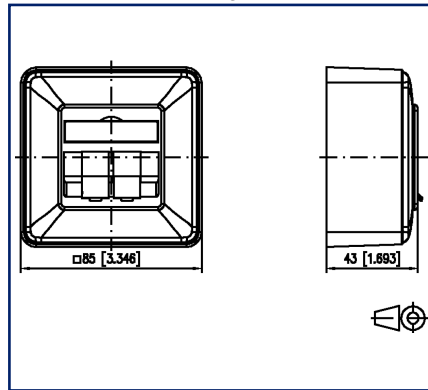
2025/09/17

Version: X

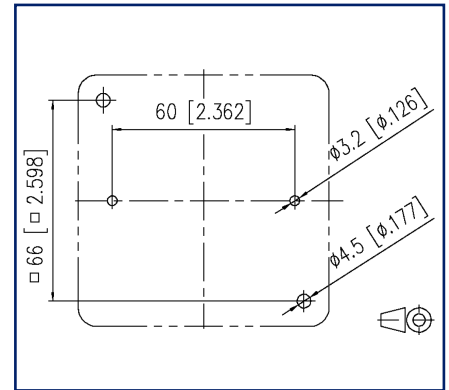
Illustrations



Dimensional drawing



Drill pattern



See enlarged drawings at the end of document

Product specification

- surface-mounted termination unit 85 x 85 x 35 mm for individual modules with modul design (please note: C6_A modul and E-DAT modul coupler 8(8) do not fit)
- module plug direction 45° downwards
- strain relief on module
- with label window for enclosed identification labels
- label sheet 209 x 294 mm see accessory
- integrated dust protection covers (also colored)
- cover parts in pure white RAL 9010, structured surface with matt finish
- variants: 1 port, 2 ports, 3 ports
- color variants: pure white



Data sheet

Page 2/6

Modul wall outlet surface mounted 2 port unequipped pure white

P/N

1309150002-E

EAN 4250184105954

2025/09/17

Version: X

Technical Data

General Data

Fields of application	office areas
Mechanical measurement according to MICE	M1
Ingress measurement according to MICE	I1
Climatic measurement according to MICE	C1
Electromagnetic measurement according to MICE	E3
Design	wall outlet
Mounting style	AP
Color	pure white - RAL 9010
Dimensions	
Dimension (L x W x H)	43 mm x 85 mm x 85 mm
Dimension (L x W x H)	1.693 in. x 3.346 in. x 3.346 in.
Modularity	yes
Labeling option	label window with identification label
Marking option	by dust protection

Connections/interfaces

Number of ports interface 2	2
Number of ports interface 2 equipped	0
Number of ports with dust protection interface 2	2
Module plug-in direction	45° downwards

Materials and material properties

Material - Supporting frame	GD-Zn
Material - Surface mount frame	ABS, impact resistant
Material - Cover part(s)	ABS
Material - Label window	ABS, transparent
Material - Dust protection	ABS
Halogen free	yes
RoHS	compliant

Data sheet

Page 3/6

**Modul wall outlet surface mounted 2 port unequipped
pure white**

P/N

1309150002-E

EAN 4250184105954

2025/09/17

Version: X

Technical Data**Classifications**

ETIM 7.0	EC001264
ETIM 8.0	EC001264
ETIM 9.0	EC001264
ETIM 10.0	EC001264

Packing details

Type of packaging 10 pc(s) / box

Application note

This product is a standard product of METZ CONNECT. METZ CONNECT is not aware of the specific intended use of the goods by the Customer or any customers of the Customer. The Customer guarantees that it has fully and sufficiently tested the use of the goods and any product modifications, product changes or product enhancements with regard to the specific intended use in accordance with the state of the art or in any other way. At METZ CONNECT's request, the Customer shall submit and make available meaningful evidence (e.g. test and laboratory protocols, certifications, etc.).



Data sheet

Page 4/6

**Modul wall outlet surface mounted 2 port unequipped
pure white**

P/N

1309150002-E

EAN 4250184105954

2025/09/17

Version: X

Accessories

P/N	Designation
130829-02-I	Surface mount frame 85 x 85 x 35 mm - Single, pure white
820394-0105-I	Dust protection covers for wall outlets yellow
820394-0106-I	Dust protection covers for wall outlets blue
820394-0107-I	Dust protection covers for wall outlets green
820394-0108-I	Dust protection covers for wall outlets red
820395-0102-I	Cover plate 80 x 80 mm, pure white, module
899650-01	Label sheet for wall outlets



Data sheet

Page 5/6

**Modul wall outlet surface mounted 2 port unequipped
pure white**

P/N

1309150002-E

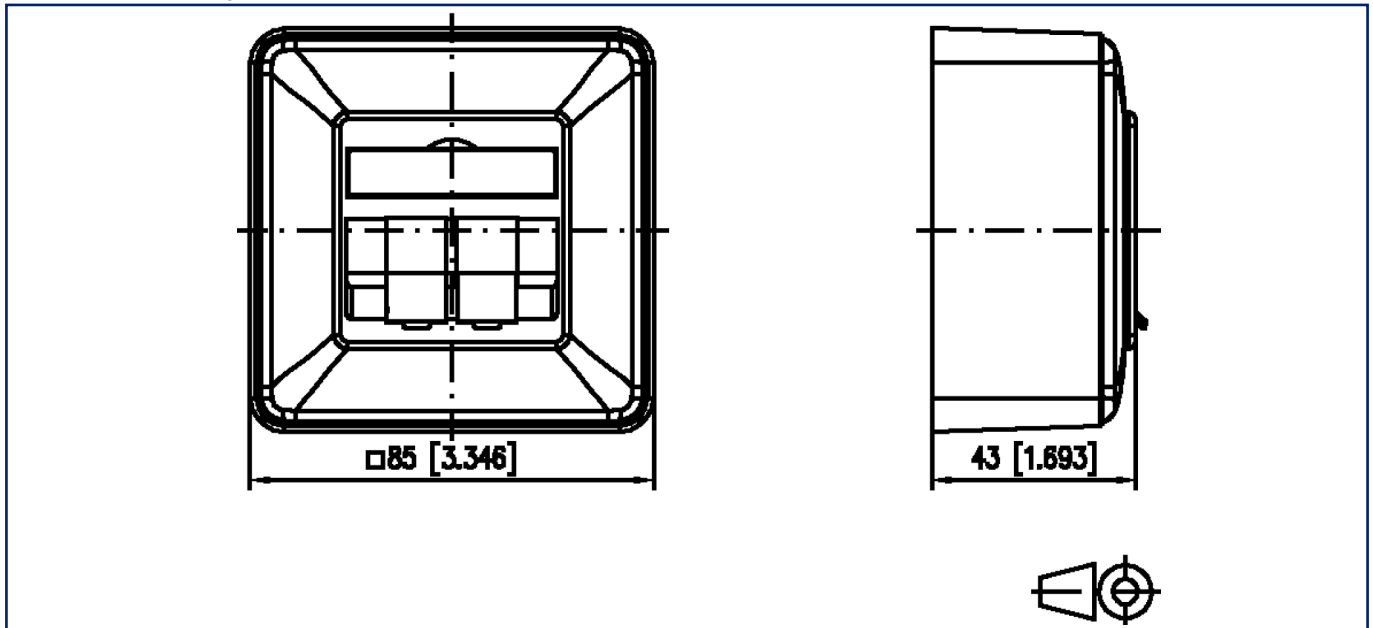
EAN 4250184105954

2025/09/17

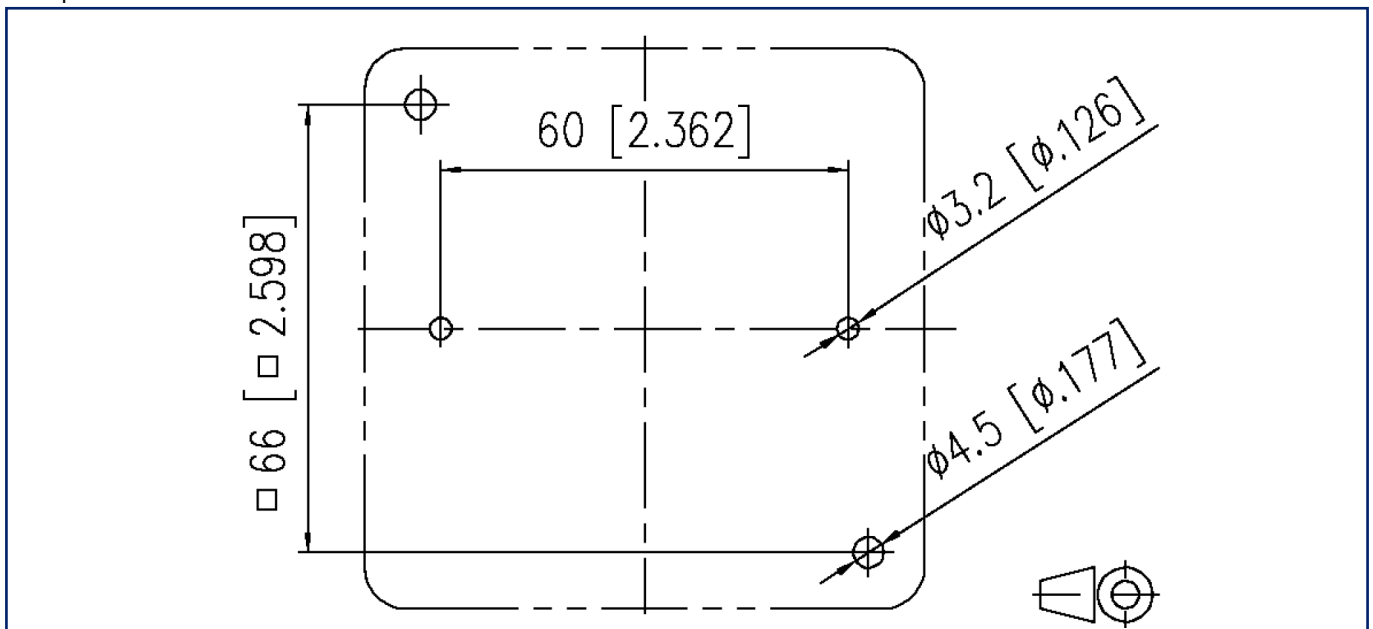
Version: X

Illustrations

Dimensional drawing



Drill pattern



Data sheet

Page 6/6

Modul wall outlet surface mounted 2 port unequipped pure white

P/N

1309150002-E

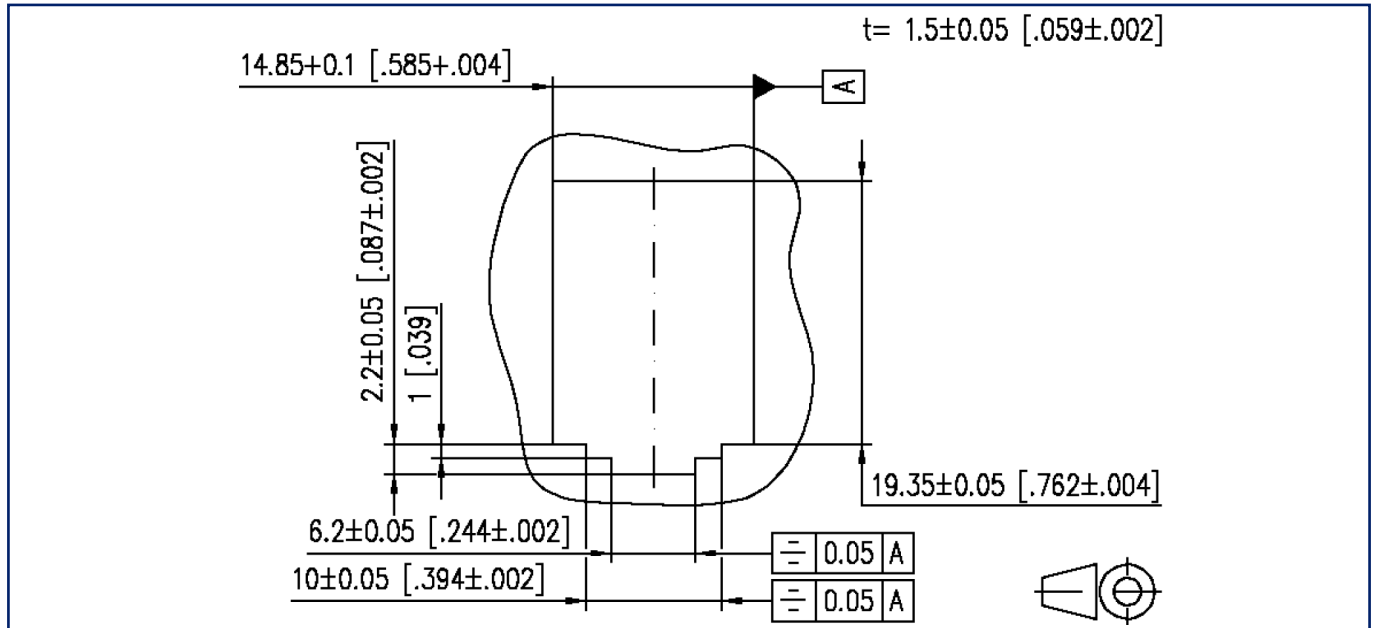
EAN 4250184105954

2025/09/17

Version: X

Illustrations

Cut-out



© 2025 METZ CONNECT - Technische Änderungen vorbehalten! Subject to modifications! Sous réserve de modifications techniques!

