

Data sheet

Keystone wall outlet surface mounted 1 port unequipped pure white

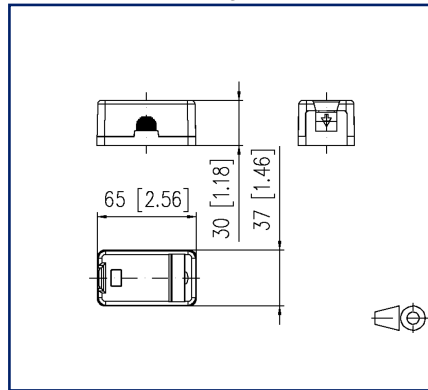
Page 1/4

P/N
1309140002KE
EAN 4250184140955
2025/09/17
Version: Y

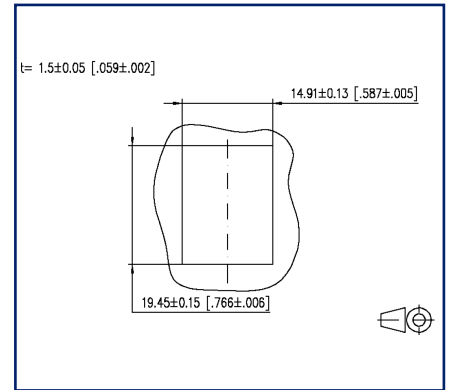
Illustrations



Dimensional drawing



Cut-out



See enlarged drawings at the end of document

Product specification

- very compact surface-mounted termination unit for individual Keystone modules
- module plug direction 90° downwards
- strain relief with cable tie at the module
- label window for identification labels (labels included in the delivery)
- integrated dust protection shutter
- cover parts in color similar to pure white RAL 9010, glossy surface
- not suitable for 180° couplers (anti-bend sleeves for patch cables usually too long)
- variants: 1 port, 2 ports



Data sheet

Page 2/4

Keystone wall outlet surface mounted 1 port unequipped pure white

P/N

1309140002KE

EAN 4250184140955

2025/09/17

Version: Y

Technical Data

General Data

Fields of application	office areas
Mechanical measurement according to MICE	M1
Ingress measurement according to MICE	I1
Climatic measurement according to MICE	C1
Electromagnetic measurement according to MICE	E3
Design	wall outlet
Mounting style	AP
Color	white
Dimensions	
Dimension (L x W x H)	65 mm x 37 mm x 30 mm
Dimension (L x W x H)	2.559 in. x 1.457 in. x 1.181 in.
Modularity	yes
Labeling option	label window with identification label
Marking option	by dust protection

Connections/interfaces

Number of ports interface 2	1
Number of ports interface 2 equipped	0
Number of ports with dust protection interface 2	1
Module plug-in direction	90° downwards

Mechanical data

Cut-out	Keystone
strain relief	attached to module

Materials and material properties

Material - Label window	ABS, transparent
Material - Dust protection	ABS
Halogen free	yes
RoHS	compliant

Data sheet

Page 3/4

**Keystone wall outlet surface mounted 1 port
unequipped pure white**

P/N

1309140002KE

EAN 4250184140955

2025/09/17

Version: Y

Technical Data**Classifications**

ETIM 7.0	EC001264
ETIM 8.0	EC001264
ETIM 9.0	EC001264
ETIM 10.0	EC001264

Packing details

Type of packaging 40 pc(s) / plastic bag

Application note

This product is a standard product of METZ CONNECT. METZ CONNECT is not aware of the specific intended use of the goods by the Customer or any customers of the Customer. The Customer guarantees that it has fully and sufficiently tested the use of the goods and any product modifications, product changes or product enhancements with regard to the specific intended use in accordance with the state of the art or in any other way. At METZ CONNECT's request, the Customer shall submit and make available meaningful evidence (e.g. test and laboratory protocols, certifications, etc.).



Data sheet

Page 4/4

**Keystone wall outlet surface mounted 1 port
unequipped pure white**

P/N

1309140002KE

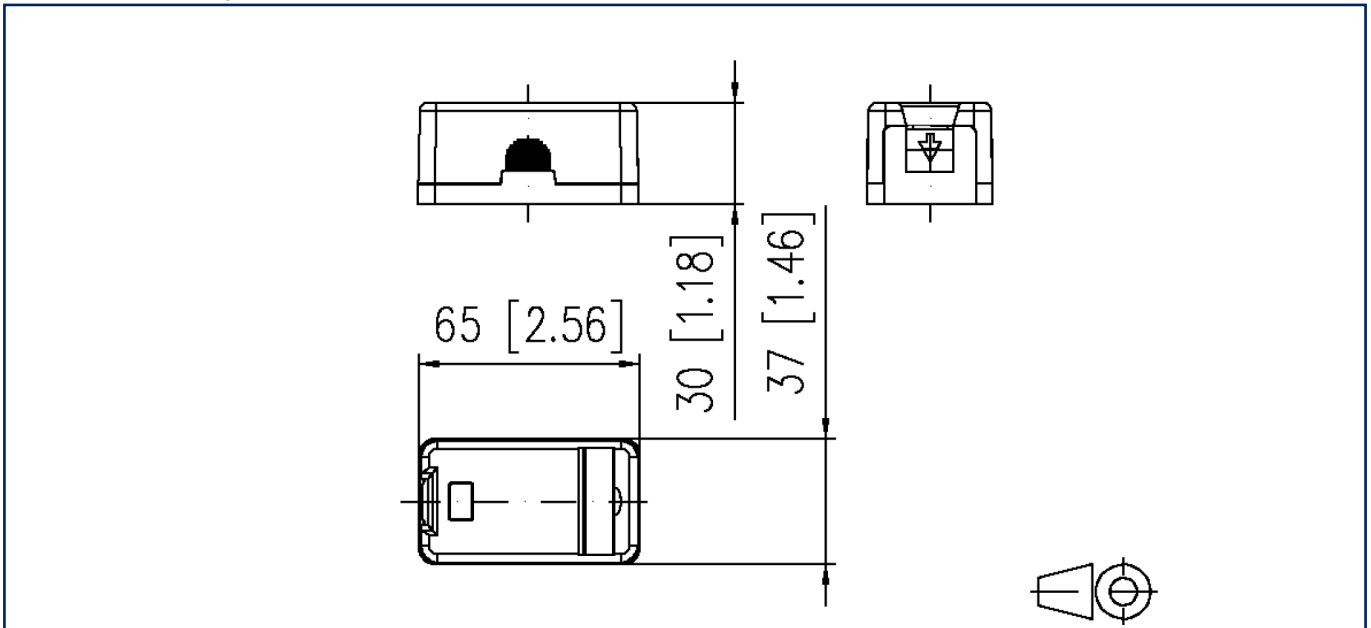
EAN 4250184140955

2025/09/17

Version: Y

Illustrations

Dimensional drawing



Cut-out

