

Data sheet

KRA-SR-M8/21, 1 changeover contact, 24 V AC/DC

Page 1/7

P/N

11064513

EAN 4250184122838

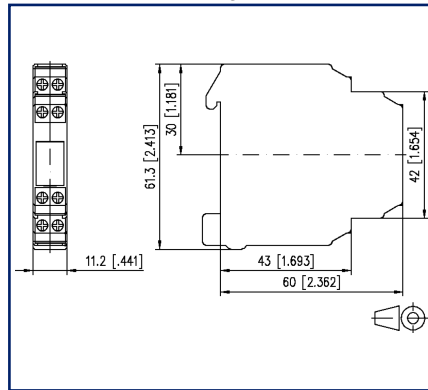
2025/08/19

Version: I

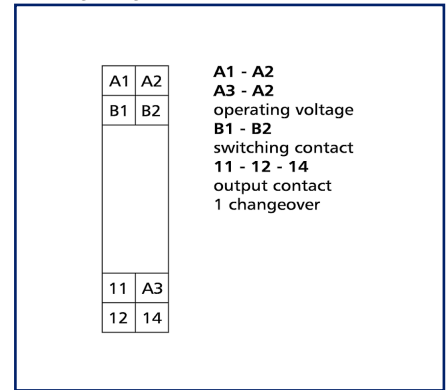
Illustrations



Dimensional drawing



Wiring diagram



See enlarged drawings at the end of document

Product specification

Coupling devices are used to electrical isolation between logic and load.

- Connection with screw-type terminals
- closed compact series
- integrated protective circuit
- with manual control level and automatic checkback



KRA-SR-M8/21, 1 changeover contact, 24 V AC/DC

P/N

11064513

EAN 4250184122838

2025/08/19

Version: I

Technical Data

Supply	
Operating voltage	24 V AC/DC -10% ... +10%
Power consumption (max.)	13 mA
Response time typical	10 ms
Release time typical	5 ms
Manual control level	
Mechanical life	6x10 ⁴ switchings
Switching capacity (max.)	48 V AC/DC / 50 mA
Switching capacity (min.)	20 mV AC / 1 µA
Test voltage	500 V, 50 Hz, 1 min
Outputs	
Contacts	1 changeover contact
Contact material	AgSnO ₂
Switching voltage (max.)	250 V AC/DC
Switch-on current	8 A
Continuous Current	6 A
Switching frequency	600 switching cycles/h
Breaking capacity (resistive load)	
Mechanical life	2x10 ⁷ switching cycles
Electrical life	1x10 ⁵ switching cycles
Indicator	red LED
Insulation coil - contact set	
Nominal voltage of the power supply system	230 / 400 V AC
Overvoltage category	III II
Degree of pollution	2 2
Rated test voltage	4 kV 2.5 kV
Type of insulation	basic insulation reinforced insulation

KRA-SR-M8/21, 1 changeover contact, 24 V AC/DC

P/N

11064513

EAN 4250184122838

2025/08/19

Version: I

Technical Data

Housing

Dimensions

Dimension (W x H x D)	11.2 mm x 61.3 mm x 60 mm
Dimension (W x H x D)	0.441 in. x 2.413 in. x 2.362 in.
Total depth with switch/plug	69 mm
Weight	45 g
Mounting style	Standard rail TH35
Mounting position	any
Apposition	without distance
Connection type	Screw type terminal blocks

Terminal blocks

Wire cross section solid	0.2 mm ² - 2.5 mm ² / AWG 22-12
Wire cross section multi	0.25 mm ² - 2.5 mm ² / AWG 22-12
Wire cross section with wire ferrule	0.25 mm ² - 2.5 mm ² / AWG 22-12
Screw torque (max.)	0.5 Nm
Stripping length (min.)	8 mm

Material

Material - Housing	Polyamid 6.6 V0
Color	gray
Material - Terminal block	Polyamid 6.6 V0

Protection category according to IEC 60529

Protection category - housing (acc. to IEC 60529)	IP40
Protection category - terminal blocks (acc. to IEC 60529)	IP20

Climatic Data

Operating

Temperature - Operating °C	-20 °C - 55 °C
Temperature - Operating °F	-4 °F - 131 °F
Relative humidity	max. 85 % non-condensing

Storage

Temperature - Storage °C	-25 °C - 70 °C
Temperature - Storage °F	-13 °F - 158 °F

Data sheet

Page 4/7

KRA-SR-M8/21, 1 changeover contact, 24 V AC/DC

P/N

11064513

EAN 4250184122838

2025/08/19

Version: I

Technical Data**Power loss**

Power loss (typical) coil	300 mW
Power loss (typical) Contact rate	700 mW

Classifications

ETIM 7.0	EC001437
ETIM 8.0	EC001437
ETIM 9.0	EC001437
ETIM 10.0	EC001437

Application note

This product is a standard product of METZ CONNECT. METZ CONNECT is not aware of the specific intended use of the goods by the Customer or any customers of the Customer. The Customer guarantees that it has fully and sufficiently tested the use of the goods and any product modifications, product changes or product enhancements with regard to the specific intended use in accordance with the state of the art or in any other way. At METZ CONNECT's request, the Customer shall submit and make available meaningful evidence (e.g. test and laboratory protocols, certifications, etc.).



Data sheet

Page 5/7

KRA-SR-M8/21, 1 changeover contact, 24 V AC/DC

P/N

11064513**EAN 4250184122838**

2025/08/19

Version: I

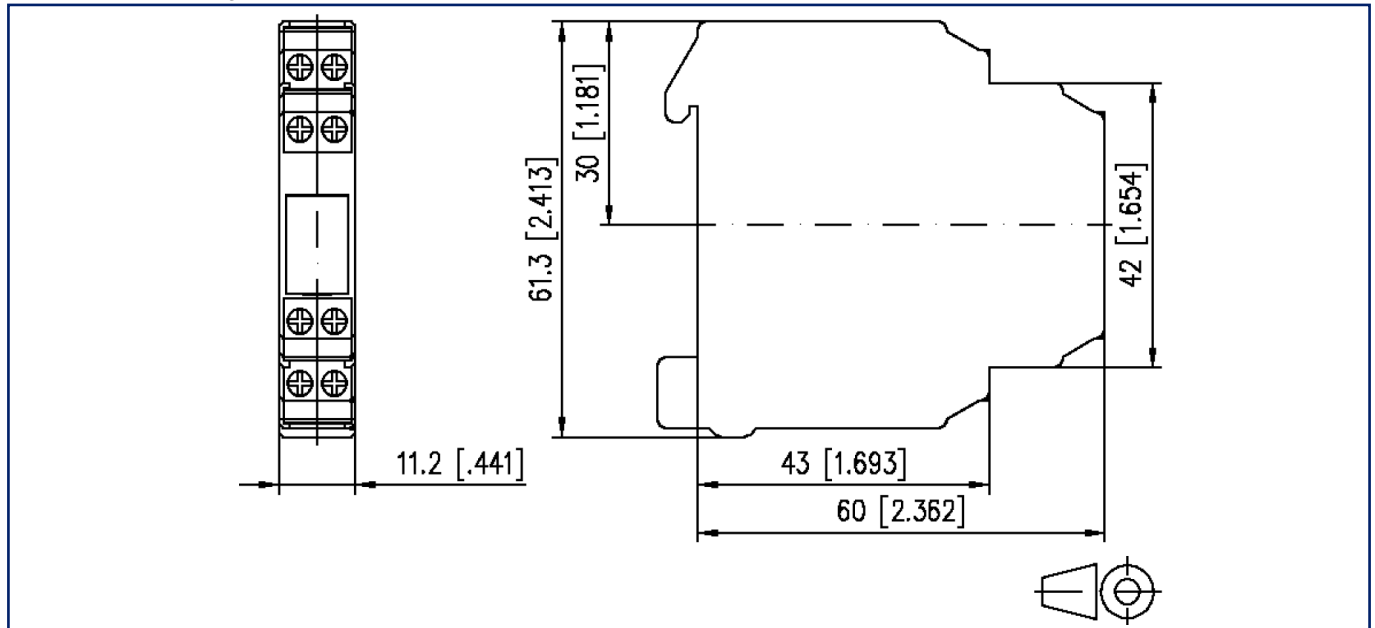
Accessories

P/N	Designation
820234-01-9	Labeling plate white
850349-02	Connecting bridge, 10 pole

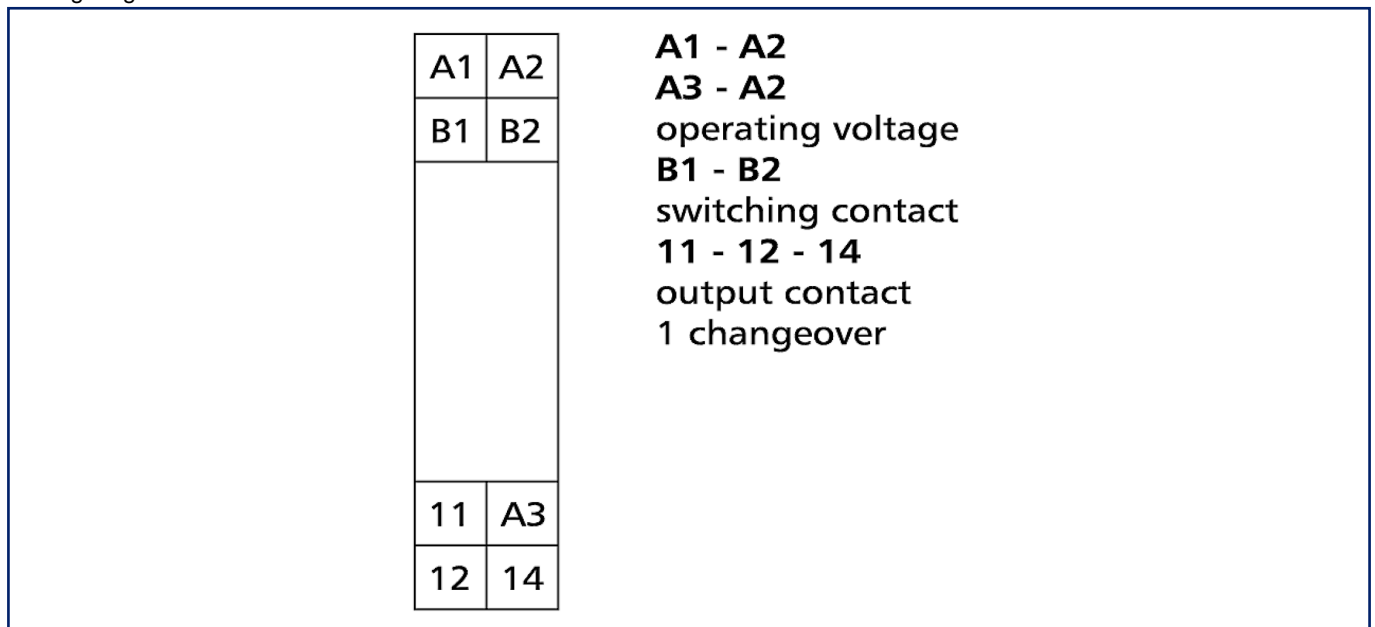


Illustrations

Dimensional drawing



Wiring diagram



Data sheet

Page 7/7

KRA-SR-M8/21, 1 changeover contact, 24 V AC/DC

P/N

11064513

EAN 4250184122838

2025/08/19

Version: I

Illustrations

Circuit diagram

