

# Data sheet

## KRE-M4/1 AC

Page 1/6

P/N

1106312518

EAN 4250184122784

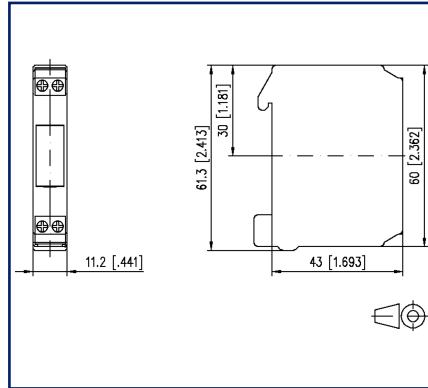
2025/08/20

Version: G

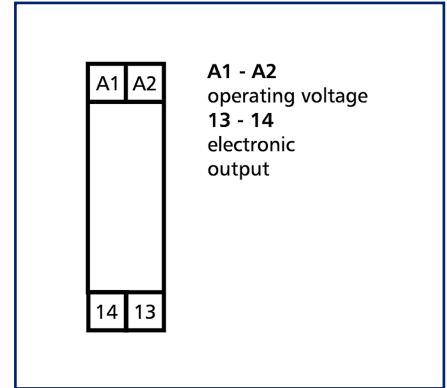
### Illustrations



Dimensional drawing



Wiring diagram



See enlarged drawings at the end of document

### Product specification

Triac couplers are used for switching AC loads.

- Connection with screw-type terminals
- Zero point switch
- RC element



**Data sheet**  
**KRE-M4/1 AC**

Page 2/6

**P/N**  
**1106312518**  
**EAN 4250184122784**  
2025/08/20  
Version: G

**Technical Data**

<b>Supply</b>	
Operating voltage	24 V DC
Power consumption (max.)	10 mA
<b>Outputs</b>	
Switching voltage (max.)	26 - 250 V AC
Continuous Current	0.8 A
Current surge	2 A / 1 s
Indicator	green LED
<b>Housing</b>	
Dimensions	
Dimension (W x H x D)	11.2 mm x 61.3 mm x 43 mm
Dimension (W x H x D)	0.441 in. x 2.413 in. x 1.693 in.
Weight	35 g
Mounting style	Standard rail TH35
Mounting position	any
Apposition	without distance
Connection type	Screw type terminal blocks
<b>Terminal blocks</b>	
Wire cross section solid	0.2 mm <sup>2</sup> - 2.5 mm <sup>2</sup> / AWG 22-12
Wire cross section multi	0.25 mm <sup>2</sup> - 2.5 mm <sup>2</sup> / AWG 22-12
Wire cross section with wire ferrule	0.25 mm <sup>2</sup> - 2.5 mm <sup>2</sup> / AWG 22-12
Screw torque (max.)	0.5 Nm
Stripping length (min.)	8 mm
<b>Material</b>	
Material - Housing	Polyamid 6.6 V0
Color	gray
Material - Terminal block	Polyamid 6.6 V0
<b>Protection category according to IEC 60529</b>	
Protection category - housing (acc. to IEC 60529)	IP40
Protection category - terminal blocks (acc. to IEC 60529)	IP20

**Data sheet**  
**KRE-M4/1 AC**

Page 3/6

P/N

1106312518

EAN 4250184122784

2025/08/20

Version: G

**Technical Data****Climatic Data**

## Operating

Temperature - Operating °C 0 °C - 50 °C

Temperature - Operating °F 32 °F - 122 °F

Relative humidity max. 85 % non-condensing

## Storage

Temperature - Storage °C -10 °C - 70 °C

Temperature - Storage °F 14 °F - 158 °F

**Classifications**

ETIM 7.0 EC002055

ETIM 8.0 EC002055

ETIM 9.0 EC002055

ETIM 10.0 EC002055

**Application note**

This product is a standard product of METZ CONNECT. METZ CONNECT is not aware of the specific intended use of the goods by the Customer or any customers of the Customer. The Customer guarantees that it has fully and sufficiently tested the use of the goods and any product modifications, product changes or product enhancements with regard to the specific intended use in accordance with the state of the art or in any other way. At METZ CONNECT's request, the Customer shall submit and make available meaningful evidence (e.g. test and laboratory protocols, certifications, etc.).



**Data sheet**  
**KRE-M4/1 AC**

Page 4/6

P/N

1106312518

EAN 4250184122784

2025/08/20

Version: G

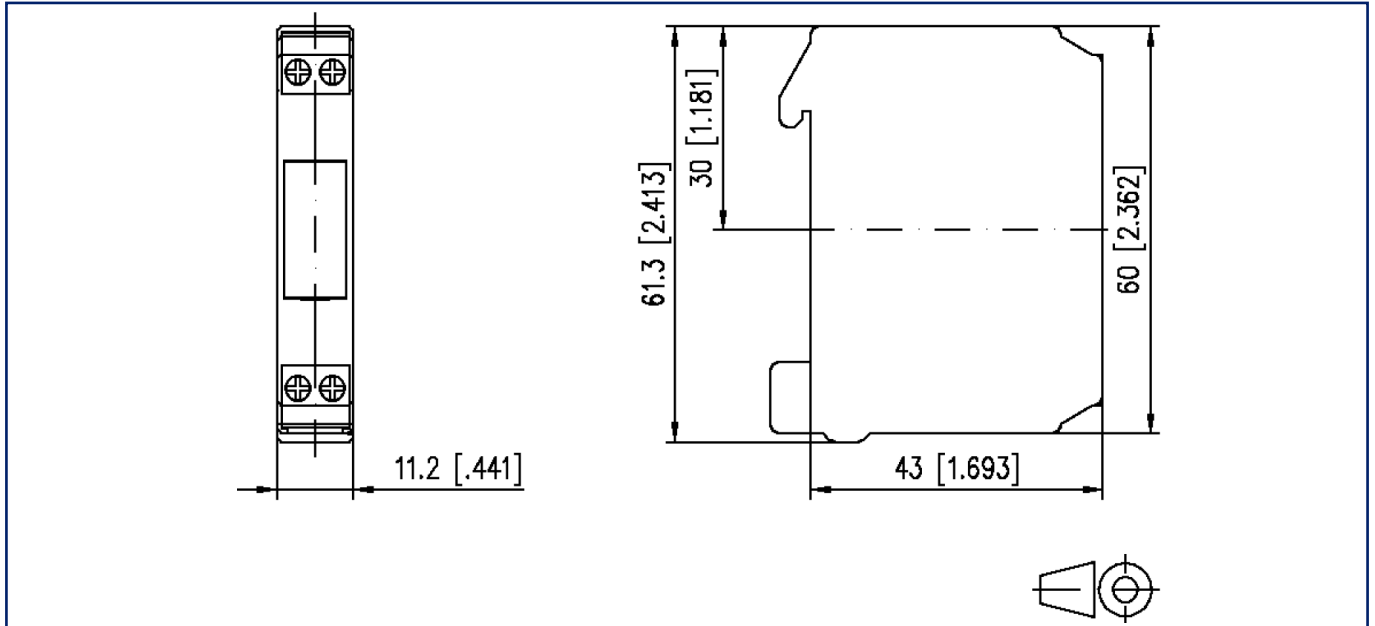
**Accessories**

P/N	Designation
820234-01-9	Labeling plate white

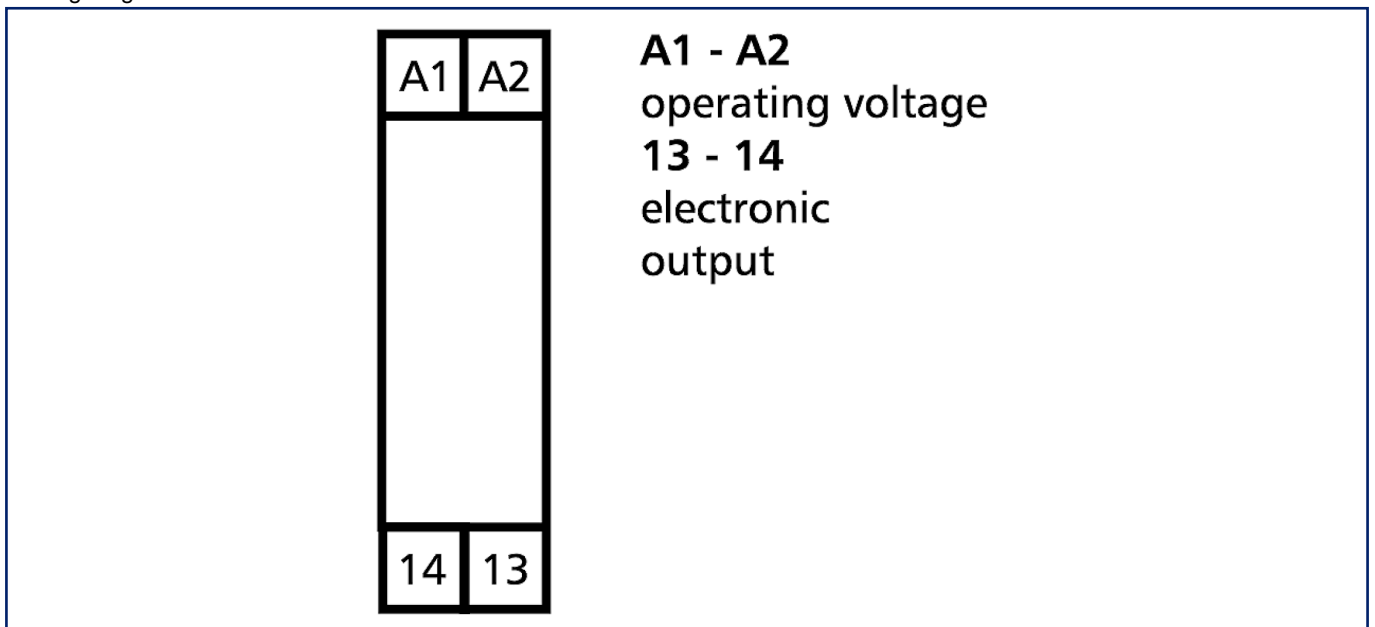


## Illustrations

Dimensional drawing



Wiring diagram



## Illustrations

Circuit diagram

