

Data sheet

LTRk-E12, 230 V AC

Page 1/5

P/N

1102830530

EAN 4250184121053

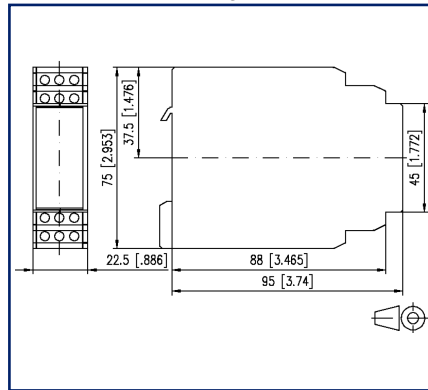
2025/08/20

Version: G

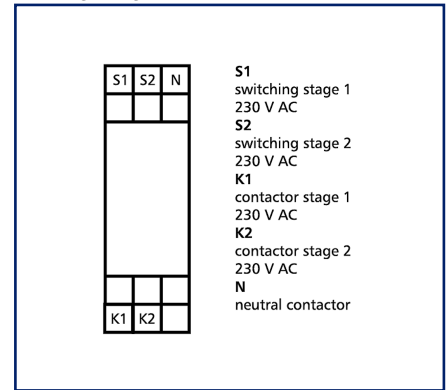
Illustrations



Dimensional drawing



Wiring diagram



See enlarged drawings at the end of document

Product specification

The fan timer relay was designed especially for controlling two-level motors. Response and switch-off delay can be adjusted separately and infinitely. A two-level switch is used for activation. The motor contactors are activated by two mutually blocking outputs. Mode of operation:

- 1. If you directly select level 2, level 1 is first activated for the adjusted start-up time so that the fan can accelerate to nominal speed. Then level 2 is activated.
- 2. When switching from level 2 back to level 1 or switching off, a switch-off delay is activated allowing the fan to run down before level 1 is activated.
- 3. If level 1 has been activated for minimum the adjusted start-up time, it is immediately switched to level 2. When switching from level 1 to 2, the interruption may be max. 250 ms. If this time is exceeded, the procedure is as described under point 1.



Data sheet
LTRk-E12, 230 V AC

Technical Data

Supply

| | |
|---------------------|------------------------|
| Operating voltage | 230 V AC -10% ... +10% |
| Frequency range | 50 ... 60 Hz |
| Duty cycle relative | 100 % |
| Recovery time | 20 ms |

Outputs

| | |
|--------------------------|------------------------------------|
| Contact material | AgSnO ₂ |
| Switching voltage (max.) | corresponds to operating voltage |
| Continuous Current | 6 A |
| Pick-up delay | adjustable up to 30 s |
| Switch-off delay | adjustable up to 60 s |
| Electrical life | 2x10 ⁵ switching cycles |
| Indicator | green LED |

Insulation coil - contact set

| | |
|--|--|
| Nominal voltage of the power supply system | 230 / 400 V AC |
| Overvoltage category | III II |
| Degree of pollution | 2 2 |
| Rated test voltage | 4 kV 2.5 kV |
| Type of insulation | basic insulation reinforced insulation |

Housing

| | |
|-----------------------|----------------------------------|
| Dimensions | |
| Dimension (W x H x D) | 22.5 mm x 75 mm x 95 mm |
| Dimension (W x H x D) | 0.886 in. x 2.953 in. x 3.74 in. |
| Weight | 150 g |
| Mounting style | Standard rail TH35 |
| Mounting position | any |
| Apposition | without distance |
| Connection type | Screw type terminal blocks |

Data sheet

LTRk-E12, 230 V AC

Page 3/5

P/N
1102830530

EAN 4250184121053

2025/08/20

Version: G

Technical Data

Material

| | |
|---------------------------|-----------------|
| Material - Housing | Polyamid 6.6 V0 |
| Color | gray |
| Material - Terminal block | Polyamid 6.6 V0 |
| Material - Covers | Polyamid 6.6 V0 |

Protection category according to IEC 60529

| | |
|---|------|
| Protection category - housing (acc. to IEC 60529) | IP40 |
| Protection category - terminal blocks (acc. to IEC 60529) | IP20 |

Climatic Data

Operating

| | |
|----------------------------|--------------------------|
| Temperature - Operating °C | -5 °C - 55 °C |
| Temperature - Operating °F | 23 °F - 131 °F |
| Relative humidity | max. 85 % non-condensing |

Storage

| | |
|--------------------------|----------------|
| Temperature - Storage °C | -20 °C - 70 °C |
| Temperature - Storage °F | -4 °F - 158 °F |

Classifications

| | |
|-----------|----------|
| ETIM 7.0 | EC001439 |
| ETIM 8.0 | EC001439 |
| ETIM 9.0 | EC001439 |
| ETIM 10.0 | EC001439 |

Application note

This product is a standard product of METZ CONNECT. METZ CONNECT is not aware of the specific intended use of the goods by the Customer or any customers of the Customer. The Customer guarantees that it has fully and sufficiently tested the use of the goods and any product modifications, product changes or product enhancements with regard to the specific intended use in accordance with the state of the art or in any other way. At METZ CONNECT's request, the Customer shall submit and make available meaningful evidence (e.g. test and laboratory protocols, certifications, etc.).



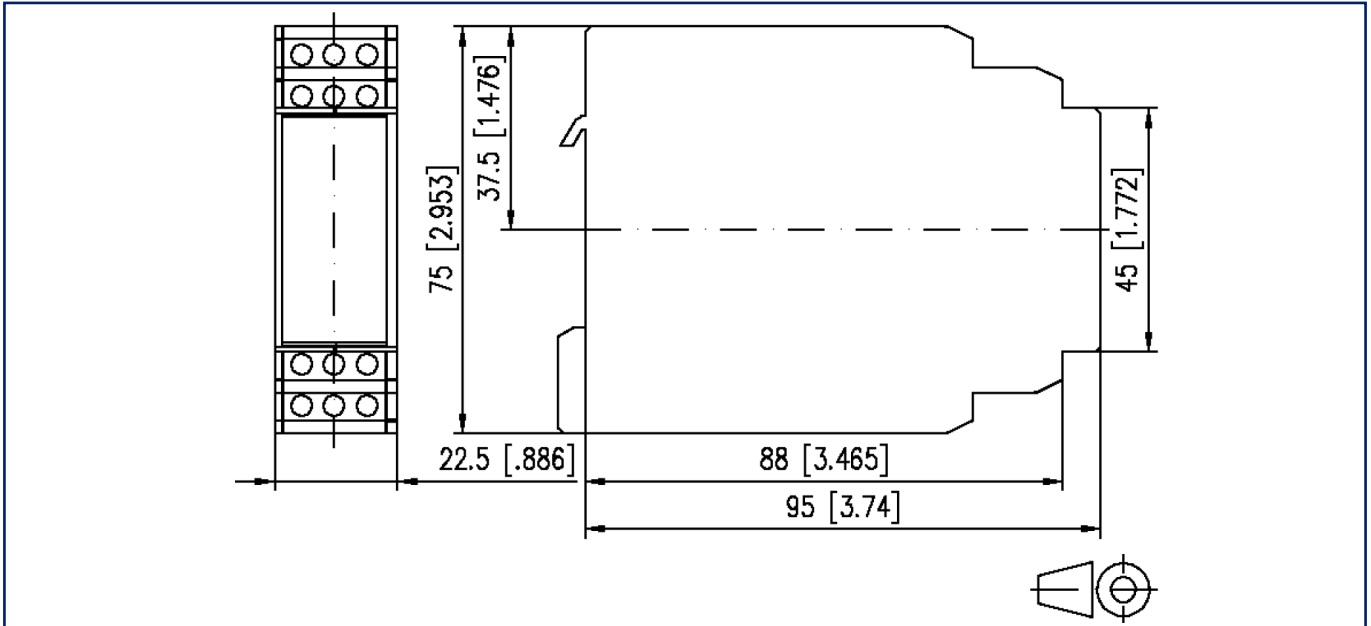
Data sheet
LTRk-E12, 230 V AC

Page 4/5

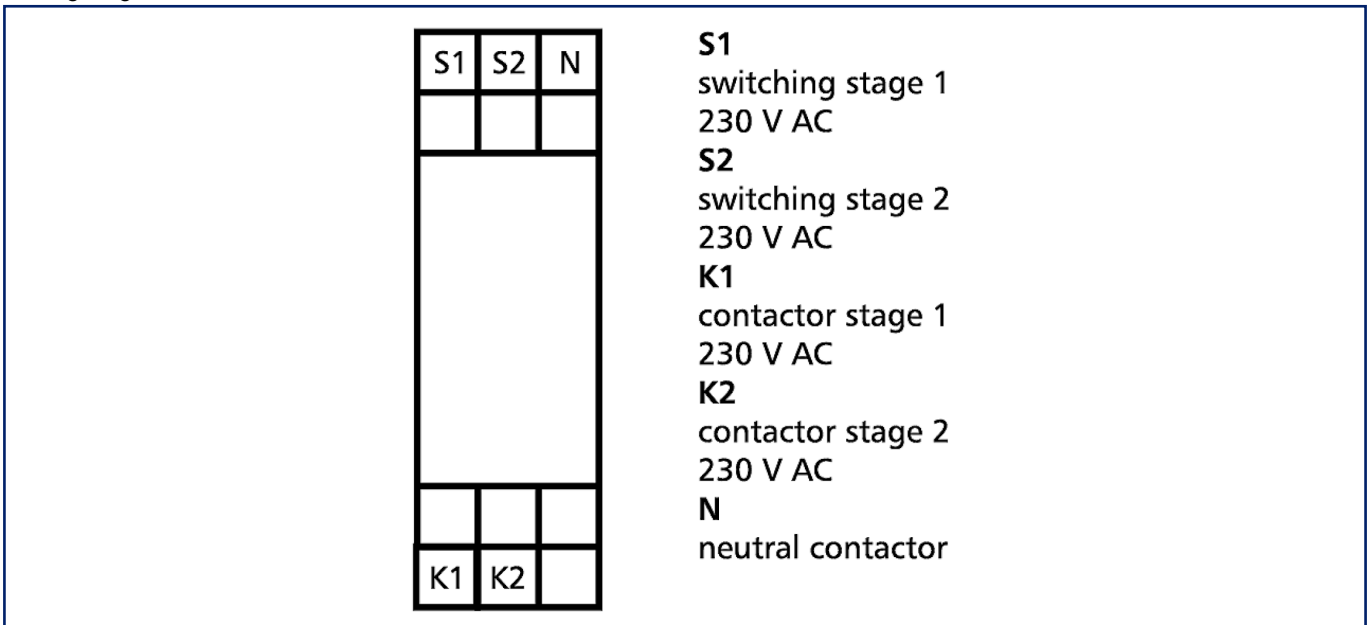
P/N
1102830530
EAN 4250184121053
2025/08/20
Version: G

Illustrations

Dimensional drawing



Wiring diagram



**Data sheet
LTRk-E12, 230 V AC**

Page 5/5

P/N
1102830530

EAN 4250184121053

2025/08/20

Version: G

Illustrations

Circuit diagram

