

# Data sheet

PC board jack M12, X-coded, 8-pole, IP67,  
90° angled, max. 2.5 mm wall thickness, in individual parts

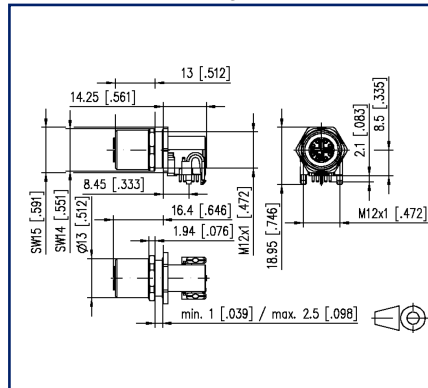
Page 1/7

P/N  
MMT471A315-0003  
EAN 4250184169505  
2026/05/20  
Version: P

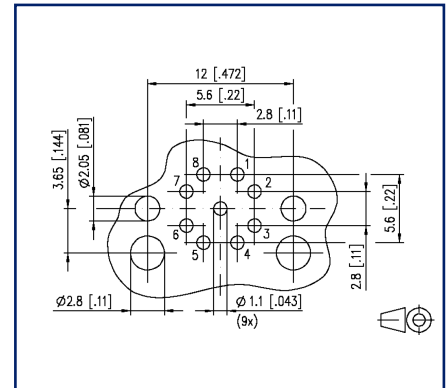
## Illustrations



Dimensional drawing



Drill pattern



See enlarged drawings at the end of document

## Product specification

- PC board jack M12
- 8-pole, X-coded according to IEC 61076-2-109
- 90° angled
- 10 GBit suitable according to IEEE 802.3an
- THR solderable
- Side entry
- Contact carriers green
- IP67 when plugged in
- suitable for a wall thickness up to 2.5 mm
- in individual parts
- suitable for applications in the railway industry according to data sheet



Data sheet

**PC board jack M12, X-coded, 8-pole, IP67,  
90° angled, max. 2.5 mm wall thickness, in individual parts**

P/N  
MMT471A315-0003  
EAN 4250184169505  
2026/05/20  
Version: P

**Technical Data**

**General Data**

Dimensions	
Dimension (L x W x H)	30.65 mm x 16.82 mm x 18.95 mm
Dimension (L x W x H)	1.207 in. x 0.662 in. x 0.746 in.
Jack	M12
Coding	X-coded
For wall thickness (mm)	2.5 mm
For wall thickness (inch)	0.098 in.

**Electrical characteristics**

Rated voltage	50 V AC / 60 V DC
Effective value of the withstand voltage	0.5 kV
Nominal current at 50 °C	max. 0.5 A
Insulation resistance	min. 100 MOhm
Overvoltage category	II
Degree of pollution	2

**Mechanical data**

Material	
Material - Housing	CuZnPb
Material - Contact	CuZnPb
Contact surface	Ni + Au
Life - Number of mating cycles	>= 100
Tightening torque - Plug	0,6 - 1 Nm
Tightening torque - Jack mounting	3 Nm +/- 0,5 Nm (see illustration at the end of the data sheet)
Protection category	IP67 when plugged in

**Climatic properties**

Temperature - Operating °C	-40 °C - 85 °C
Temperature - Operating °F	-40 °F - 185 °F

© 2026 METZ CONNECT - Technische Änderungen vorbehalten! Subject to modifications! Sous réserve de modifications techniques!

Data sheet

Page 3/7

**PC board jack M12, X-coded, 8-pole, IP67,  
90° angled, max. 2.5 mm wall thickness, in individual parts**

P/N  
MMT471A315-0003  
EAN 4250184169505  
2026/05/20  
Version: P

**Technical Data****Approvals**

Approval mark UL/CSA E178484

**Packaging**

Type of packaging 5 pc(s) / blister packaging

**Standards/Regulations**

Railway applications

Insulating body PA UL 94 V0 complies with HL1-HL3; R26 according to EN 45545-2:2020+A1:2023

Flammable mass (g) 0.62 g

Sealings Elastomer

Flammable mass (g) 0.17 g

**Classifications**

ETIM 7.0 EC002637

ETIM 8.0 EC002637

ETIM 9.0 EC002637

ETIM 10.0 EC002637

**Application note**

This product is a standard product of METZ CONNECT. METZ CONNECT is not aware of the specific intended use of the goods by the Customer or any customers of the Customer. The Customer guarantees that it has fully and sufficiently tested the use of the goods and any product modifications, product changes or product enhancements with regard to the specific intended use in accordance with the state of the art or in any other way. At METZ CONNECT's request, the Customer shall submit and make available meaningful evidence (e.g. test and laboratory protocols, certifications, etc.).



Data sheet

Page 4/7

**PC board jack M12, X-coded, 8-pole, IP67,  
90° angled, max. 2.5 mm wall thickness, in individual parts**

P/N  
MMT471A315-0003  
EAN 4250184169505  
2026/05/20  
Version: P

## Accessories

P/N	Designation
700701	M12 screw plug for jacks IP54





Data sheet

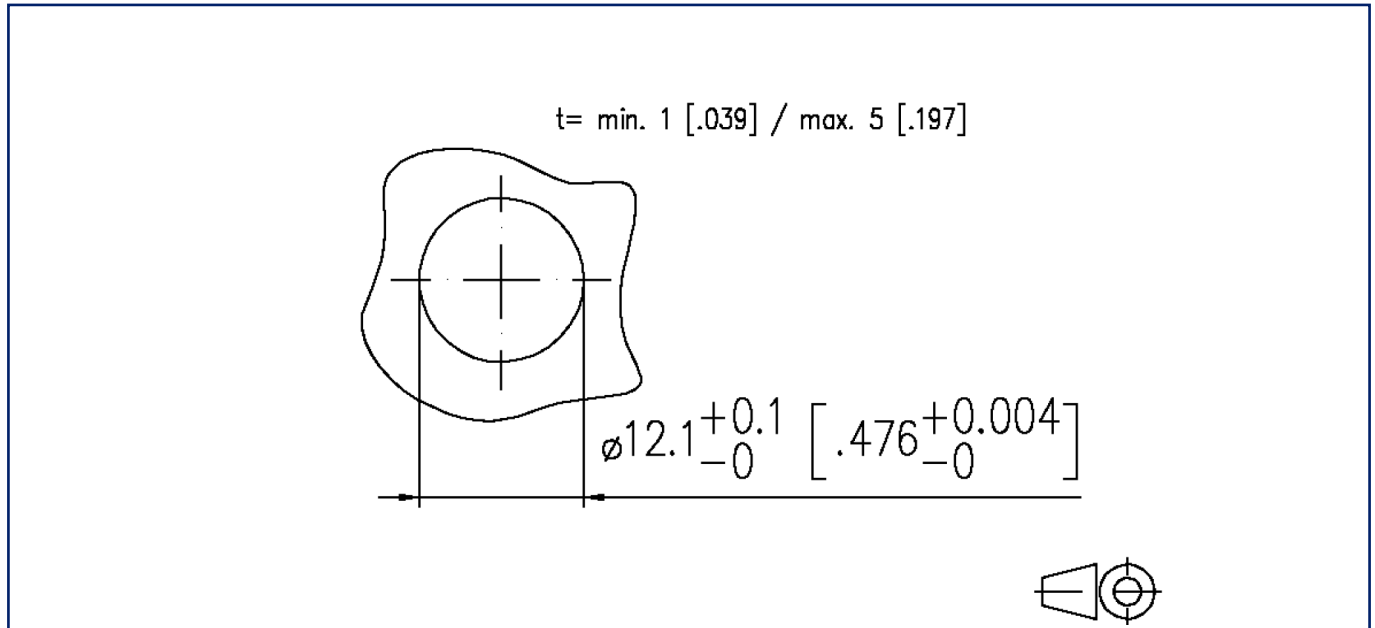
Page 6/7

**PC board jack M12, X-coded, 8-pole, IP67,  
90° angled, max. 2.5 mm wall thickness, in individual parts**

P/N  
MMT471A315-0003  
EAN 4250184169505  
2026/05/20  
Version: P

## Illustrations

Cut-out



Data sheet

Page 7/7

**PC board jack M12, X-coded, 8-pole, IP67,  
90° angled, max. 2.5 mm wall thickness, in individual parts**

P/N

MMT471A315-0003

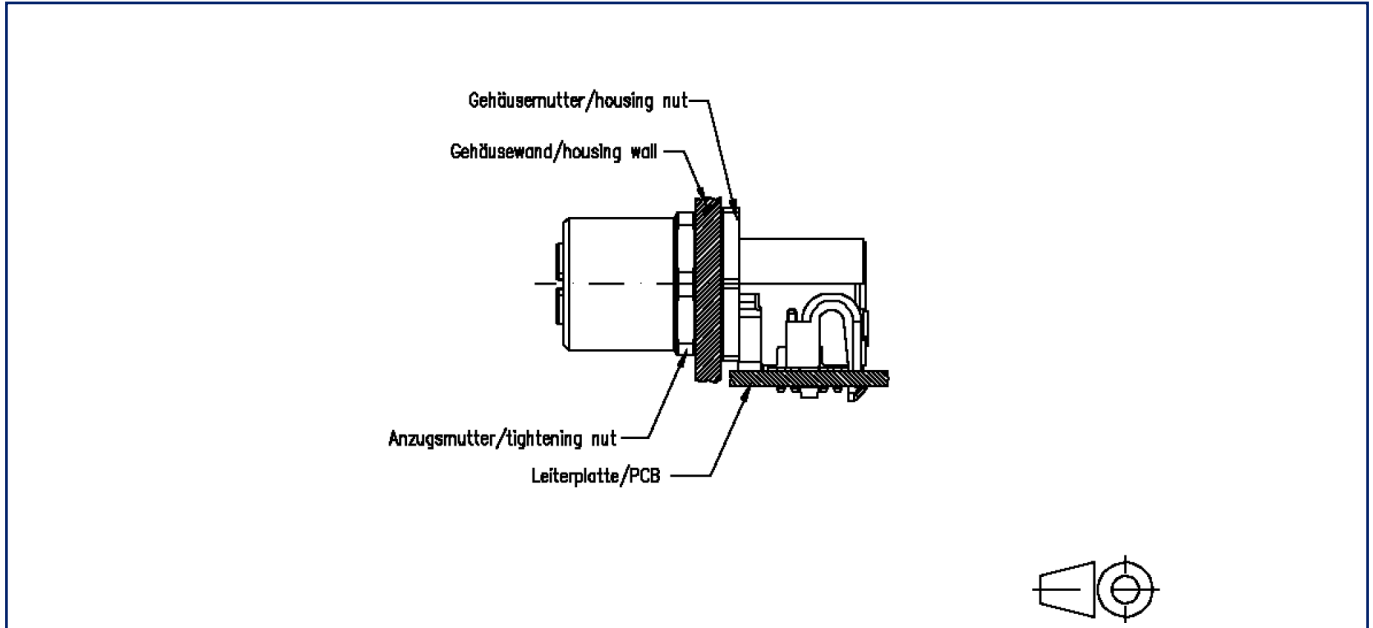
EAN 4250184169505

2026/05/20

Version: P

**Illustrations**

Mounting instruction



Tightening torque - Jack mounting

3 Nm +/- 0,5 Nm (Measured between tightening nut and housing nut)

