

# Data sheet

PC board jack M12, D-coded, 4-pole, rear mounting, IP67 in unmated condition, potted

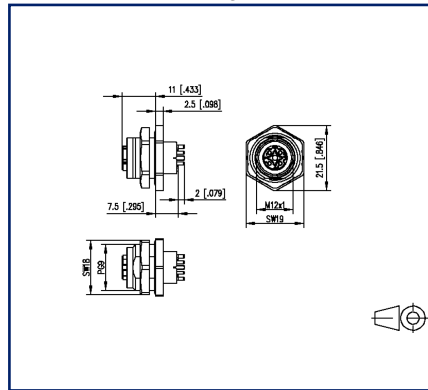
Page 1/5

P/N  
MMT371A115-0009  
EAN 4251394630717  
2026/05/20  
Version: S

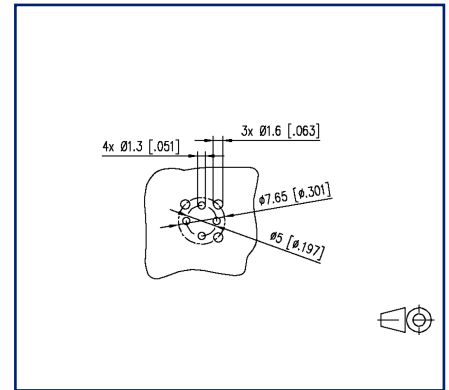
## Illustrations



Dimensional drawing



Drill pattern



See enlarged drawings at the end of document

## Product specification

- PC board jack M12
- Cat.5
- 4-pole, D-coded according to IEC 61076-02-101
- rear wall mounting
- for 100 MBit Fast Ethernet (IEEE 802.3an)
- wave solderable
- Top entry
- Contact carriers green
- IP67 in unmated condition
- suitable for applications in the railway industry according to data sheet



Data sheet

**PC board jack M12, D-coded, 4-pole, rear mounting, IP67 in unmated condition, potted**

P/N  
**MMT371A115-0009**  
**EAN 4251394630717**  
 2026/05/20  
 Version: S

**Technical Data**

**General Data**

Dimensions	
Dimension (D x H)	Ø 21.5 mm x 20.5 mm
Dimension (D x H)	0.846 in. x 0.807 in.
Ports	Single port
Solderability	Acc. to JEDEC JESD22-B102E 245°C/5s
Coding	D-coded

**Electrical characteristics**

Rated voltage	250 V
Effective value of the withstand voltage	1.4 kV
Current carrying capacity at 40 °C	4 A
Insulation resistance	min. 100 MOhm
Overvoltage category	II
Degree of pollution	2

**Mechanical data**

Material	
Material - Housing	CuZnPb
Material - Contact	CuZnPb
Contact surface	Ni + Au
Shield material	CuSn
Color	metallike
Life - Number of mating cycles	>= 100
Tightening torque - Plug	0,6 - 1 Nm
Tightening torque - Jack mounting	3 Nm +/- 0,5 Nm
Protection category	IP67 in unmated condition

**Climatic properties**

Temperature - Operating °C	-25 °C - 85 °C
Temperature - Operating °F	-13 °F - 185 °F

© 2026 METZ CONNECT - Technische Änderungen vorbehalten! Subject to modifications! Sous réserve de modifications techniques!

**PC board jack M12, D-coded, 4-pole, rear mounting, IP67 in unmated condition, potted**

P/N  
**MMT371A115-0009**  
**EAN 4251394630717**  
 2026/05/20  
 Version: S

**Technical Data**

**Packaging**

Type of packaging 10 pc(s) / blister packaging

**Standards/Regulations**

Railway applications

Insulating body	PA UL 94 V0 complies with HL1-HL3; R26 according to EN 45545-2:2020+A1:2023
Flammable mass (g)	0.62 g
Sealings	Elastomer
Flammable mass (g)	0.18 g
Salt spray	DIN EN 50155:2018-05, (DIN EN 60068-2-11:2000-02/ 48h test KA)
Shock and vibration	DIN EN 50155:2018-05, DIN EN 61373:2011-04 Class 1 Category B

**Classifications**

ETIM 7.0	EC002637
ETIM 8.0	EC002637
ETIM 9.0	EC002637
ETIM 10.0	EC002637

**Application note**

This product is a standard product of METZ CONNECT. METZ CONNECT is not aware of the specific intended use of the goods by the Customer or any customers of the Customer. The Customer guarantees that it has fully and sufficiently tested the use of the goods and any product modifications, product changes or product enhancements with regard to the specific intended use in accordance with the state of the art or in any other way. At METZ CONNECT's request, the Customer shall submit and make available meaningful evidence (e.g. test and laboratory protocols, certifications, etc.).

© 2026 METZ CONNECT - Technische Änderungen vorbehalten! Subject to modifications! Sous réserve de modifications techniques!

Data sheet

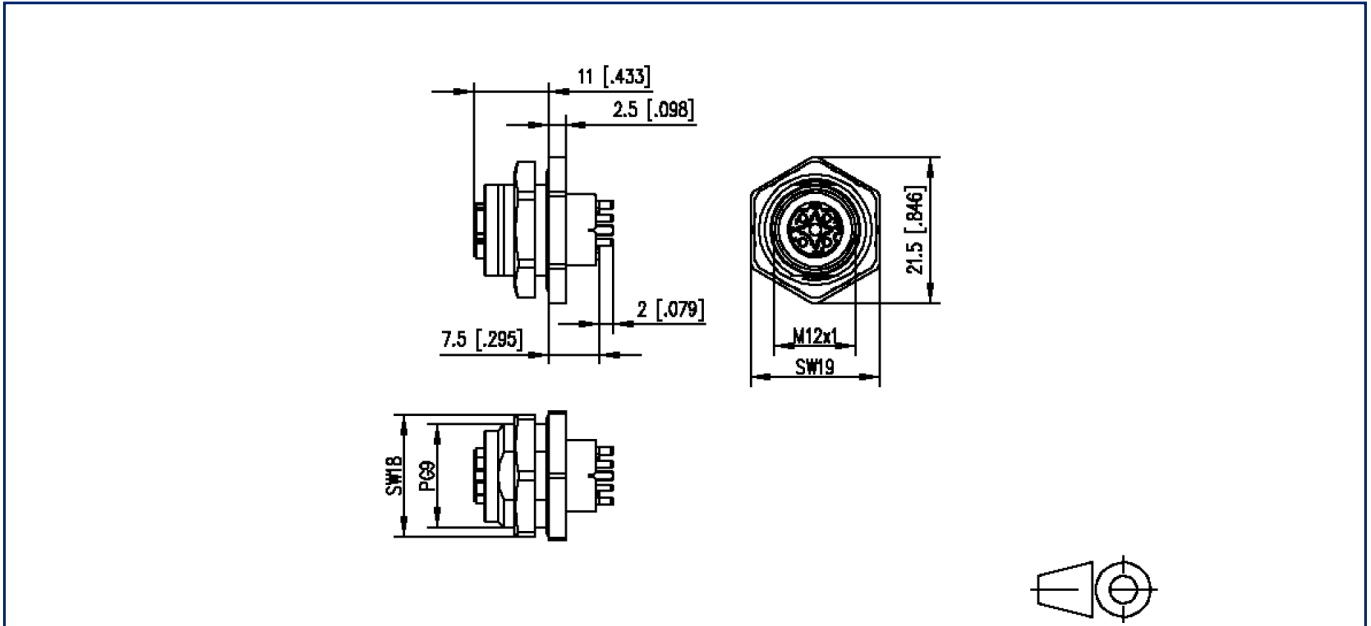
Page 4/5

**PC board jack M12, D-coded, 4-pole, rear mounting,  
IP67 in unmated condition, potted**

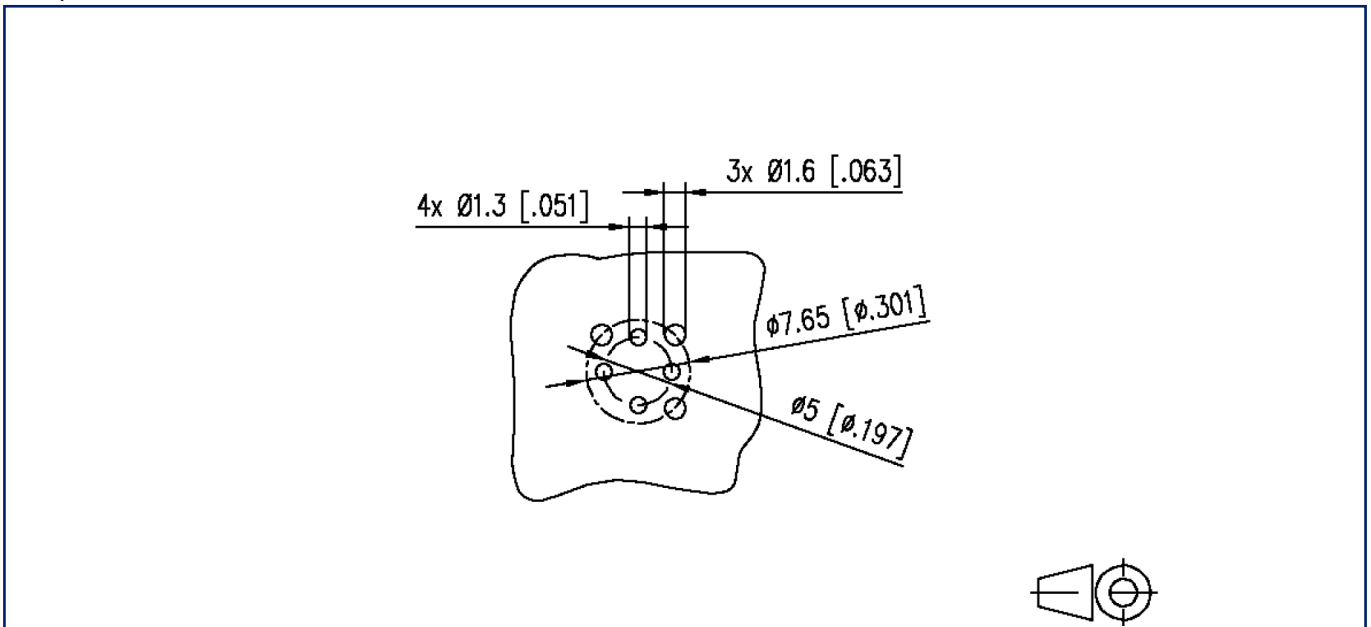
P/N  
MMT371A115-0009  
EAN 4251394630717  
2026/05/20  
Version: S

## Illustrations

Dimensional drawing



Drill pattern



Data sheet

Page 5/5

**PC board jack M12, D-coded, 4-pole, rear mounting,  
IP67 in unmated condition, potted**

P/N

MMT371A115-0009

EAN 4251394630717

2026/05/20

Version: S

## Illustrations

Cut-out

