

Data sheet

PC board jack M12, A-coded, 5-pole, IP67

Page 1/4

P/N

MMT361A815

EAN 4251394631974

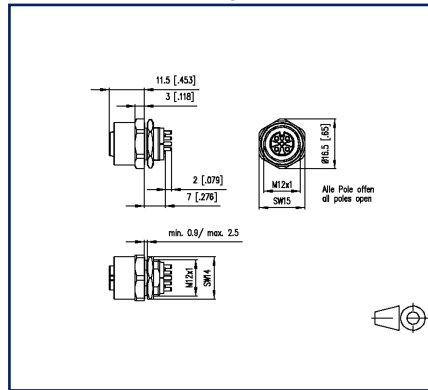
2026/05/20

Version: N

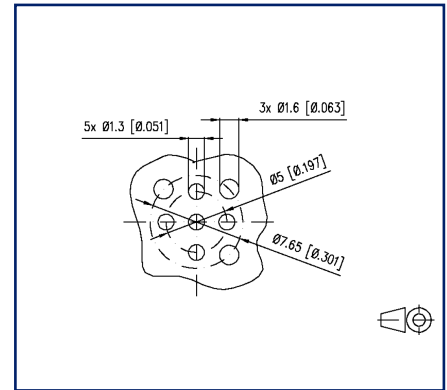
Illustrations



Dimensional drawing



Drill pattern



See enlarged drawings at the end of document

Product specification

- PC board jack M12
- Front wall mounting
- 5-pole, A-coded according to IEC 61076-2-101
- THR solderable
- Top entry
- Contact carriers black
- IP67 when plugged in
- suitable for applications in the railway industry according to data sheet



PC board jack M12, A-coded, 5-pole, IP67

P/N

MMT361A815

EAN 4251394631974

2026/05/20

Version: N

Technical Data

General Data

Dimensions	
Dimension (D x H)	Ø 16.5 mm x 20.5 mm
Dimension (D x H)	0.65 in. x 0.807 in.
Ports	Single port
Solderability	Acc. to IPC/JEDEC J-STD-020E-MSL 1
Coding	A-coded

Electrical characteristics

Rated voltage	60 V
Effective value of the withstand voltage	1 kV
Current carrying capacity at 40 °C	4 A
Insulation resistance	min. 100 MOhm
Overvoltage category	II
Degree of pollution	2

Mechanical data

Material	
Material - Housing	CuZnPb
Material - Contact	CuZnPb
Contact surface	Ni + Au
Color	black
RoHS	compliant
Life - Number of mating cycles	>= 100
Tightening torque - Plug	0,6 - 1 Nm
Tightening torque - Jack mounting	3 Nm +/- 0,5 Nm
Protection category	IP67 when plugged in

Climatic properties

Temperature - Operating °C	-40 °C - 85 °C
Temperature - Operating °F	-40 °F - 185 °F



PC board jack M12, A-coded, 5-pole, IP67

P/N

MMT361A815

EAN 4251394631974

2026/05/20

Version: N

Technical Data**Approvals**

Approval mark UL/CSA E305050

Packaging

Type of packaging 10 pc(s) / blister packaging

Standards/Regulations

Railway applications

Insulating body	PA UL 94 V0 complies with HL1-HL3; R26 according to EN 45545-2:2020+A1:2023
Flammable mass (g)	0.83 g
Sealings	Elastomer
Flammable mass (g)	0.06 g
Salt spray	DIN EN 50155:2018-05, (DIN EN 60068-2-11:2000-02/ 48h test KA)
Shock and vibration	DIN EN 50155:2018-05, DIN EN 61373:2011-04 Class 1 Category B

Classifications

ETIM 7.0 EC002637

ETIM 8.0 EC002637

Application note

This product is a standard product of METZ CONNECT. METZ CONNECT is not aware of the specific intended use of the goods by the Customer or any customers of the Customer. The Customer guarantees that it has fully and sufficiently tested the use of the goods and any product modifications, product changes or product enhancements with regard to the specific intended use in accordance with the state of the art or in any other way. At METZ CONNECT's request, the Customer shall submit and make available meaningful evidence (e.g. test and laboratory protocols, certifications, etc.).



Data sheet

Page 4/4

PC board jack M12, A-coded, 5-pole, IP67

P/N

MMT361A815

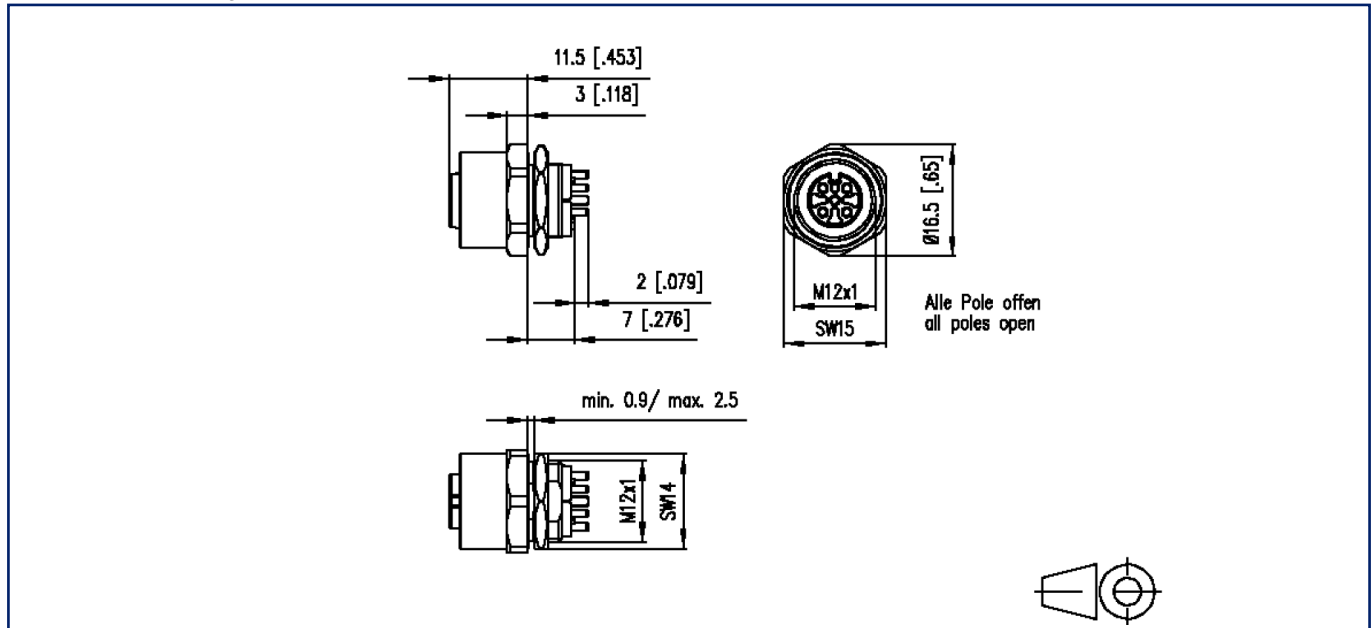
EAN 4251394631974

2026/05/20

Version: N

Illustrations

Dimensional drawing



Drill pattern

