

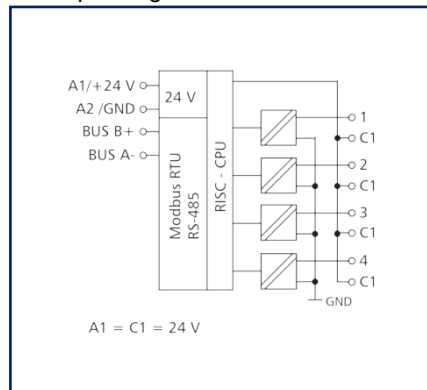
Data sheet

MR-DI4-IP65 Modbus RTU, with external display

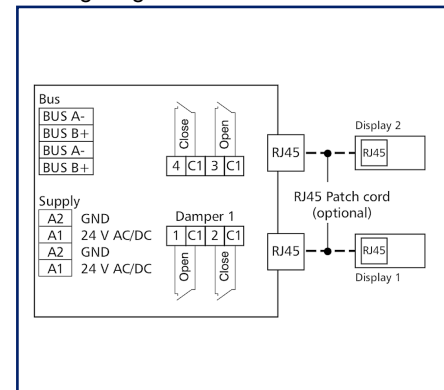
Illustrations



Principle diagram



Wiring diagram



See enlarged drawings at the end of document

Product specification

The Modbus module in a surface mounting housing with 4 digital inputs was developed for decentralized switching tasks. It is suitable for detecting potential-free switch states from electrical limit switches and their external status display such as fire dampers or vent valves. The inputs can be operated by means of potential-free switches or contacts or used as voltage inputs. The inputs can be scanned by means of standard registers via a Modbus master. Module address, bit rate and parity are set with two rotary switches or by software. The device has two externally connectable display modules.



MR-DI4-IP65 Modbus RTU, with external display

P/N
110834131901IP
EAN 4250184162957
2025/08/19

Technical Data

RS485 interface	
Protocol	Modbus RTU
Address range	00 - 99
Bus interface	RS485 two wire bus with potential equalization in bus or line topology terminate with 120 Ohm
Transmission parameters	
Transmission rate	min. 1200 Bit/s (Bd) max. 115200 Bit/s (Bd)
Transmission rate default setting	19200 Bit/s (Bd)
Parity	Odd Even (default setting) None
Stopbits	1 (default setting) 2
Supply	
Operating voltage	24 V AC/DC +/- 10 % (SELV)
Power consumption	
Power consumption AC (max.)	50 mA
Power consumption DC (max.)	20 mA
Duty cycle relative	100 %
Inputs	
Digital inputs	4
Voltage input	30 V AC/DC
High signal detection	> 7 V AC/DC
Housing	
Dimensions	
Dimension (W x H x D)	160 mm x 40.7 mm x 120 mm
Dimension (W x H x D)	6.299 in. x 1.602 in. x 4.724 in.
Weight	300 g
Mounting style	directly on a flat surface, 8 knock-out openings for M12 and M16 cable glands
Mounting position	any
Connection type	Spring clamp terminal blocks
Indicator	internal: green, red and yellow LED, external: multi color LED

MR-DI4-IP65 Modbus RTU, with external display

P/N

110834131901IP

EAN 4250184162957

2025/08/19

Technical Data

Terminal blocks	
Supply and bus	
Terminal block	4-pole
Solid wire (AWG)	max. 1.5 mm ² / max. 16 AWG
Stranded wire (AWG)	max. 1 mm ² / max. 18 AWG
Wire diameter	min. 0.3 mm max. 1.4 mm
Module connection	
Wire cross section solid	0.2 mm ² - 1.5 mm ² / AWG 28-18
Wire cross section multi	0.08 mm ² - 0.75 mm ² / AWG 28-18
Wire cross section with wire ferrule	0.08 mm ² - 0.75 mm ² / AWG 28-20
Stripping length (min.)	4 mm
Protection circuit	Polarity reversal protection for DC operating voltage Protection against interchanging power supply and bus
Connection for external display modules	
RJ45 jack contact 1	1
RJ45 jack contact 2	1
Material	
Color	gray
Material - Terminal block	Polyamid 6.6 V0
Material - Covers	Polycarbonat
Protection category according to IEC 60529	
Protection category - housing (acc. to IEC 60529)	IP65
Protection category - terminal blocks (acc. to IEC 60529)	IP20
Climatic Data	
Operating	
Temperature - Operating °C	-5 °C - 55 °C
Temperature - Operating °F	23 °F - 131 °F
Relative humidity	max. 85 % non-condensing
Storage	
Temperature - Storage °C	-20 °C - 70 °C
Temperature - Storage °F	-4 °F - 158 °F

Data sheet

Page 4/7

MR-DI4-IP65 Modbus RTU, with external display

P/N

110834131901IP

EAN 4250184162957

2025/08/19

Technical Data**Classifications**

ETIM 7.0	EC000688
ETIM 8.0	EC000688
ETIM 9.0	EC000688
ETIM 10.0	EC000688

Software and additional documents

Software and documentation

Further documentation is available for free download at www.metz-connect.com**Application note**

This product is a standard product of METZ CONNECT. METZ CONNECT is not aware of the specific intended use of the goods by the Customer or any customers of the Customer. The Customer guarantees that it has fully and sufficiently tested the use of the goods and any product modifications, product changes or product enhancements with regard to the specific intended use in accordance with the state of the art or in any other way. At METZ CONNECT's request, the Customer shall submit and make available meaningful evidence (e.g. test and laboratory protocols, certifications, etc.).



Data sheet

Page 5/7

MR-DI4-IP65 Modbus RTU, with external display

P/N

110834131901IP

EAN 4250184162957

2025/08/19

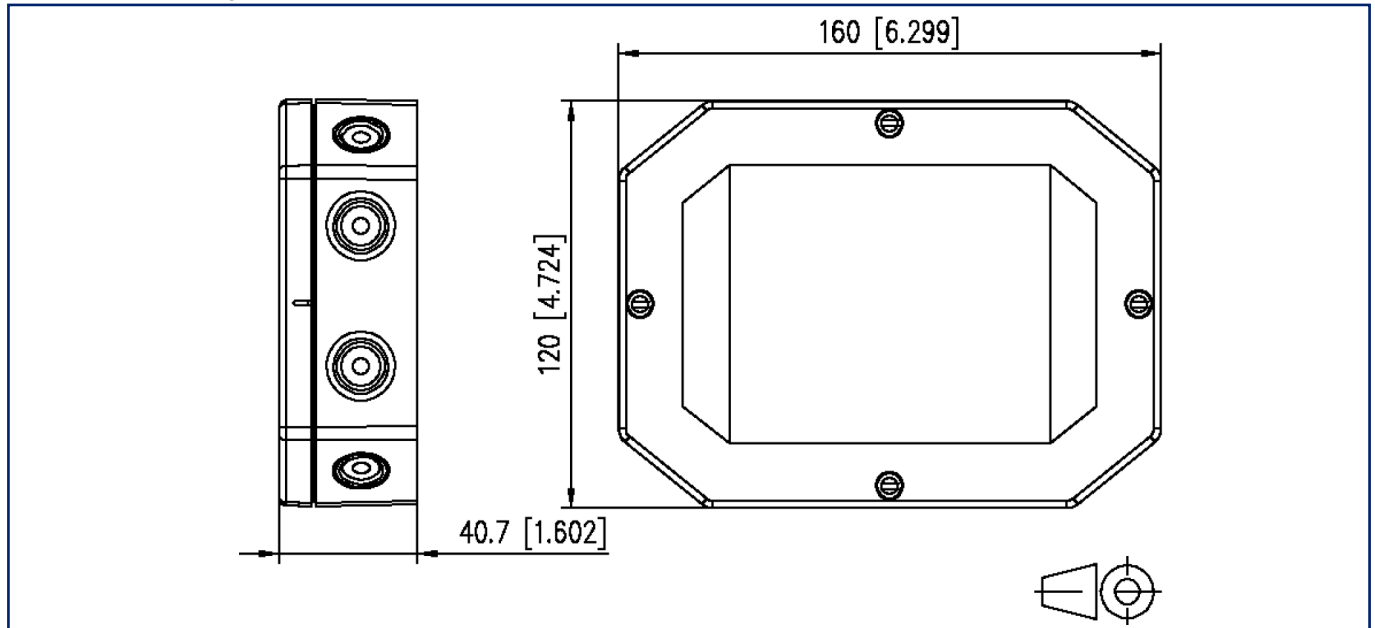
Accessories

P/N	Designation
110486	HUB DC
110561	Power supply NG4 24 V DC
ASP0250404	SP025xxHDNC ASP025

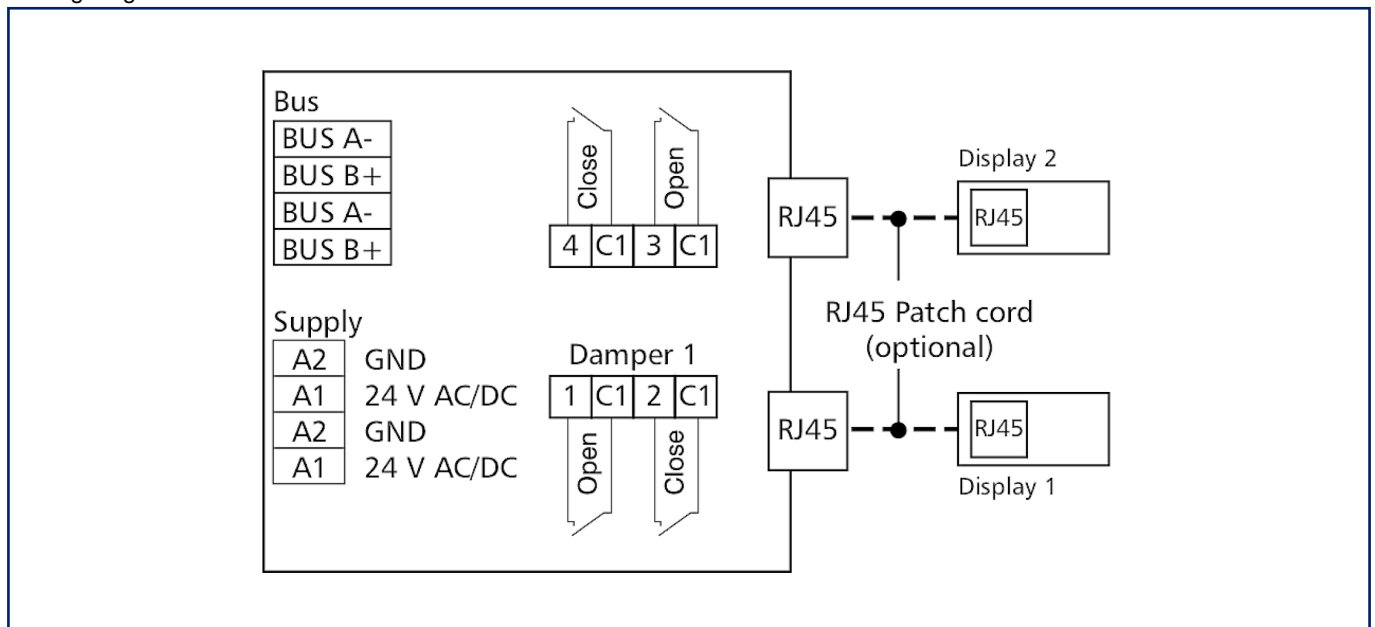


Illustrations

Dimensional drawing



Wiring diagram



MR-DI4-IP65 Modbus RTU, with external display

P/N

110834131901IP

EAN 4250184162957

2025/08/19

Illustrations

Principle diagram

