

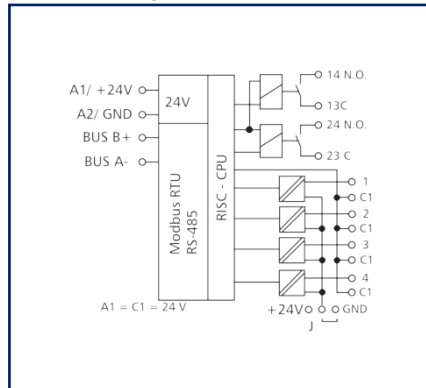
# Data sheet

## MR-DIO4/2S Modbus RTU

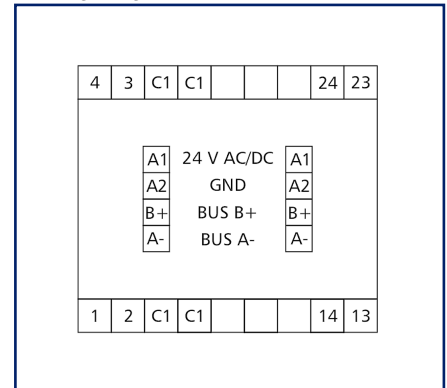
### Illustrations



Principle diagram



Wiring diagram



See enlarged drawings at the end of document

### Product specification

The Modbus module with 4 digital inputs and 2 relay outputs with manual control was developed for decentralized switching tasks. It is suitable for accommodating, for example, light switches and window contacts in a room, switching 2 light strips or controlling louvers. It can also be used to control 2 motorized fire dampers. In this case it is necessary to protect the relay contacts by appropriate load-dependent measures. The inputs can be used as contact or voltage inputs. The inputs and outputs can be switched and scanned by means of standard registers via a Modbus master. Module address, bit rate and parity are set with 2 rotary switches on the front or by software. Suitable for decentralized mounting on DIN TH35 rail according to IEC 60715 in electrical distribution cabinets.

- Connection with screw type terminal blocks

**Data sheet**  
**MR-DIO4/2S Modbus RTU**

**P/N**  
**110833132601**  
**EAN 4250184173595**  
2025/10/20  
Version: O

**Technical Data**

**Approvals**



Open Energy Management Equipment 34TZ

**RS485 interface**

Protocol	Modbus RTU
Address range	00 - 99
Bus interface	RS485 two wire bus with potential equalization in bus or line topology terminate with 120 Ohm
Transmission parameters	
Transmission rate	min. 1200 Bit/s (Bd) max. 115200 Bit/s (Bd)
Transmission rate default setting	19200 Bit/s (Bd)
Parity	Odd Even (default setting) None
Stopbits	1 (default setting) 2

**Supply**

Operating voltage	24 V AC/DC +/- 10 % (SELV)
Power consumption	
Power consumption AC (max.)	80 mA
Power consumption DC (max.)	40 mA
Duty cycle relative	100 %

**Inputs**

Digital inputs	4
Voltage input	30 V AC/DC
High signal detection	> 7 V AC/DC

# MR-DIO4/2S Modbus RTU

P/N

110833132601

EAN 4250184173595

2025/10/20

Version: O

## Technical Data

Outputs	
Digital outputs	2
Relay output	2 normally open contacts
Switching voltage relay output (max.)	250 V AC
Continuous current relay output	16 A / relay
Switch-on current relay output (max.)	160 A < 20 ms
Mechanical life	30x10 <sup>6</sup> switching cycles
Electrical life	9x10 <sup>4</sup> switching cycles
Isolation	
Nominal voltage of the power supply system	230 / 400 V AC
Overvoltage category	III   II
Degree of pollution	2   2
Rated test voltage	4 kV   4 kV
Type of insulation	basic insulation   reinforced insulation
Housing	
Dimensions	
Dimension (W x H x D)	50 mm x 69.3 mm x 60 mm
Dimension (W x H x D)	1.969 in. x 2.728 in. x 2.362 in.
Total depth with switch/plug	69 mm
Weight	126 g
Mounting style	Standard rail TH35
Mounting position	any
Apposition	without distance The maximum quantity of Modbus modules connected side-by-side is limited to 15 or to a maximum power consumption of 2 Amps (AC or DC) per connection to the power supply. For any similar block of additional modules a separate connection to the power supply is necessary.
Connection type	Screw type terminal blocks
Indicator	green, red and yellow LED

# MR-DIO4/2S Modbus RTU

P/N

110833132601

EAN 4250184173595

2025/10/20

Version: O

## Technical Data

### Terminal blocks

#### Supply and bus

Terminal block	4-pole
Solid wire (AWG)	max. 1.5 mm <sup>2</sup> / max. 16 AWG
Stranded wire (AWG)	max. 1 mm <sup>2</sup> / max. 18 AWG
Wire diameter	min. 0.3 mm max. 1.4 mm

#### Module connection

Wire cross section solid	0.34 mm <sup>2</sup> - 2.5 mm <sup>2</sup> / AWG 22-12
Wire cross section multi	0.25 mm <sup>2</sup> - 2.5 mm <sup>2</sup> / AWG 22-12
Wire cross section with wire ferrule	0.25 mm <sup>2</sup> - 2.5 mm <sup>2</sup> / AWG 22-12
Screw torque (max.)	0.5 Nm
Stripping length (min.)	8 mm

Protection circuit	Polarity reversal protection for DC operating voltage Protection against interchanging power supply and bus
--------------------	--

### Material

Color	gray
Material - Terminal block	Polyamid 6.6 V0
Material - Covers	Polycarbonat

### Protection category according to IEC 60529

Protection category - housing (acc. to IEC 60529)	IP40
Protection category - terminal blocks (acc. to IEC 60529)	IP20

### Climatic Data

#### Operating

Temperature - Operating °C	-5 °C - 55 °C
Temperature - Operating °F	23 °F - 131 °F
Relative humidity	max. 85 % non-condensing

#### Storage

Temperature - Storage °C	-20 °C - 70 °C
Temperature - Storage °F	-4 °F - 158 °F

**MR-DIO4/2S Modbus RTU**

P/N

110833132601

EAN 4250184173595

2025/10/20

Version: O

**Technical Data****Classifications**

ETIM 7.0	EC001584
ETIM 8.0	EC001584
ETIM 9.0	EC001584
ETIM 10.0	EC001584

**Software and additional documents**

Software and documentation

Further documentation is available for free download at [www.metz-connect.com](http://www.metz-connect.com)**Application note**

This product is a standard product of METZ CONNECT. METZ CONNECT is not aware of the specific intended use of the goods by the Customer or any customers of the Customer. The Customer guarantees that it has fully and sufficiently tested the use of the goods and any product modifications, product changes or product enhancements with regard to the specific intended use in accordance with the state of the art or in any other way. At METZ CONNECT's request, the Customer shall submit and make available meaningful evidence (e.g. test and laboratory protocols, certifications, etc.).



Data sheet  
**MR-DIO4/2S Modbus RTU**

Page 6/9

P/N  
**110833132601**  
**EAN 4250184173595**  
2025/10/20  
Version: O

## Accessories

P/N	Designation
110369	Terminal block Type 259
110486	HUB DC
110561	Power supply NG4 24 V DC
31135104	Typ 135 RIACON 135_3.5



Data sheet

Page 7/9

**MR-DIO4/2S Modbus RTU**

P/N

110833132601

EAN 4250184173595

2025/10/20

Version: O

**Accessories from**

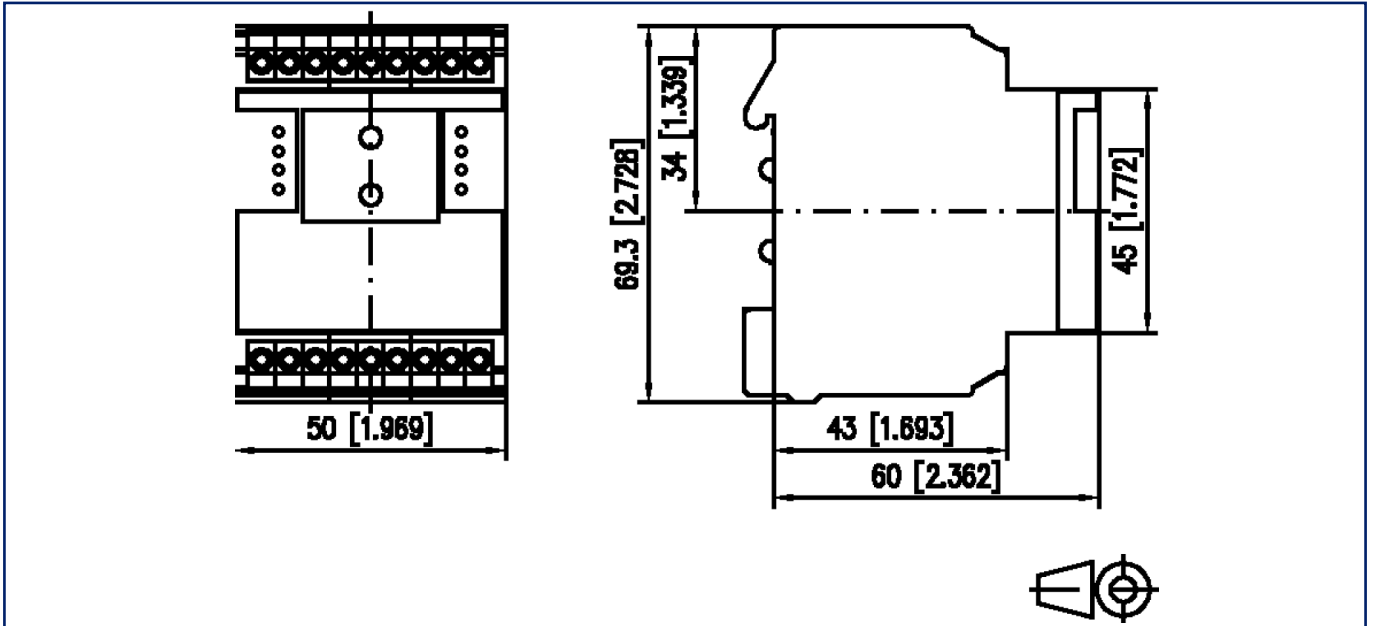
P/N	Designation
11083001	MR-GW Modbus RTU / Modbus TCP Gateway
1108300170	MR-F-GW Modbus RTU / Modbus TCP Gateway



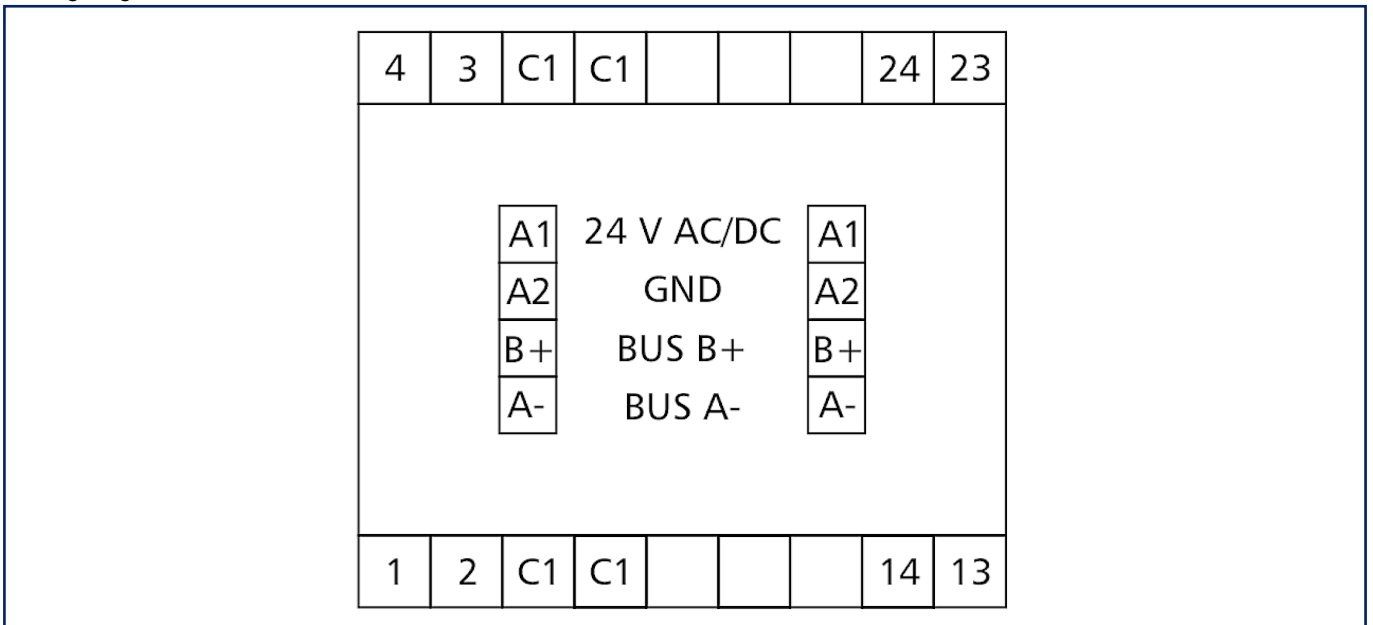
Data sheet  
MR-DIO4/2S Modbus RTU

Illustrations

Dimensional drawing



Wiring diagram



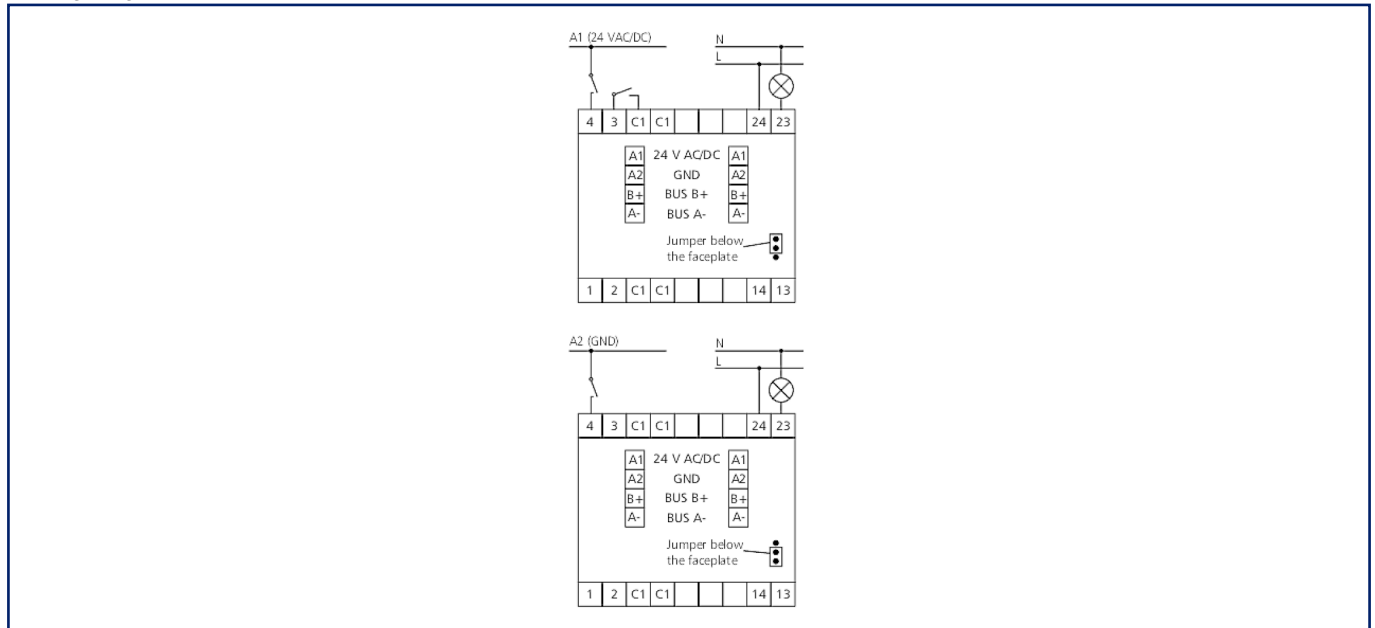
**Data sheet**  
**MR-DIO4/2S Modbus RTU**

Page 9/9

P/N  
110833132601  
EAN 4250184173595  
2025/10/20  
Version: O

**Illustrations**

Wiring diagram



Principle diagram

