

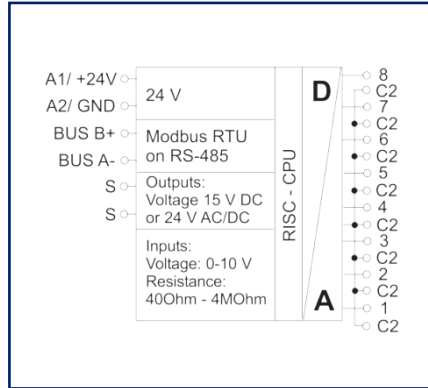
# Data sheet

## MR-F-AI8 Modbus RTU

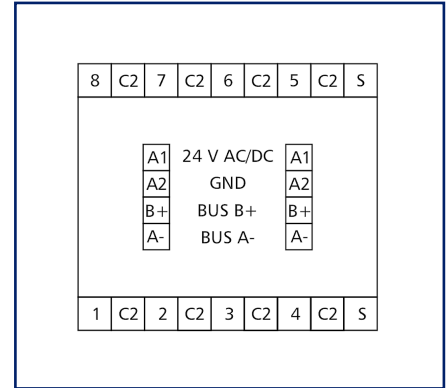
### Illustrations



Principle diagram



Wiring diagram



See enlarged drawings at the end of document

### Product specification

The Modbus module with 8 individually configurable resistance or voltage inputs was developed for decentralized switching tasks. It is suitable for detecting resistances and voltages of, for example, passive and active temperature sensors, electrical vent and mixing valves, valve positions, etc. The inputs can be configured universally by means of standard registers via a Modbus master. Module address, bit rate and parity are set with two rotary switches on the front or by software. Suitable for decentralized mounting on DIN TH35 rail according to IEC 60715 in electrical distribution cabinets.

- Connection with spring clamp terminal blocks (push-in)



**Data sheet**  
**MR-F-AI8 Modbus RTU**

**Technical Data**

**Approvals**



Open Energy Management Equipment 34TZ

**RS485 interface**

Protocol	Modbus RTU
Address range	00 - 99
Bus interface	RS485 two wire bus with potential equalization in bus or line topology terminate with 120 Ohm
Transmission parameters	
Transmission rate	min. 1200 Bit/s (Bd) max. 115200 Bit/s (Bd)
Transmission rate default setting	19200 Bit/s (Bd)
Parity	Odd Even (default setting) None
Stopbits	1 (default setting) 2

**Supply**

Operating voltage	24 V AC/DC +/- 10 % (SELV)
Power consumption	
Power consumption AC (max.)	65 mA
Power consumption DC (max.)	25 mA
Duty cycle relative	100 %

**Inputs**

Analog inputs	8, individually configurable
Resistance range	
Resistance range	40 Ohm - 4 MOhm
Error resistance input < 12 kOhm	0.1 %
Error resistance input >= 12 kOhm	1 %
Voltage range	
Voltage range	0 V - 10 V DC
Resolution voltage input	15 Bit
Error voltage input	10 mV

**Data sheet**  
**MR-F-AI8 Modbus RTU**

Page 3/9

P/N  
**1108321370**  
EAN **4251394620626**  
2025/12/22  
Version: J

**Technical Data**

<b>Housing</b>	
Dimensions	
Dimension (W x H x D)	50 mm x 69.3 mm x 60 mm
Dimension (W x H x D)	1.969 in. x 2.728 in. x 2.362 in.
Weight	104 g
Mounting style	Standard rail TH35
Mounting position	any
Apposition	without distance The maximum quantity of Modbus modules connected side-by-side is limited to 15 or to a maximum power consumption of 2 Amps (AC or DC) per connection to the power supply. For any similar block of additional modules a separate connection to the power supply is necessary.
Connection type	Spring clamp terminal blocks
Indicator	green and red LED
<b>Terminal blocks</b>	
Supply and bus	
Terminal block	4-pole
Solid wire (AWG)	max. 1.5 mm <sup>2</sup> / max. 16 AWG
Stranded wire (AWG)	max. 1 mm <sup>2</sup> / max. 18 AWG
Wire diameter	min. 0.3 mm max. 1.4 mm
Module connection	
Wire cross section solid	0.2 mm <sup>2</sup> - 2.5 mm <sup>2</sup> / AWG 24-14
Wire cross section multi	0.25 mm <sup>2</sup> - 2.5 mm <sup>2</sup> / AWG 24-12
Wire cross section with wire ferrule	0.25 mm <sup>2</sup> - 1.5 mm <sup>2</sup> / AWG 24-16
Stripping length (min.)	8 mm
Protection circuit	Polarity reversal protection for DC operating voltage Protection against interchanging power supply and bus
<b>Material</b>	
Color	gray
Material - Terminal block	Polyamid 6.6 V0
Material - Covers	Polycarbonat

© 2025 METZ CONNECT - Technische Änderungen vorbehalten! Subject to modifications! Sous réserve de modifications techniques!

**MR-F-AI8 Modbus RTU**

P/N

1108321370

EAN 4251394620626

2025/12/22

Version: J

**Technical Data****Protection category according to IEC 60529**

Protection category - housing (acc. to IEC 60529)	IP40
Protection category - terminal blocks (acc. to IEC 60529)	IP20

**Climatic Data**

## Operating

Temperature - Operating °C	-5 °C - 55 °C
Temperature - Operating °F	23 °F - 131 °F
Relative humidity	max. 85 % non-condensing

## Storage

Temperature - Storage °C	-20 °C - 70 °C
Temperature - Storage °F	-4 °F - 158 °F

**Classifications**

ETIM 7.0	EC000794
ETIM 8.0	EC000794
ETIM 9.0	EC000794
ETIM 10.0	EC000794

**Software and additional documents**

Software and documentation	Further documentation is available for free download at <a href="http://www.metz-connect.com">www.metz-connect.com</a>
----------------------------	--

**Application note**

This product is a standard product of METZ CONNECT. METZ CONNECT is not aware of the specific intended use of the goods by the Customer or any customers of the Customer. The Customer guarantees that it has fully and sufficiently tested the use of the goods and any product modifications, product changes or product enhancements with regard to the specific intended use in accordance with the state of the art or in any other way. At METZ CONNECT's request, the Customer shall submit and make available meaningful evidence (e.g. test and laboratory protocols, certifications, etc.).



Data sheet  
**MR-F-AI8 Modbus RTU**

Page 5/9

P/N

1108321370

EAN 4251394620626

2025/12/22

Version: J

## Accessories

P/N	Designation
110369	Terminal block Type 259
11056170	Power supply NG4-F 24 V DC
11080101	USB/RS485 Converter
31135104	Typ 135 RIACON 135_3.5

Data sheet  
**MR-F-AI8 Modbus RTU**

Page 6/9

P/N

1108321370

EAN 4251394620626

2025/12/22

Version: J

**Accessories from**

P/N	Designation
11083001	MR-GW Modbus RTU / Modbus TCP Gateway
1108300170	MR-F-GW Modbus RTU / Modbus TCP Gateway

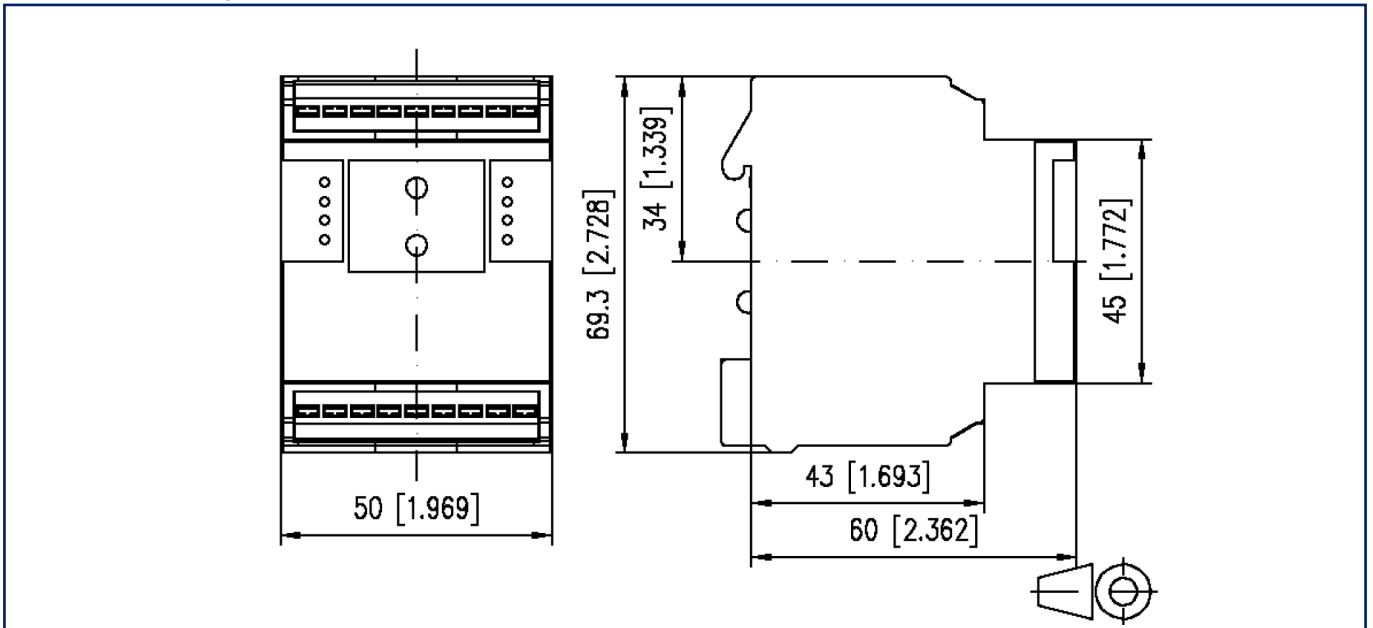
Data sheet  
MR-F-AI8 Modbus RTU

Page 7/9

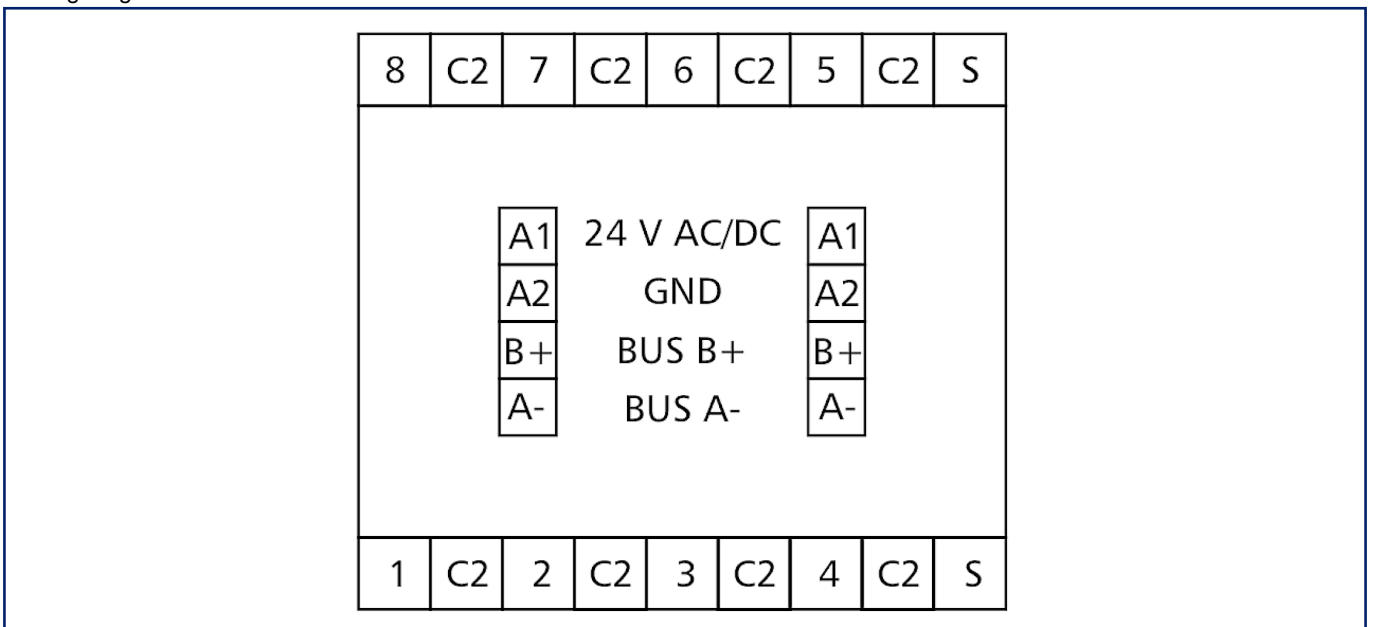
P/N  
1108321370  
EAN 4251394620626  
2025/12/22  
Version: J

Illustrations

Dimensional drawing



Wiring diagram

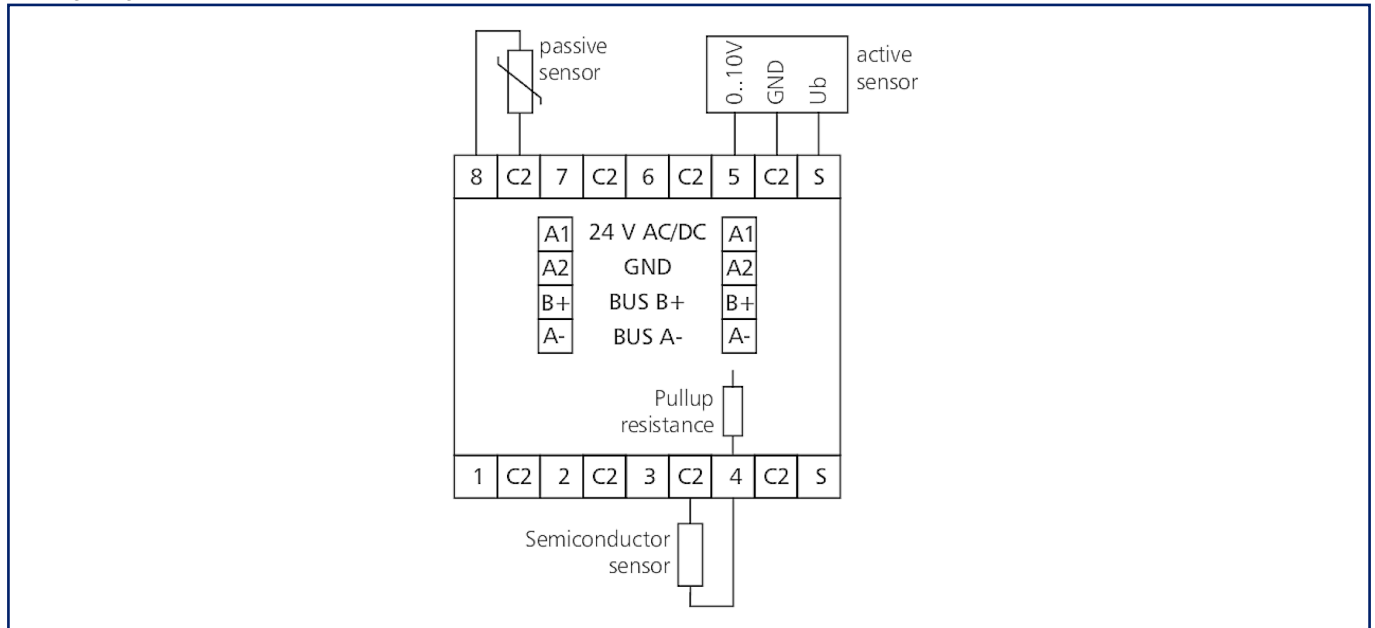


**Data sheet**  
**MR-F-AI8 Modbus RTU**

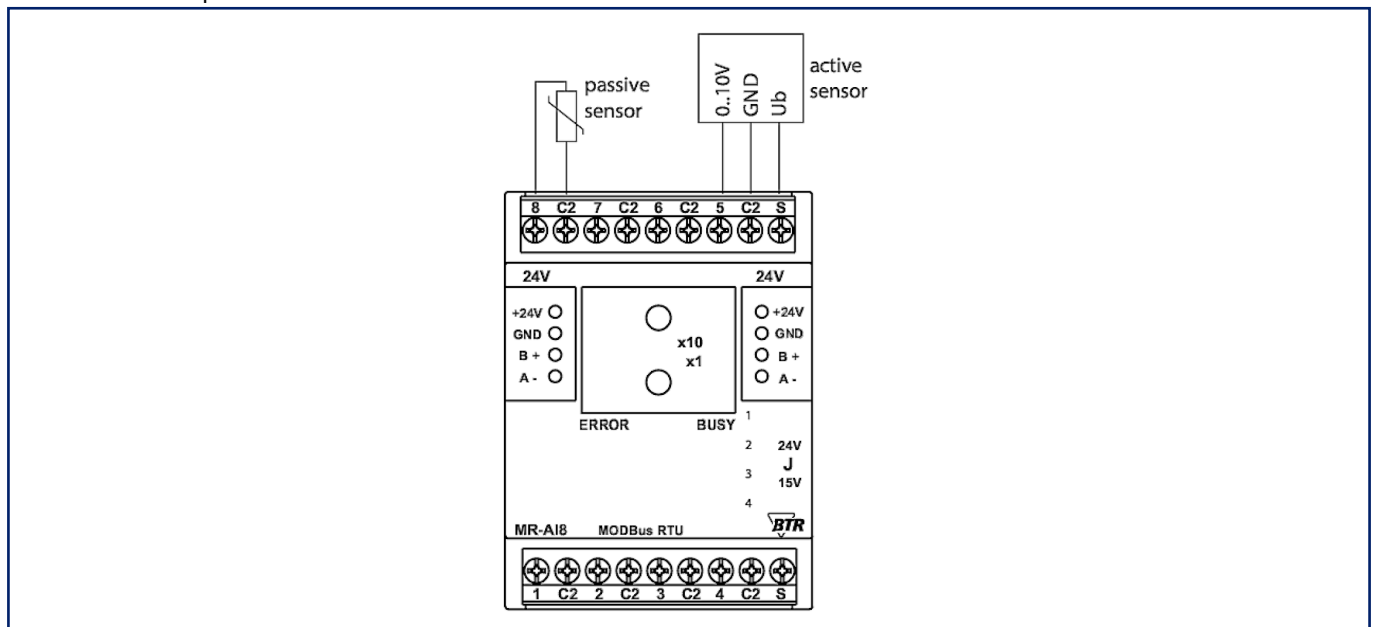
P/N  
1108321370  
EAN 4251394620626  
2025/12/22  
Version: J

**Illustrations**

Wiring diagram



Connection example

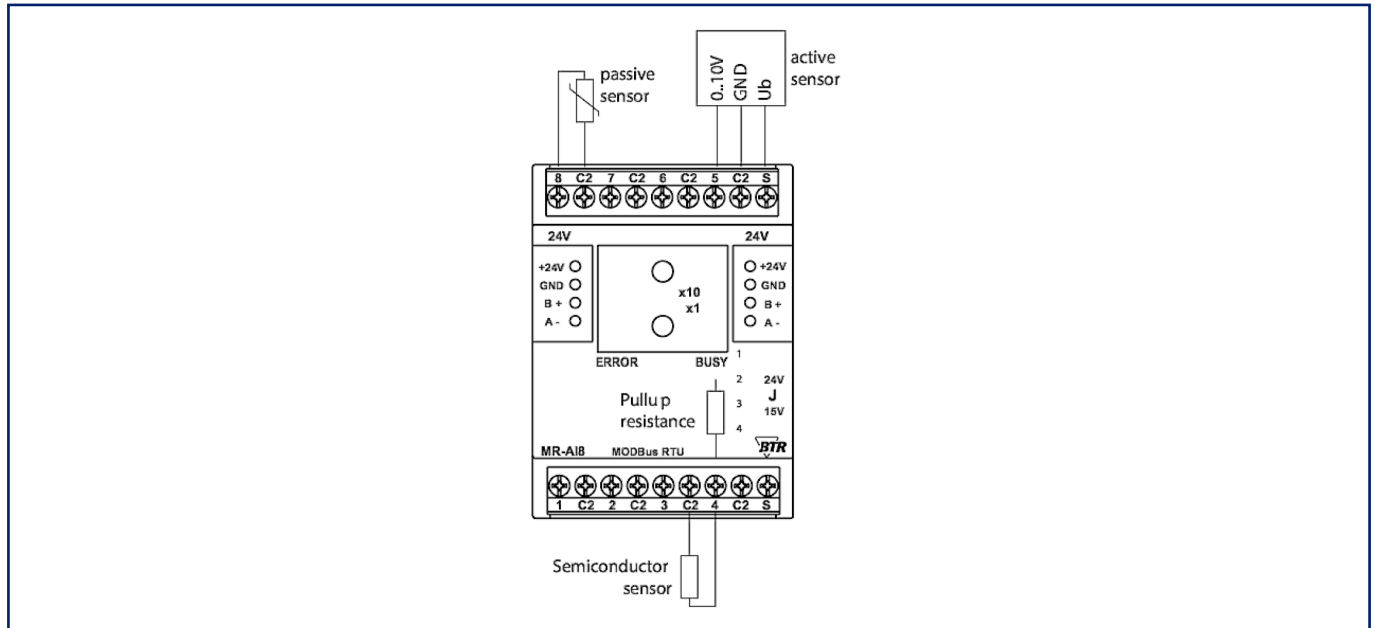


**Data sheet**  
**MR-F-AI8 Modbus RTU**

P/N  
1108321370  
EAN 4251394620626  
2025/12/22  
Version: J

**Illustrations**

Connection example



Principle diagram

