

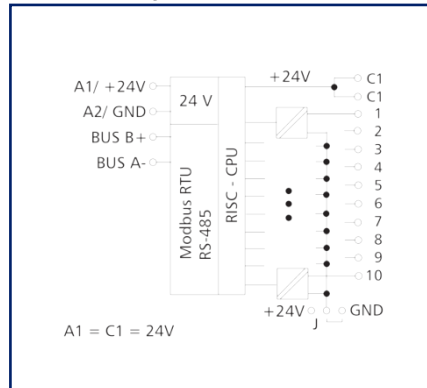
Data sheet

MR-F-DI10 Modbus RTU

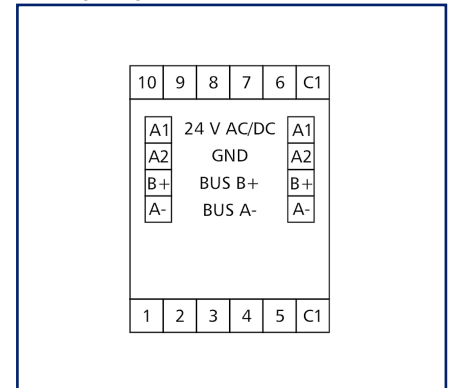
Illustrations



Principle diagram



Wiring diagram



See enlarged drawings at the end of document

Product specification

The Modbus module with 10 digital inputs was developed for decentralized switching tasks. It is suitable for detecting potential-free switch states, for example electrical limit switches on vent valves or auxiliary contacts of power contactors. The inputs can be used as contact or voltage inputs. The inputs can be scanned by means of standard registers via a Modbus master. Module address, bit rate and parity are set with 2 rotary switches on the front or by software. Suitable for decentralized mounting on DIN TH35 rail according to IEC 60715 in electrical distribution cabinets.

- Connection with spring clamp terminal blocks (push-in)

Data sheet
MR-F-DI10 Modbus RTU

Technical Data

Approvals



Open Energy Management Equipment 34TZ

RS485 interface

Protocol	Modbus RTU
Address range	00 - 99
Bus interface	RS485 two wire bus with potential equalization in bus or line topology terminate with 120 Ohm
Transmission parameters	
Transmission rate	min. 1200 Bit/s (Bd) max. 115200 Bit/s (Bd)
Transmission rate default setting	19200 Bit/s (Bd)
Parity	Odd Even (default setting) None
Stopbits	1 (default setting) 2

Supply

Operating voltage	24 V AC/DC +/- 10 % (SELV)
Power consumption	
Power consumption AC (max.)	85 mA
Power consumption DC (max.)	75 mA
Duty cycle relative	100 %

Inputs

Digital inputs	10
Voltage input	30 V AC/DC
High signal detection	> 7 V AC/DC

Housing

Dimensions	
Dimension (W x H x D)	35 mm x 69.3 mm x 60 mm
Dimension (W x H x D)	1.378 in. x 2.728 in. x 2.362 in.
Weight	83 g
Mounting style	Standard rail TH35
Mounting position	any

Technical Data

Housing	
Apposition	without distance The maximum quantity of Modbus modules connected side-by-side is limited to 15 or to a maximum power consumption of 2 Amps (AC or DC) per connection to the power supply. For any similar block of additional modules a separate connection to the power supply is necessary.
Connection type	Spring clamp terminal blocks
Indicator	green, red and yellow LED
Terminal blocks	
Supply and bus	
Terminal block	4-pole
Solid wire (AWG)	max. 1.5 mm ² / max. 16 AWG
Stranded wire (AWG)	max. 1 mm ² / max. 18 AWG
Wire diameter	min. 0.3 mm max. 1.4 mm
Module connection	
Wire cross section solid	0.2 mm ² - 2.5 mm ² / AWG 24-14
Wire cross section multi	0.25 mm ² - 2.5 mm ² / AWG 24-12
Wire cross section with wire ferrule	0.25 mm ² - 1.5 mm ² / AWG 24-16
Stripping length (min.)	8 mm
Protection circuit	Polarity reversal protection for DC operating voltage Protection against interchanging power supply and bus
Material	
Color	gray
Material - Terminal block	Polyamid 6.6 V0
Material - Covers	Polycarbonat
Protection category according to IEC 60529	
Protection category - housing (acc. to IEC 60529)	IP40
Protection category - terminal blocks (acc. to IEC 60529)	IP20

MR-F-DI10 Modbus RTU

P/N

110831131970

EAN 4251394620503

2026/02/02

Version: I

Technical Data**Climatic Data**

Operating

Temperature - Operating °C -5 °C - 55 °C

Temperature - Operating °F 23 °F - 131 °F

Relative humidity max. 85 % non-condensing

Storage

Temperature - Storage °C -20 °C - 70 °C

Temperature - Storage °F -4 °F - 158 °F

Classifications

ETIM 7.0 EC000688

ETIM 8.0 EC000688

ETIM 9.0 EC000688

ETIM 10.0 EC000688

Software and additional documents

Software and documentation

Further documentation is available for free download at www.metz-connect.com**Application note**

This product is a standard product of METZ CONNECT. METZ CONNECT is not aware of the specific intended use of the goods by the Customer or any customers of the Customer. The Customer guarantees that it has fully and sufficiently tested the use of the goods and any product modifications, product changes or product enhancements with regard to the specific intended use in accordance with the state of the art or in any other way. At METZ CONNECT's request, the Customer shall submit and make available meaningful evidence (e.g. test and laboratory protocols, certifications, etc.).



Data sheet

Page 5/10

MR-F-DI10 Modbus RTU

P/N

110831131970

EAN 4251394620503

2026/02/02

Version: I

Accessories

P/N	Designation
110369	Terminal block Type 259
11056170	Power supply NG4-F 24 V DC
11080101	USB/RS485 Converter
31135104	Typ 135 RIACON 135_3.5

Data sheet

Page 6/10

MR-F-DI10 Modbus RTU

P/N

110831131970

EAN 4251394620503

2026/02/02

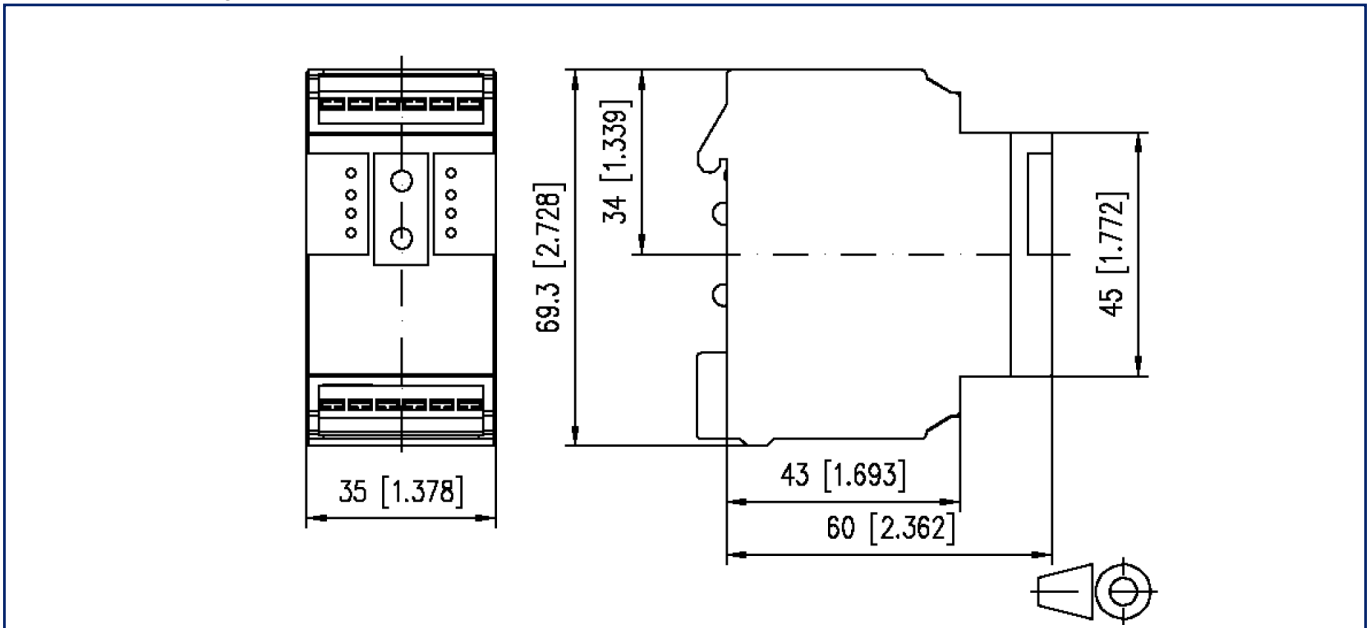
Version: I

Accessories from

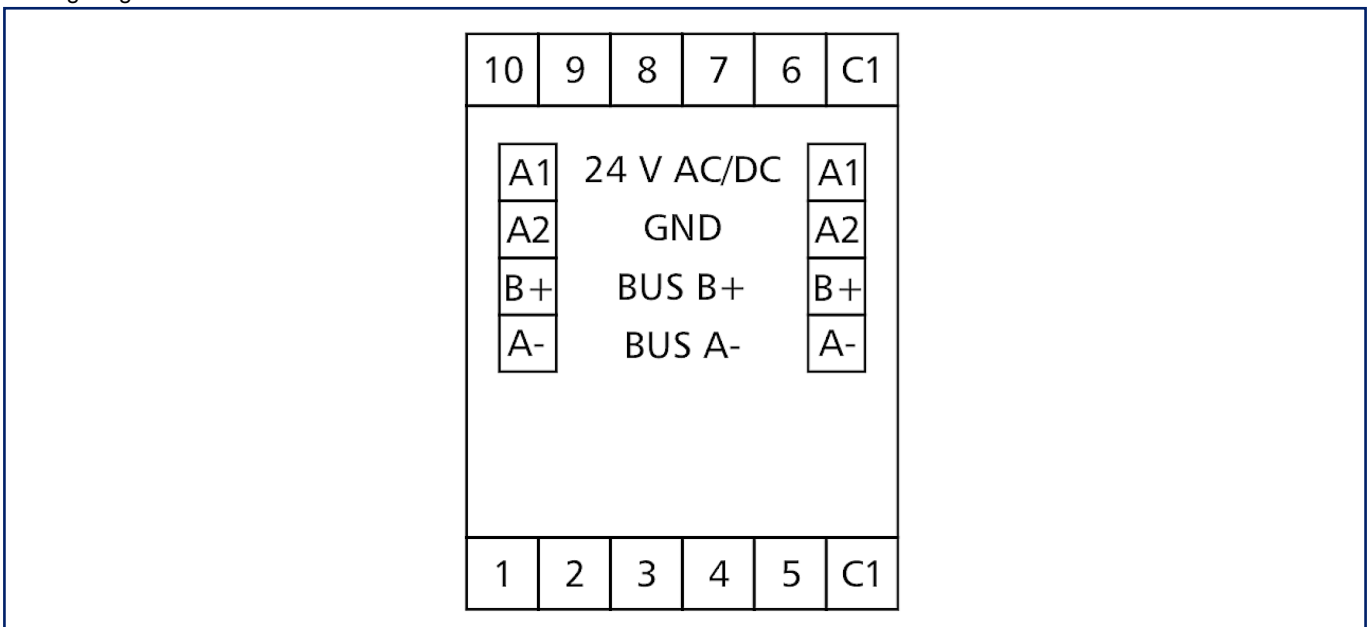
P/N	Designation
11083001	MR-GW Modbus RTU / Modbus TCP Gateway
1108300170	MR-F-GW Modbus RTU / Modbus TCP Gateway

Illustrations

Dimensional drawing



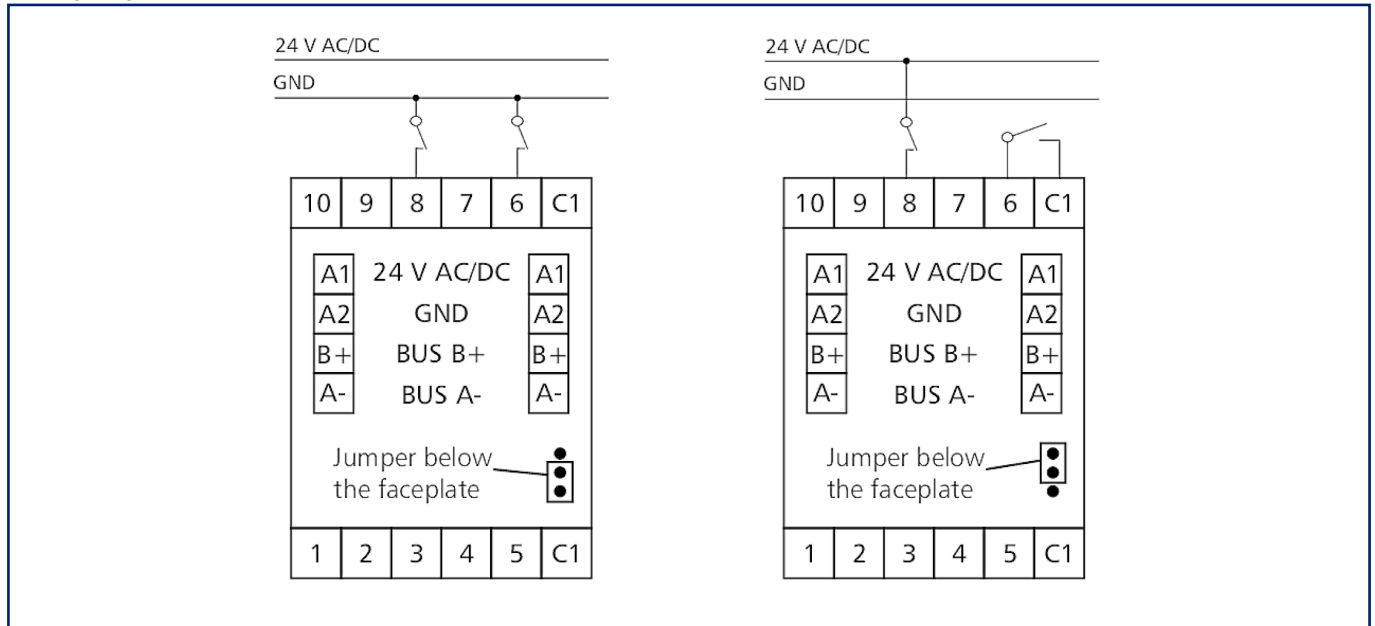
Wiring diagram



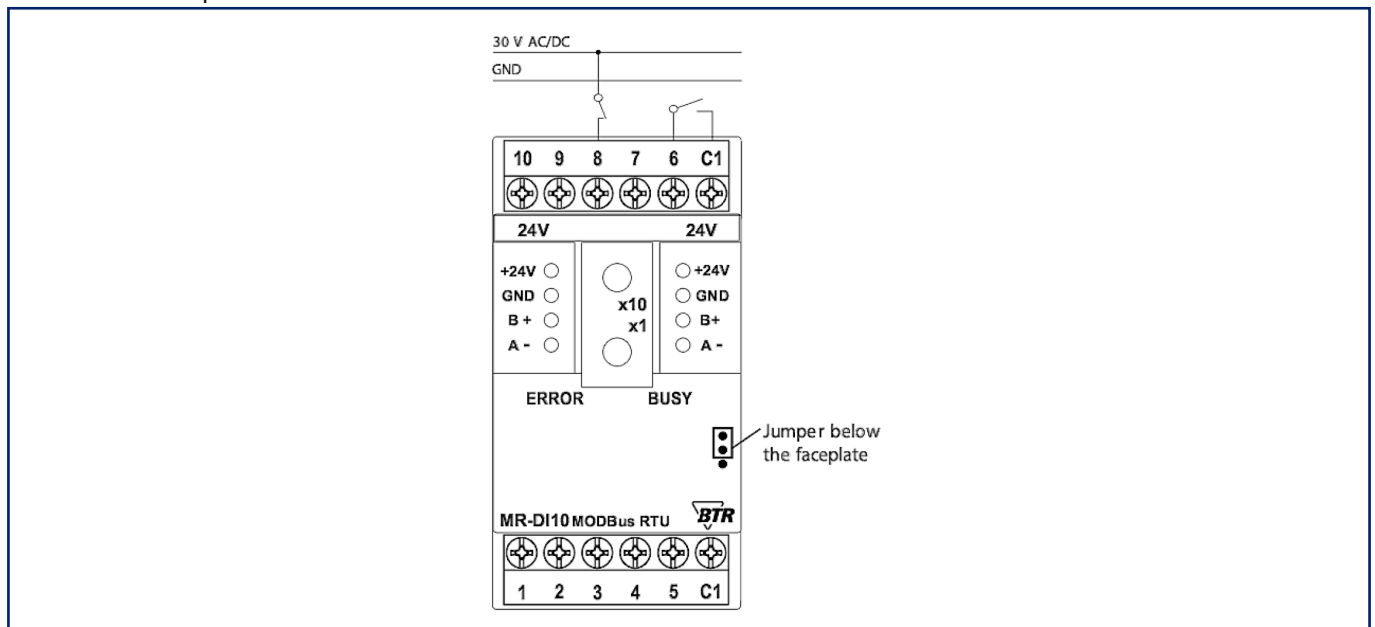
Data sheet
MR-F-DI10 Modbus RTU

Illustrations

Wiring diagram



Connection example

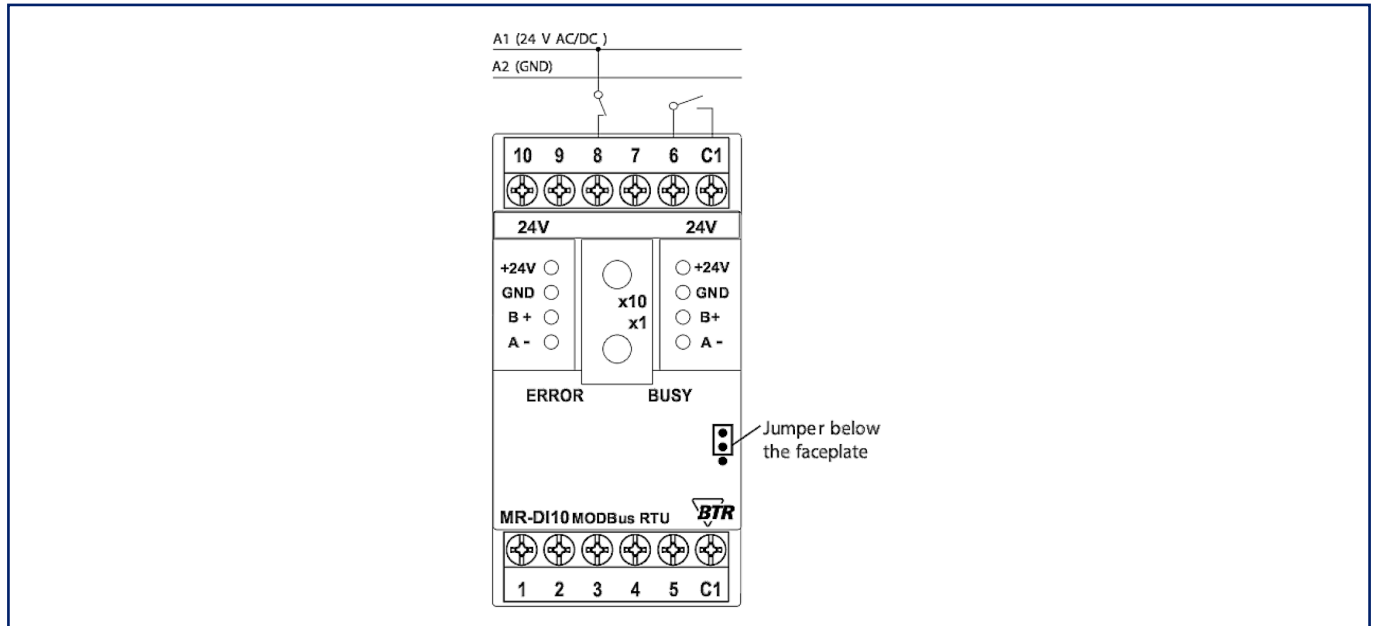


Data sheet
MR-F-DI10 Modbus RTU

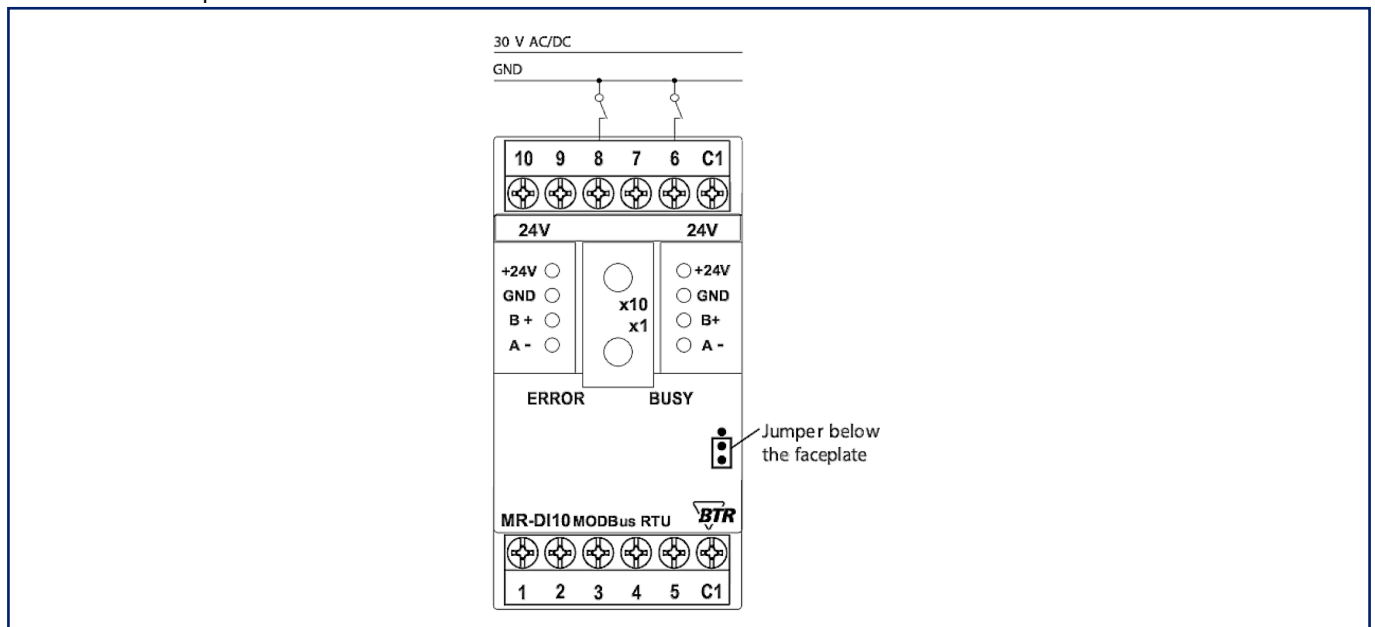
P/N
110831131970
EAN 4251394620503
2026/02/02
Version: I

Illustrations

Connection example

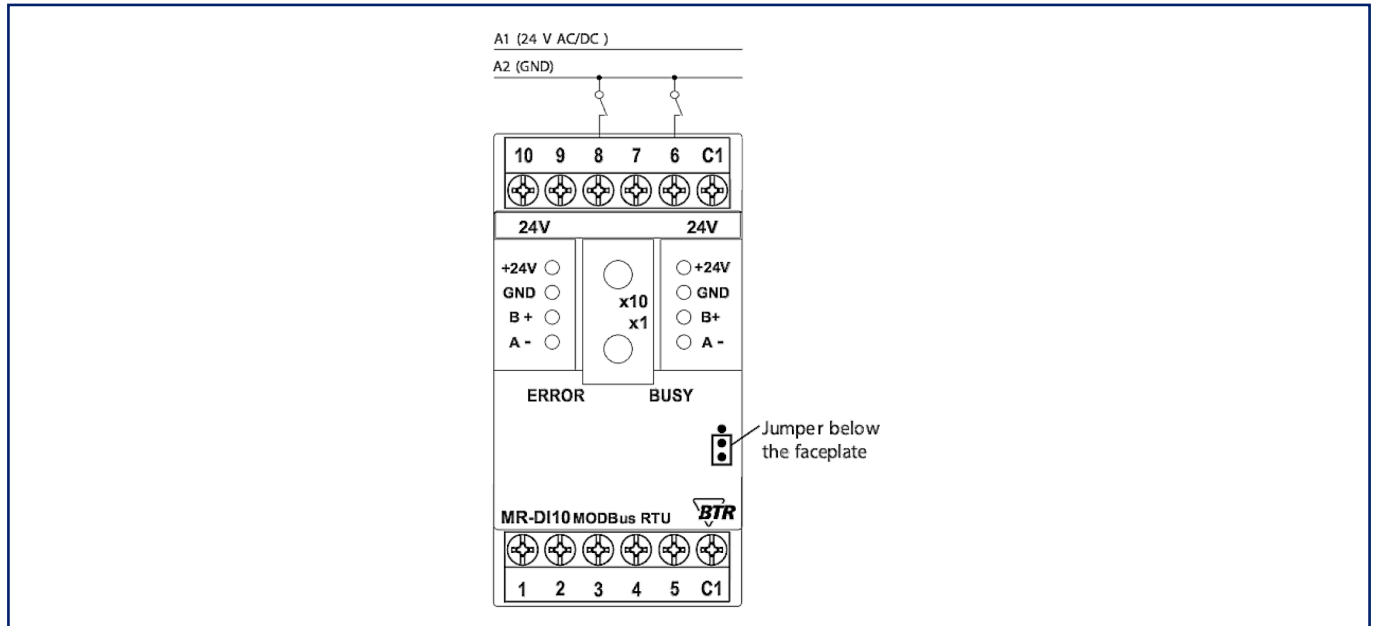


Connection example



Illustrations

Connection example



Principle diagram

