

Data sheet

E-DAT C6_A 6 port for 1RU inlet

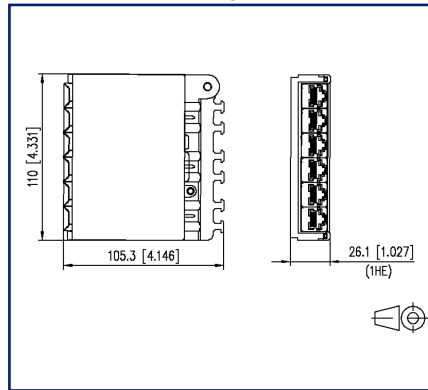
Page 1/9

P/N
860018-11C-E
EAN 4250184118619
2025/09/18
Version: AI

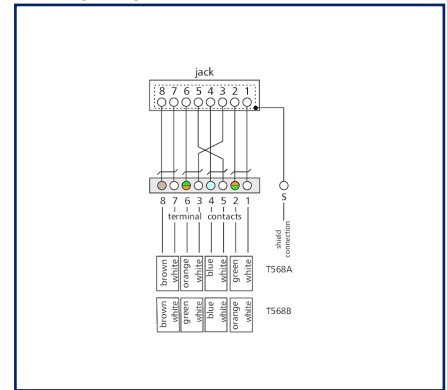
Illustrations



Dimensional drawing



Wiring diagram



See enlarged drawings at the end of document

Product specification

- module for mounting in top hat rail adapter, empty housing for surface mounting or 1RU assembly frame
- Cat.6_A component test according to ISO/IEC 11801, DIN EN 50173-1, ANSI/TIA-568.2-D and IEC 60603-7-51, GHMT certified
- compliance with class E_A up to 500 MHz according to ISO/IEC 11801, DIN EN 50173-1
- tested: components up to 600 MHz, link up to 800 MHz
- suitable for 10 GBit Ethernet (IEEE 802.3an), Remote Powering (PoE, PoE plus, UPoE and 4PPoE) and HDBaseT
- wire pairs can be led to the LSA terminal without untwisting the pair
- connection of 2 to 4-pair data lines to LSA insulation displacement connectors (AWG 26/1-22/1) conductor colors marking to T568A
- optional strain relief using cable ties
- incl. 30 cm grounding cable
- optional strain relief using cable ties
- grounding bolt M6 x 10 with nut and lock washer

Data sheet
E-DAT C6_A 6 port for 1RU inlet

Technical Data

General Data

Fields of application	structured building cabling office areas Distributed building services data center
Mechanical measurement according to MICE	M1
Ingress measurement according to MICE	I1
Climatic measurement according to MICE	C1
Electromagnetic measurement according to MICE	E2
Design	patch panel
Mounting style	for 1RU
Shielding	shielded
Transmission technology	Copper
Wiring	T568A, T568B
Color	gray
Dimensions	
Dimension (L x W x H)	105.3 mm x 110 mm x 26.1 mm
Dimension (L x W x H)	4.146 in. x 4.331 in. x 1.028 in.
Height unit	for 1RU

Transmission characteristics

Category (ISO)	6 _A
Class (ISO/IEC)	E _A
Category (TIA)	6A
Remote Powering	yes
PoE	IEEE 802.3af
PoE plus	IEEE 802.3at
UPoE	yes
4PPoE	IEEE 802.3bt
HDBaseT	yes
Transmission rate up to 100 MBit (Fast Ethernet)	IEEE 802.3bw
Transmission rate up to 1 GBit (Fast Ethernet)	IEEE 902.3ab
Transmission rate up to 10 GBit	IEEE 802.3an

Data sheet
E-DAT C6_A 6 port for 1RU inlet

Technical Data

Connections/interfaces

Connector technology interface 1	LSA terminal block
Connector technology interface 2	RJ45-jack
Number of ports interface 2	6
Number of ports interface 2 equipped	6
Number of positions/contacts interface 1	6 x 8
Number of positions/contacts interface 2	6 x 8P/8C
Termination data, solid wire (min. - max.)	
Conductor cross section, solid wire	AWG 26/1 - AWG 22/1
Conductor cross section, solid wire	0.128 mm ² - 0.324 mm ²
Conductor diameter, solid wire (bare copper)	0.409 mm - 0.643 mm
Conductor diameter, solid wire (bare copper)	0.016 in. - 0.025 in.
Cable access/outlet	180°
Shield connection	flexible contact spring

Electrical characteristics

Current carrying capacity	max. 1 A at 60 °C
Rated voltage	max. 60 V DC
Contact resistance	max. 20 mOhm
Through resistance	max. 200 mOhm
Insulation resistance	min. 500 MOhm
Dielectric strength conductor-conductor (secondary)	max. 1000 V DC
Dielectric strength conductor-conductor, peak value (secondary)	max. 1.000 V AC
Dielectric strength conductor-shield	max. 1500 V DC
Dielectric strength conductor-shield, peak value	max. 1500 V AC

Mechanical data

Insertion and withdrawal force	max. 30 N
Life - Number of mating cycles	min. 750
Position/mounting of latch standard installation position	top
strain relief	cable bracket

Data sheet
E-DAT C6_A 6 port for 1RU inlet

P/N
860018-11C-E
EAN 4250184118619
 2025/09/18
 Version: AI

Technical Data

Materials and material properties

Material - Terminal block housing	PBT (polybutylene terephthalate)
Material - Jack contact	Hyper Ph-Br
Material - Jack contact finish	AuCo
Material - Terminal block contact	CuSn6
Material - Terminal block contact finish	Sn
Material - Jack shield	CuSn6
Material - Cover	GD-Zn
Halogen free	yes
RoHS	compliant

Environmental conditions

Temperature (min. - max.)	
Temperature - Storage °C	-40 °C - 70 °C
Temperature - Storage °F	-40 °F - 158 °F
Temperature - Operating °C	-40 °C - 70 °C
Temperature - Operating °F	-40 °F - 158 °F

Certifications

GHMT Type Approval		Component
--------------------	---	-----------

Standards/Regulations

Generic cabling systems	
General requirements	ISO/IEC 11801-1:2017-11 DIN EN 50173-1:2018-10 ANSI/TIA-568.2-D
Office buildings	ISO/IEC 11801-2:2017-11 DIN EN 50173-2:2018-10 ANSI/TIA-568.2-D
Living units	ISO/IEC 11801-4:2017-11 DIN EN 50173-4:2018-10 ANSI/TIA-570-D
Data centers	ISO/IEC 11801-5:2017-11 DIN EN 50173-5:2018-10 ANSI/TIA-942-B

Data sheet

E-DAT C6_A 6 port for 1RU inlet

Page 5/9

P/N
860018-11C-E
EAN 4250184118619
2025/09/18
Version: AI

Technical Data

Standards/Regulations

Connectors for electronic equipment

Free and fixed connectors	DIN EN 60603-7-51:2011-01, DIN EN 60603-7:2019-11, DIN EN 60603-7-1:2012-01
---------------------------	---

Connectors for electronic equipment - Tests and measurements

Test standard for connectors (engaging and separating connectors under electrical load)	DIN-EN 60512-99-001, DIN-EN 60512-99-002
---	--

Endurance tests	DIN EN 60603-7:2019-11, DIN EN 60603-7-1:2012-01
-----------------	--

Climate tests	DIN EN 60603-7:2019-11, DIN EN 60603-7-1:2012-01
---------------	--

Classifications

ETIM 7.0	EC001128
ETIM 8.0	EC001128
ETIM 9.0	EC001128
ETIM 10.0	EC001128

Packing details

Type of packaging	1 pc(s) / box
-------------------	---------------

Application note

This product is a standard product of METZ CONNECT. METZ CONNECT is not aware of the specific intended use of the goods by the Customer or any customers of the Customer. The Customer guarantees that it has fully and sufficiently tested the use of the goods and any product modifications, product changes or product enhancements with regard to the specific intended use in accordance with the state of the art or in any other way. At METZ CONNECT's request, the Customer shall submit and make available meaningful evidence (e.g. test and laboratory protocols, certifications, etc.).



Data sheet
E-DAT C6_A 6 port for 1RU inlet

Page 6/9

P/N
860018-11C-E
EAN 4250184118619
2025/09/18
Version: AI

Accessories

P/N	Designation
130862-00-E	Module housing 6x8 surface mounted, gray
130862-20-E	Module housing 6x8 surface mounted, pure white



Data sheet
E-DAT C6_A 6 port for 1RU inlet

Page 7/9

P/N
860018-11C-E
EAN 4250184118619
2025/09/18
Version: AI

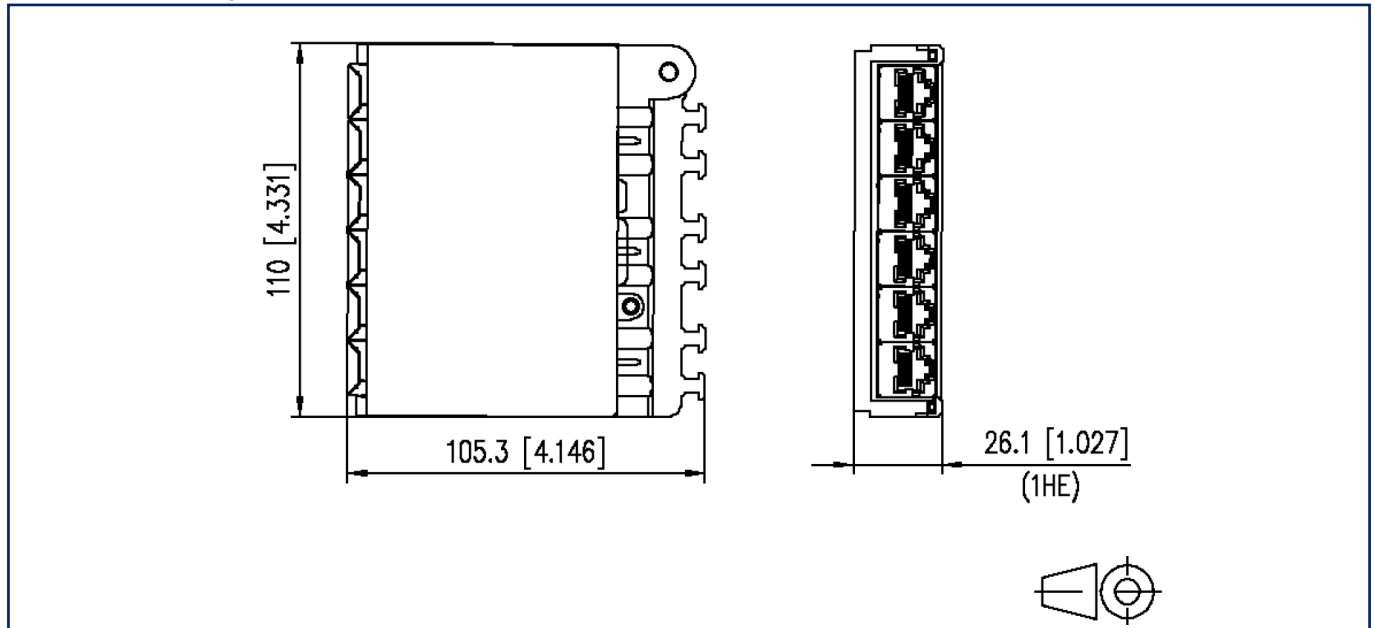
Accessories from

P/N	Designation
1308990110-E	DIN rail adapter
130B10E2-E	Module frame 3RU, 7HP 6 port, aluminum, unequipped
854544-E	Module frame 1RU 19 inches, unequipped
854568-E	Module frame 10 inches 1RU

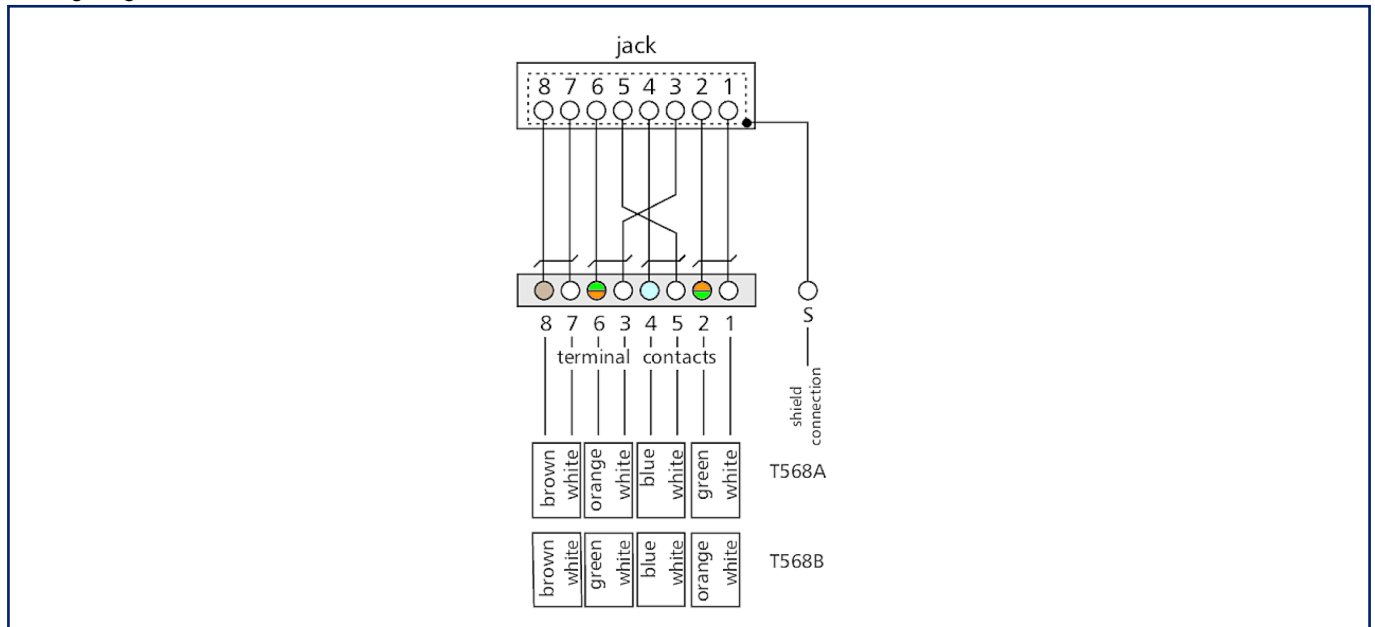
Data sheet
E-DAT C6_A 6 port for 1RU inlet

Illustrations

Dimensional drawing



Wiring diagram



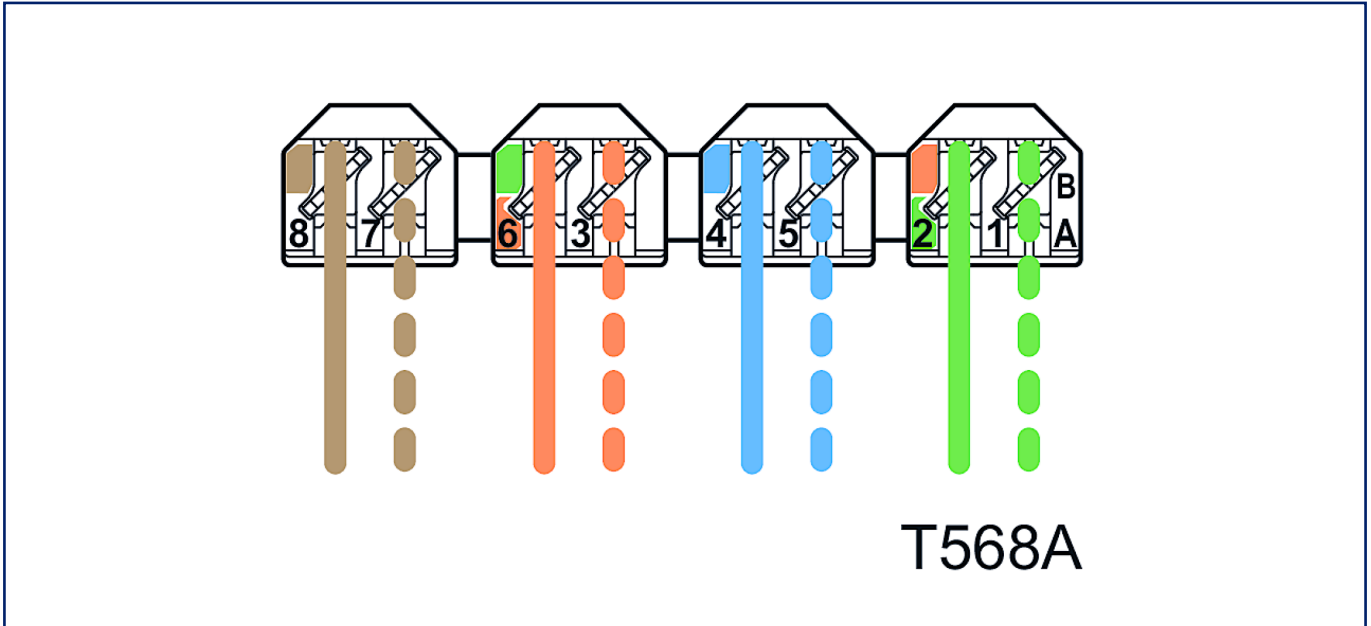
Data sheet
E-DAT C6_A 6 port for 1RU inlet

Page 9/9

P/N
860018-11C-E
EAN 4250184118619
2025/09/18
Version: AI

Illustrations

Wiring diagram



Wiring diagram

