

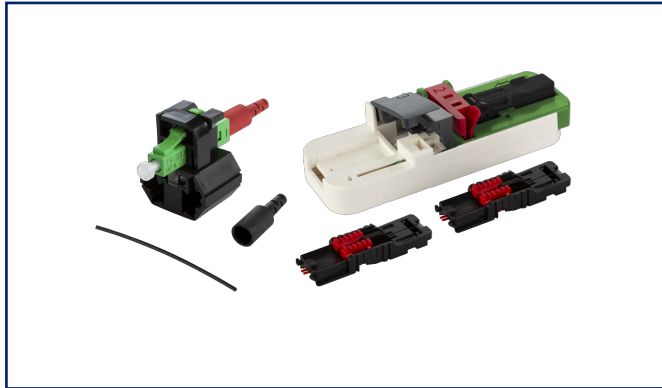
# Data sheet

## OpDAT FAST™ Hybrid connector kit LC APC OS2 100 pieces for buffered fibres incl. tool

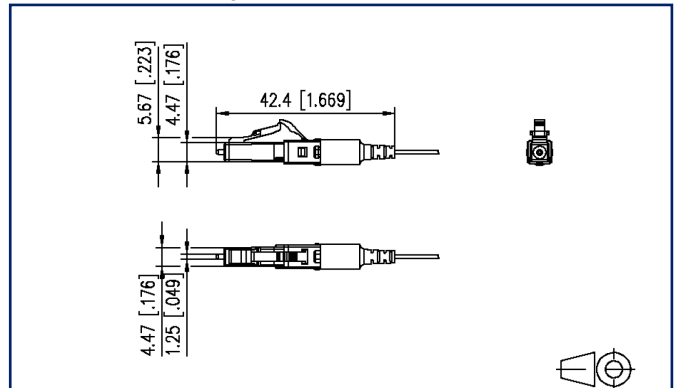
Page 1/5

P/N  
1509QAJA010C-E  
EAN 4251394625324  
2025/07/01  
Version: P

### Illustrations



Dimensional drawing



See enlarged drawings at the end of document

### Product specification

- Field-attachable fiber optic connector for single-mode technology
- with hybrid technology: refractive index gel plus opto-elastomer guarantee very good and constant optical values
- no polishing, no gluing during assembly on site
- simple, easy to learn, fast and cost-effective installation in less than two minutes
- Available with connector types LC and SC for singlemode (UPC and APC)
- plug kits for FO fibers with  $\varnothing$  0.25 and  $\varnothing$  0.9 mm
- plug kits for fibre optic cables with  $\varnothing$  2.0 and  $\varnothing$  3.0 mm
- the plug can be assembled up to three times
- every plug has a serial number, so that traceability is possible at any time
- Included in the scope of delivery depending on the variant:
  - a maintenance-free separator (Cleaver). It provides an oblique cut so that high return loss values are achieved. The Cleaver can be used up to 200 times.
  - a cable assembly kit for easy cable assembly
  - a fiber guide for easy insertion of the fiber into the connector
- fields of application:
  - for FTTH and FiTH connections, repairs in the field, in areas which are difficult to access or limited in space and for direct mounting on components
- Versions for fibers: 10 pieces without tools / 20 or 100 pieces with Cleaver and fibre guide
- Variants for cables: 10 pieces without tools / 20 or 100 pieces with Cleaver, cable assembly set and fibre guide



# OpDAT FAST™ Hybrid connector kit LC APC OS2 100 pieces for buffered fibres incl. tool

P/N  
1509QAJA010C-E  
EAN 4251394625324  
2025/07/01  
Version: P

## Technical Data

### General Data

Fields of application	structured building cabling Consolidation points office areas fiber to the desk Distributed building services data center
Mechanical measurement according to MICE	M1
Ingress measurement according to MICE	I1
Climatic measurement according to MICE	C1
Electromagnetic measurement according to MICE	E3
Design	plug, field assembly
Transmission technology	Fiber optic
Color	green
Dimensions	
Dimension (L x W x H)	42 mm x 4.47 mm x 4.47 mm
Dimension (L x W x H)	1.654 in. x 0.176 in. x 0.176 in.
Mode type of the fiber	Singlemode
Shape	APC (Angled Physical Contact)

### Connections/interfaces

Single fibre diameter (min. - max.)	
Single fibre diameter	0.9 mm
Cable access/outlet	180°
Connector interfaces	LC

### Electrical characteristics

Insertion loss	0,2 bis 0,5 dB
Return loss	min. 60 dB

### Mechanical data

Connector type	simplex
Mounting method	snap-in function
Life - Number of mating cycles	min. 500

**OpDAT FAST™ Hybrid connector kit LC APC OS2  
100 pieces for buffered fibres incl. tool**

P/N  
1509QAJA010C-E  
EAN 4251394625324  
2025/07/01  
Version: P

**Technical Data**

**Materials and material properties**

Material - Housing	Plastics
Material - Cable boot	elastomer, flame-retardant and halogen free
Material - Ferrule	Ceramic
Material - Dust protection	elastomer, flame-retardant and halogen free
Halogen free	yes

**Environmental conditions**

Temperature (min. - max.)	
Temperature - Storage °C	-25 °C - 70 °C
Temperature - Storage °F	-13 °F - 158 °F
Temperature - Operating °C	-25 °C - 70 °C
Temperature - Operating °F	-13 °F - 158 °F

**Standards/Regulations**

FO connector interfaces	IEC 61754-20 / ANSI/TIA-604-10-A
Fibre optic connector interfaces	LC - IEC 61754-20

**Classifications**

ETIM 7.0	EC001122
ETIM 8.0	EC001122
ETIM 9.0	EC001122
ETIM 10.0	EC001122

**Packing details**

Type of packaging	100 pc(s) / box
-------------------	-----------------

**Application note**

This product is a standard product of METZ CONNECT. METZ CONNECT is not aware of the specific intended use of the goods by the Customer or any customers of the Customer. The Customer guarantees that it has fully and sufficiently tested the use of the goods and any product modifications, product changes or product enhancements with regard to the specific intended use in accordance with the state of the art or in any other way. At METZ CONNECT's request, the Customer shall submit and make available meaningful evidence (e.g. test and laboratory protocols, certifications, etc.).

Data sheet

Page 4/5

# OpDAT FAST™ Hybrid connector kit LC APC OS2 100 pieces for buffered fibres incl. tool

P/N

1509QAJA010C-E

EAN 4251394625324

2025/07/01

Version: P

## Accessories

P/N	Designation
150800200-E	Fibre optic tool Bag



Data sheet

Page 5/5

**OpDAT FAST™ Hybrid connector kit LC APC OS2**  
**100 pieces for buffered fibres incl. tool**

P/N  
1509QAJA010C-E  
EAN 4251394625324  
2025/07/01  
Version: P

**Illustrations**

Dimensional drawing

