

# Data sheet

## Module frame 3RU, 7HP 6 port, aluminum, unequipped

Page 1/6

P/N  
130B10E2-E

EAN 4251394628332

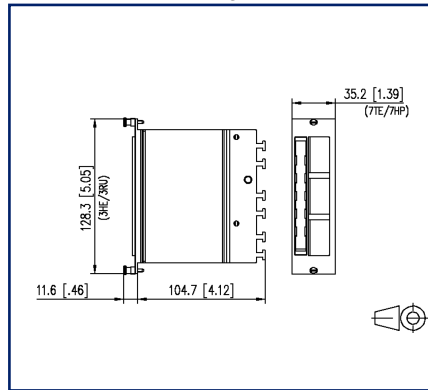
2025/10/21

Version: G

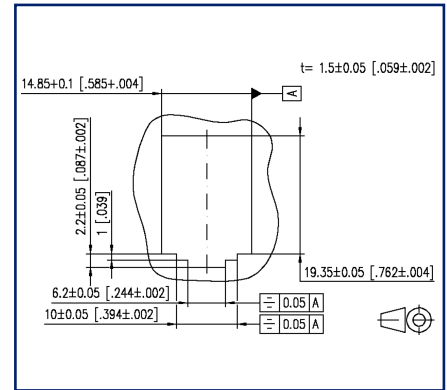
### Illustrations



Dimensional drawing



Cut-out



See enlarged drawings at the end of document

### Product specification

- module frame for 6 individual modules
- 3RU module frame front made of silver anodized aluminum for mounting in 3RU assembly frame
- with label window for enclosed identification labels
- optional strain relief using cable ties
- grounding bolt M6 x 10 with nut and lock washer



# Module frame 3RU, 7HP 6 port, aluminum, unequipped

P/N  
130B10E2-E

EAN 4251394628332

2025/10/21

Version: G

## Technical Data

### General Data

Fields of application	office areas
Mechanical measurement according to MICE	M1
Ingress measurement according to MICE	I1
Climatic measurement according to MICE	C1
Electromagnetic measurement according to MICE	E3
Design	patch panel
Color	anodized alu.
Dimensions	
Dimension (L x W x H)	104.7 mm x 128.3 mm x 35.2 mm
Dimension (L x W x H)	4.122 in. x 5.051 in. x 1.386 in.
Height unit	3RU
Horizontal pitch	7HP
Modularity	yes

### Connections/interfaces

Number of ports interface 1	6
Number of equipped ports interface 1	0
Number of ports interface 2	6
Number of ports interface 2 equipped	0
Ground connection	flat plug

### Mechanical data

Cut-out	MC module
strain relief	attached to module

### Materials and material properties

Material - Housing	Al (Aluminium)
Material - Subrack finish	silver anodized
Material - Cover	Al (Aluminium)
Material - Module support	stainless steel
Material - Label window	ABS, transparent
Halogen free	yes
RoHS	compliant

Data sheet

Page 3/6

**Module frame 3RU, 7HP 6 port, aluminum, unequipped**P/N  
130B10E2-E

EAN 4251394628332

2025/10/21

Version: G

**Technical Data****Environmental conditions**

Temperature (min. - max.)

Temperature - Storage °C -40 °C - 70 °C

Temperature - Storage °F -40 °F - 158 °F

Temperature - Operating °C -40 °C - 70 °C

Temperature - Operating °F -40 °F - 158 °F

**Classifications**

ETIM 7.0 EC001128

ETIM 8.0 EC001128

ETIM 9.0 EC001128

ETIM 10.0 EC001128

**Packing details**

Type of packaging 1 pc(s) / plastic bag

**Application note**

This product is a standard product of METZ CONNECT. METZ CONNECT is not aware of the specific intended use of the goods by the Customer or any customers of the Customer. The Customer guarantees that it has fully and sufficiently tested the use of the goods and any product modifications, product changes or product enhancements with regard to the specific intended use in accordance with the state of the art or in any other way. At METZ CONNECT's request, the Customer shall submit and make available meaningful evidence (e.g. test and laboratory protocols, certifications, etc.).



Data sheet

Page 4/6

**Module frame 3RU, 7HP 6 port, aluminum, unequipped**

P/N

130B10E2-E

EAN 4251394628332

2025/10/21

Version: G

**Accessories**

P/N	Designation
130864-03-E	COAX distributor 1RU
130922-00-E	6 port module frame 1RU
130922-03-E	E-DAT modul 6x8(8) for 1RU patch panel Cat.6 <sub>A</sub>
860018-10-E	E-DAT 6x8 Modul Class E/Cat.6 Link
860018-11C-E	E-DAT C6 <sub>A</sub> 6 port for 1RU inlet
860018-11-E	E-DAT C6 6x8 1RU Modul Cat.6
899789-01	Label sheet for E-DAT C6 and E-DAT design patch panels



Data sheet

Page 5/6

**Module frame 3RU, 7HP 6 port, aluminum, unequipped**

P/N

**130B10E2-E****EAN 4251394628332**

2025/10/21

Version: G

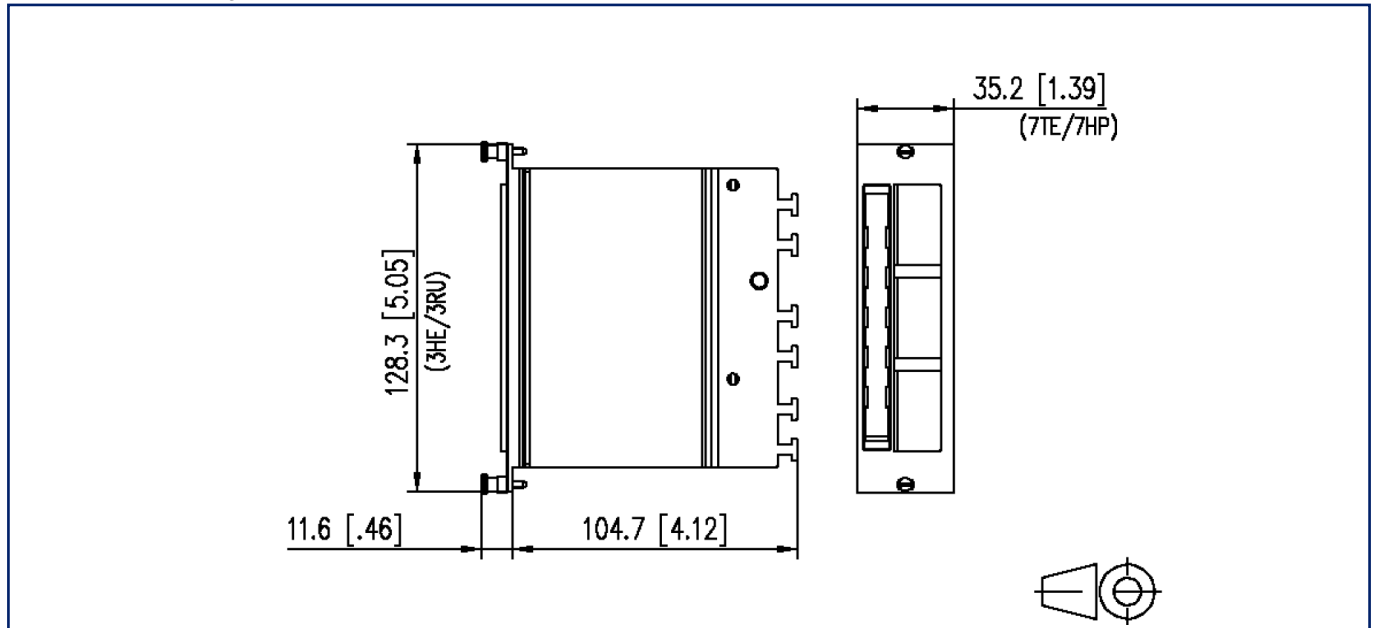
**Accessories from**

P/N	Designation
130808-01-E	Module frame 3RU 10-inch
1528SBGT19-E	OpDAT CM 19 inches/3RU subrack



**Illustrations**

Dimensional drawing



Cut-out

