

# Data sheet

## E-DAT C6 6 port 3RU 7HP LSA modular

Page 1/9

P/N  
130857-E

EAN 4250184116646

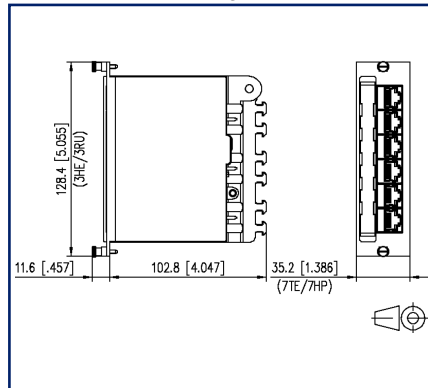
2025/09/18

Version: AE

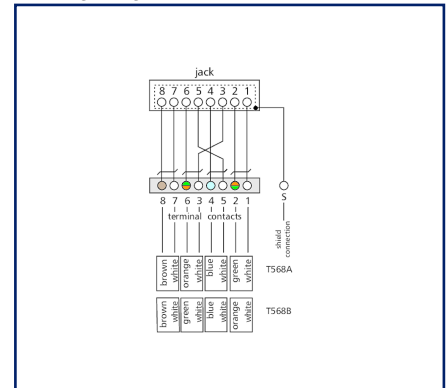
### Illustrations



Dimensional drawing



Wiring diagram



See enlarged drawings at the end of document

### Product specification

- 3RU/7HP 6-fold module housing made of zinc die-casting, mounting in 3RU module frame
- certified to GHMT Cat.6 12C-de-embedded
- compliance with class E<sub>A</sub> Channel-Link acc. to ISO/IEC 11801-1, DIN EN 50173-1
- tested: Channel-Link up to 500 MHz
- suitable for 10 GBit Ethernet (IEEE 802.3an), Remote Powering (PoE, PoE plus, UPoE and 4PPoE) and HDBaseT
- wire pairs can be led to the LSA terminal without untwisting the pair
- connection of 2 to 4-pair data lines to LSA insulation displacement connectors (AWG 22-24) conductor colors marking to TIA/EIA 568A
- 3RU module frame for mounting in surface-mounted housing, top hat rail adapter or 3RU module frame
- strain relief with captive cable clamp, Ø smaller then 8 mm (for cable Ø bigger then 7 mm see accessory)
- optional strain relief using cable ties
- label window for enclosed identification labels
- captive contact clamp for cable shield
- grounding bolt M6x10 with nut and lock washer
- suitable for xx GBit Ethernet (IEEE 802.3an), Remote Powering (PoE, PoE plus, UPoE and 4PPoE) and HDBaseT



# E-DAT C6 6 port 3RU 7HP LSA modular

P/N

130857-E

EAN 4250184116646

2025/09/18

Version: AE

## Technical Data

### General Data

Fields of application	structured building cabling office areas Distributed building services data center
Mechanical measurement according to MICE	M1
Ingress measurement according to MICE	I1
Climatic measurement according to MICE	C1
Electromagnetic measurement according to MICE	E2
Design	patch panel
Mounting style	3RU/7HP
Shielding	shielded
Transmission technology	Copper
Wiring	T568A, T568B
Color	anodized alu.
Dimensions	
Dimension (L x W x H)	114.4 mm x 128.4 mm x 35.2 mm
Dimension (L x W x H)	4.504 in. x 5.055 in. x 1.386 in.
Height unit	3RU
Horizontal pitch	7HP
Labeling option	label window with identification label

### Transmission characteristics

Category (ISO)	6
Class (ISO/IEC)	E <sub>A</sub>
Category (TIA)	6
Remote Powering	yes
PoE	IEEE 802.3af
PoE plus	IEEE 802.3at
UPoE	yes
4PPoE	IEEE 802.3bt
HDBaseT	yes
Transmission rate up to 100 MBit (Fast Ethernet)	IEEE 802.3bw
Transmission rate up to 1 GBit (Fast Ethernet)	IEEE 902.3ab
Transmission rate up to 10 GBit	IEEE 802.3an

# E-DAT C6 6 port 3RU 7HP LSA modular

P/N

130857-E

EAN 4250184116646

2025/09/18

Version: AE

## Technical Data

### Connections/interfaces

Connector technology interface 1	LSA terminal block
Connector technology interface 2	RJ45-jack
Number of ports interface 2	6
Number of ports interface 2 equipped	6
Number of positions/contacts interface 1	6 x 8
Number of positions/contacts interface 2	6 x 8P/8C
Termination data, solid wire (min. - max.)	
Conductor cross section, solid wire	AWG 26/1 - AWG 22/1
Conductor cross section, solid wire	0.128 mm <sup>2</sup> - 0.324 mm <sup>2</sup>
Conductor diameter, solid wire (bare copper)	0.409 mm - 0.643 mm
Conductor diameter, solid wire (bare copper)	0.016 in. - 0.025 in.
Ground connection	grounding bolt M6x10 with nut and lock washer
Shield connection	flexible contact spring

### Electrical characteristics

Current carrying capacity	max. 1 A at 60 °C
Rated voltage	max. 60 V DC
Contact resistance	max. 20 mOhm
Through resistance	max. 200 mOhm
Insulation resistance	min. 500 MOhm
Dielectric strength conductor-conductor (secondary)	max. 1000 V DC
Dielectric strength conductor-conductor, peak value (secondary)	max. 1.000 V AC
Dielectric strength conductor-shield	max. 1500 V DC
Dielectric strength conductor-shield, peak value	max. 1500 V AC

### Mechanical data

Insertion and withdrawal force	max. 30 N
Life - Number of mating cycles	min. 750
Position/mounting of latch standard installation position	left
strain relief	cable bracket



## Technical Data

### Materials and material properties

Material - Terminal block housing	PBT (polybutylene terephthalate)
Material - Jack contact	Hyper Ph-Br
Material - Jack contact finish	AuCo
Material - Terminal block contact	CuSn6
Material - Terminal block contact finish	Sn
Material - Jack shield	CuSn6
Material - Cover	GD-Zn
Material - Module support	Al (Aluminium)
Material - Module support finish	silver anodized
Halogen free	yes
RoHS	compliant

### Environmental conditions

Temperature (min. - max.)	
Temperature - Storage °C	-40 °C - 70 °C
Temperature - Storage °F	-40 °F - 158 °F
Temperature - Operating °C	-40 °C - 70 °C
Temperature - Operating °F	-40 °F - 158 °F

### Certifications

GHMT Type Approval		Component
--------------------	---	-----------

### Standards/Regulations

Generic cabling systems	
General requirements	ISO/IEC 11801-1:2017-11   DIN EN 50173-1:2018-10 ANSI/TIA-568.2-D
Office buildings	ISO/IEC 11801-2:2017-11   DIN EN 50173-2:2018-10 ANSI/TIA-568.2-D
Living units	ISO/IEC 11801-4:2017-11   DIN EN 50173-4:2018-10 ANSI/TIA-570-D
Data centers	ISO/IEC 11801-5:2017-11   DIN EN 50173-5:2018-10 ANSI/TIA-942-B

**E-DAT C6 6 port 3RU 7HP LSA modular**

P/N

130857-E

EAN 4250184116646

2025/09/18

Version: AE

**Technical Data****Standards/Regulations**

Connectors for electronic equipment

Free and fixed connectors	DIN EN 60603-7-51:2011-01, DIN EN 60603-7:2019-11, DIN EN 60603-7-1:2012-01
---------------------------	---

Connectors for electronic equipment - Tests and measurements

Test standard for connectors (engaging and separating connectors under electrical load)	DIN-EN 60512-99-001, DIN-EN 60512-99-002
---	--

Endurance tests	DIN EN 60603-7:2019-11, DIN EN 60603-7-1:2012-01
-----------------	--

Climate tests	DIN EN 60603-7:2019-11, DIN EN 60603-7-1:2012-01
---------------	--

**Classifications**

ETIM 7.0	EC001128
----------	----------

ETIM 8.0	EC001128
----------	----------

ETIM 9.0	EC001128
----------	----------

ETIM 10.0	EC001128
-----------	----------

**Packing details**

Type of packaging	1 pc(s) / box
-------------------	---------------

**Application note**

This product is a standard product of METZ CONNECT. METZ CONNECT is not aware of the specific intended use of the goods by the Customer or any customers of the Customer. The Customer guarantees that it has fully and sufficiently tested the use of the goods and any product modifications, product changes or product enhancements with regard to the specific intended use in accordance with the state of the art or in any other way. At METZ CONNECT's request, the Customer shall submit and make available meaningful evidence (e.g. test and laboratory protocols, certifications, etc.).



Data sheet

Page 6/9

## E-DAT C6 6 port 3RU 7HP LSA modular

P/N

130857-E

EAN 4250184116646

2025/09/18

Version: AE

### Accessories

P/N	Designation
899789-01	Label sheet for E-DAT C6 and E-DAT design patch panels



Data sheet

Page 7/9

**E-DAT C6 6 port 3RU 7HP LSA modular**

P/N

**130857-E****EAN 4250184116646**

2025/09/18

Version: AE

**Accessories from**

P/N	Designation
130808-01-E	Module frame 3RU 10-inch

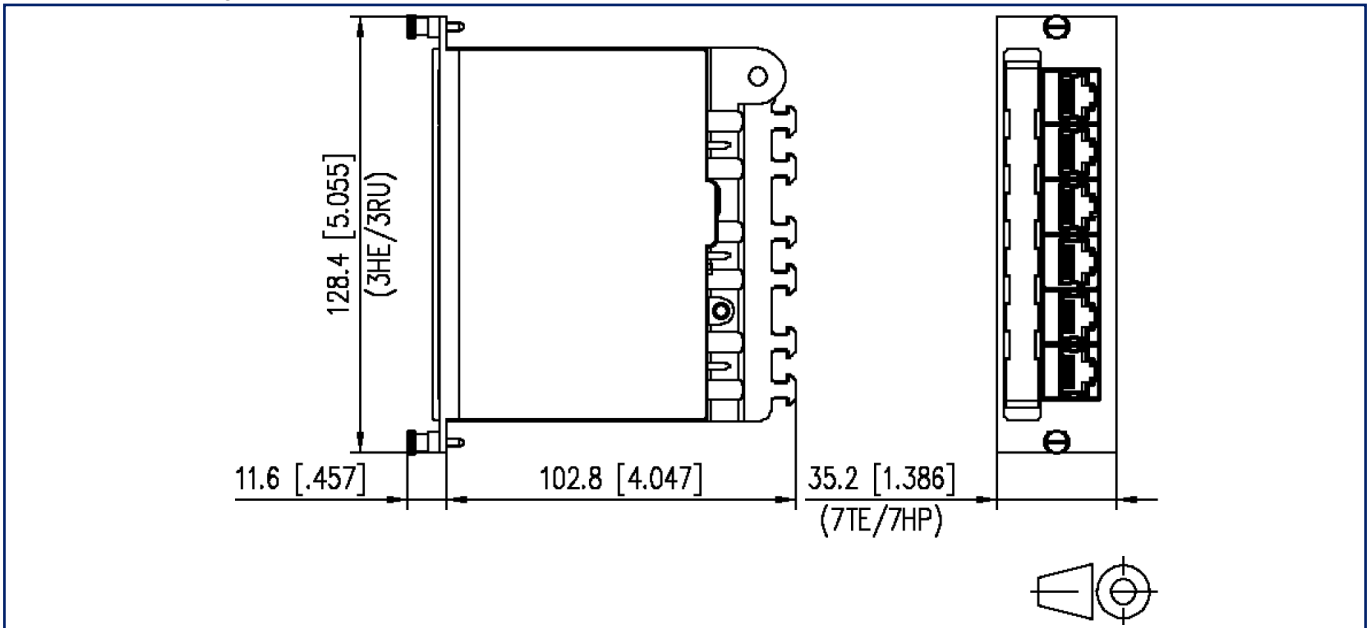


**Data sheet**  
**E-DAT C6 6 port 3RU 7HP LSA modular**

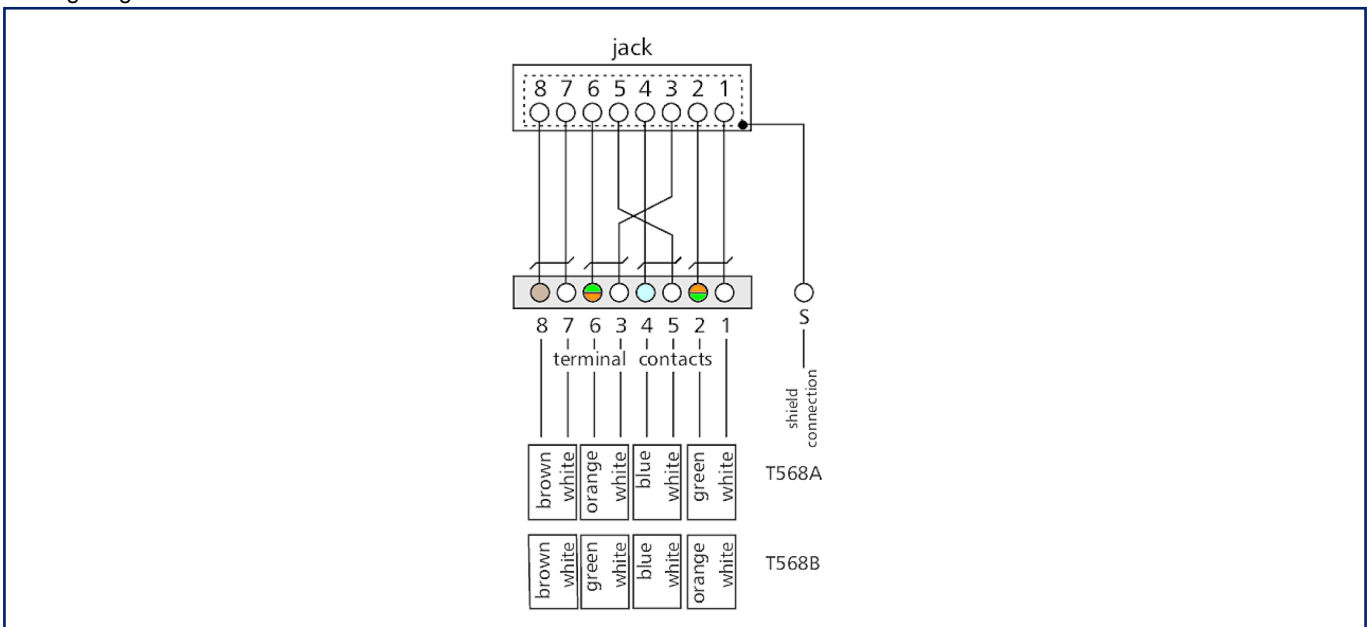
P/N  
**130857-E**  
 EAN 4250184116646  
 2025/09/18  
 Version: AE

**Illustrations**

Dimensional drawing



Wiring diagram



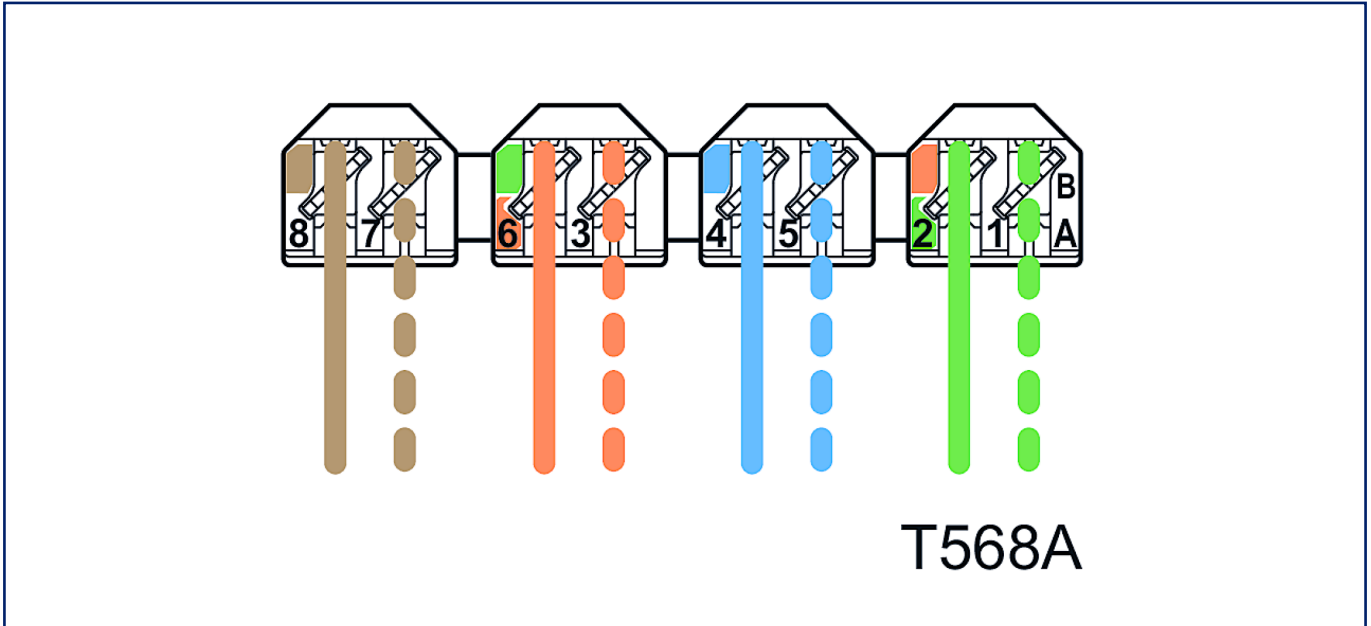
Data sheet  
E-DAT C6 6 port 3RU 7HP LSA modular

Page 9/9

P/N  
130857-E  
EAN 4250184116646  
2025/09/18  
Version: AE

**Illustrations**

Wiring diagram



Wiring diagram

