

Data sheet

OpDAT CM 6xLC-D OM4 splice

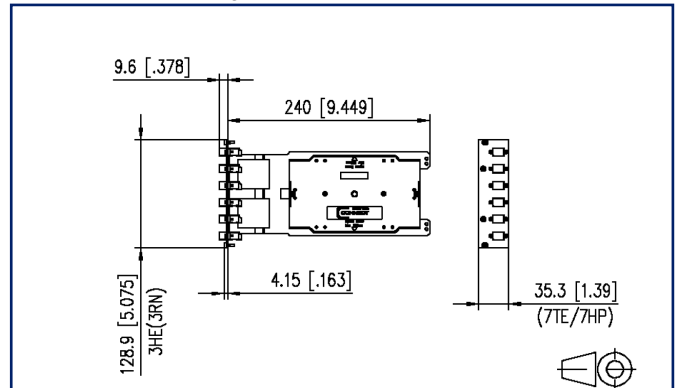
Page 1/6

P/N
1528S775061E
EAN 4250184199885
2025/06/02
Version: P

Illustrations



Dimensional drawing



See enlarged drawings at the end of document

Product specification

- Compact module OpDAT CM 6xLC-D 3RU/HP
- Fully equipped with 6 LC-D adapters and 12 LC pigtails
- Pigtails with semi-tight buffered fiber dia. 0.9 mm, length 2.0 m, 12 colors
- Pigtails inserted and stripped in standard splice tray with crimp splice holder
- Pigtails are cleaned and inserted into the adapters
- Front panel made of silver anodized aluminum, with numbered adapter positions
- Mounting plate made of steel, equipped with splice tray and overlength tray, each with a cover
- Fixing in the subassembly frame by captive screws
- Variants: equipped with LC-D adapters each blue (OS2), green (OS2 APC), lime green (OM5), violet (OM4) or aqua (OM3)



Data sheet
OpDAT CM 6xLC-D OM4 splice

P/N
1528S775061E
EAN 4250184199885
2025/06/02
Version: P

Technical Data

General Data

| | |
|---|--|
| Fields of application | structured building cabling office areas data center |
| Mechanical measurement according to MICE | M1 |
| Ingress measurement according to MICE | I1 |
| Climatic measurement according to MICE | C1 |
| Electromagnetic measurement according to MICE | E3 |
| Design | Compact module |
| Mounting style | 3RU/7HP |
| Transmission technology | Fiber optic |
| Port numbering | yes |
| Color | violet |
| Dimensions | |
| Dimension (L x W x H) | 249.6 mm x 128.9 mm x 35.3 mm |
| Dimension (L x W x H) | 9.827 in. x 5.075 in. x 1.39 in. |
| Inches | 19 inches |
| Height unit | 3RU |
| Horizontal pitch | 7HP |
| Installation depth | 242 mm |
| Installation depth | 9.528 in. |
| Number of cables/ buffered fibers | 12 |
| Cable Type | pigtail(s) |
| Fiber class | OM4 |
| Mode type of the fiber | Multimode |
| Fiber construction | 50/125 µm |
| Labeling option | printed numbers |

Connections/interfaces

| | |
|--------------------------------------|---------------|
| Connector technology interface 1 | LC-D Couplers |
| Connector technology interface 2 | LC-D Couplers |
| Number of ports interface 1 | 6 |
| Number of ports interface 2 | 6 |
| Number of equipped ports interface 1 | 6 |
| Number of ports interface 2 equipped | 6 |

OpDAT CM 6xLC-D OM4 splice

P/N

1528S775061E

EAN 4250184199885

2025/06/02

Version: P

Technical Data

Connections/interfaces

| | |
|--|-----------|
| Number of ports with dust protection interface 2 | 6 |
| Semi-tight buffered fiber pigtail length | 2 m |
| Semi-tight buffered fiber pigtail length | 6.56 ft |
| Semi-tight buffered fiber pigtail diameter | 0.9 mm |
| Semi-tight buffered fiber pigtail diameter | 0.035 in. |

Optical characteristics

| | |
|----------------|-------------|
| Insertion loss | max. 0,3 dB |
| Return loss | min. 20 dB |

Mechanical data

| | |
|--------------------------------|-----------------|
| Cut-out | SC, LC-D, E2000 |
| Connector type | duplex |
| Life - Number of mating cycles | min. 1000 |

Materials and material properties

| | |
|-------------------------------|------------------|
| Material - Front cover | Al (Aluminium) |
| Material - Front cover finish | silver anodized |
| Material - Mounting plate | steel |
| Material - Sleeve | ceramic, slotted |
| Material - Coupler housing | Plastics |
| Halogen free | yes |
| RoHS | compliant |

Environmental conditions

| | |
|----------------------------|----------------|
| Temperature (min. - max.) | |
| Temperature - Storage °C | -10 °C - 60 °C |
| Temperature - Storage °F | 14 °F - 140 °F |
| Temperature - Operating °C | -10 °C - 60 °C |
| Temperature - Operating °F | 14 °F - 140 °F |

Data sheet

Page 4/6

OpDAT CM 6xLC-D OM4 splice

P/N

1528S775061E

EAN 4250184199885

2025/06/02

Version: P

Technical Data**Standards/Regulations**

Optical fibers - Interconnecting devices and passive components - basic test and measuring methods

| | |
|---|---------------|
| Fibre optic interconnecting devices and passive components - Insertion loss | IEC 61300-3-4 |
|---|---------------|

| | |
|--|---------------|
| Fibre optic interconnecting devices and passive components - Return loss | IEC 61300-3-6 |
|--|---------------|

| | |
|--|-----------|
| Standard colours for insulation for low-frequency cables & wires | IEC 60304 |
|--|-----------|

Classifications

| | |
|----------|----------|
| ETIM 7.0 | EC001130 |
|----------|----------|

| | |
|----------|----------|
| ETIM 8.0 | EC001130 |
|----------|----------|

| | |
|----------|----------|
| ETIM 9.0 | EC001130 |
|----------|----------|

Packing details

| | |
|-------------------|---------------|
| Type of packaging | 1 pc(s) / box |
|-------------------|---------------|

Application note

This product is a standard product of METZ CONNECT. METZ CONNECT is not aware of the specific intended use of the goods by the Customer or any customers of the Customer. The Customer guarantees that it has fully and sufficiently tested the use of the goods and any product modifications, product changes or product enhancements with regard to the specific intended use in accordance with the state of the art or in any other way. At METZ CONNECT's request, the Customer shall submit and make available meaningful evidence (e.g. test and laboratory protocols, certifications, etc.).



Data sheet
OpDAT CM 6xLC-D OM4 splice

Page 5/6

P/N
1528S775061E
EAN 4250184199885
2025/06/02
Version: P

Accessories

| P/N | Designation |
|-------------|----------------------------|
| 1528SZ001-E | OpDAT CM Accessories kit 1 |
| 1528SZ002-E | OpDAT CM Accessories kit 2 |

Data sheet
OpDAT CM 6xLC-D OM4 splice

Page 6/6

P/N
1528S775061E
EAN 4250184199885
2025/06/02
Version: P

Illustrations

Dimensional drawing

