

Data sheet

OpDAT CM 6xLC-D OM3 splice

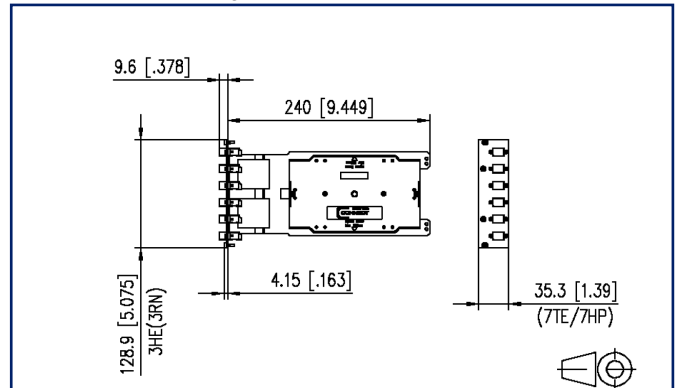
Page 1/6

P/N
1528S577061E
EAN 4250184181385
2025/06/02
Version: N

Illustrations



Dimensional drawing



See enlarged drawings at the end of document

Product specification

- Compact module OpDAT CM 6xLC-D 3RU/HP
- Fully equipped with 6 LC-D adapters and 12 LC pigtails
- Pigtails with semi-tight buffered fiber dia. 0.9 mm, length 2.0 m, 12 colors
- Pigtails inserted and stripped in standard splice tray with crimp splice holder
- Pigtails are cleaned and inserted into the adapters
- Front panel made of silver anodized aluminum, with numbered adapter positions
- Mounting plate made of steel, equipped with splice tray and overlength tray, each with a cover
- Fixing in the subassembly frame by captive screws
- Variants: equipped with LC-D adapters each blue (OS2), green (OS2 APC), lime green (OM5), violet (OM4) or aqua (OM3)



Data sheet
OpDAT CM 6xLC-D OM3 splice

P/N
1528S577061E
EAN 4250184181385
 2025/06/02
 Version: N

Technical Data

General Data

Fields of application	structured building cabling office areas data center
Mechanical measurement according to MICE	M1
Ingress measurement according to MICE	I1
Climatic measurement according to MICE	C1
Electromagnetic measurement according to MICE	E3
Design	Compact module
Mounting style	3RU/7HP
Transmission technology	Fiber optic
Port numbering	yes
Color	aqua
Dimensions	
Dimension (L x W x H)	249.6 mm x 128.9 mm x 35.3 mm
Dimension (L x W x H)	9.827 in. x 5.075 in. x 1.39 in.
Inches	19 inches
Height unit	3RU
Horizontal pitch	7HP
Installation depth	242 mm
Installation depth	9.528 in.
Number of cables/ buffered fibers	12
Cable Type	pigtail(s)
Fiber class	OM3
Mode type of the fiber	Multimode
Labeling option	printed numbers

Connections/interfaces

Connector technology interface 1	LC-D Couplers
Connector technology interface 2	LC-D Couplers
Number of ports interface 1	6
Number of ports interface 2	6
Number of equipped ports interface 1	6
Number of ports interface 2 equipped	6
Number of ports with dust protection interface 2	6

Data sheet
OpDAT CM 6xLC-D OM3 splice

P/N
1528S577061E
EAN 4250184181385
 2025/06/02
 Version: N

Technical Data

Connections/interfaces

Semi-tight buffered fiber pigtail length	2 m
Semi-tight buffered fiber pigtail length	6.56 ft
Semi-tight buffered fiber pigtail diameter	0.9 mm
Semi-tight buffered fiber pigtail diameter	0.035 in.

Optical characteristics

Insertion loss	max. 0,3 dB
Return loss	min. 35 dB

Mechanical data

Cut-out	SC, LC-D, E2000
Connector type	duplex
Life - Number of mating cycles	min. 1000

Materials and material properties

Material - Front cover	Al (Aluminium)
Material - Front cover finish	silver anodized
Material - Mounting plate	steel
Material - Sleeve	ceramic, slotted
Material - Coupler housing	Plastics
Halogen free	yes
RoHS	compliant

Environmental conditions

Temperature (min. - max.)	
Temperature - Storage °C	-10 °C - 60 °C
Temperature - Storage °F	14 °F - 140 °F
Temperature - Operating °C	-10 °C - 60 °C
Temperature - Operating °F	14 °F - 140 °F

Data sheet

Page 4/6

OpDAT CM 6xLC-D OM3 splice

P/N

1528S577061E

EAN 4250184181385

2025/06/02

Version: N

Technical Data**Standards/Regulations**

Optical fibers - Interconnecting devices and passive components - basic test and measuring methods

Fibre optic interconnecting devices and passive components - Insertion loss	IEC 61300-3-4
---	---------------

Fibre optic interconnecting devices and passive components - Return loss	IEC 61300-3-6
--	---------------

Standard colours for insulation for low-frequency cables & wires	IEC 60304
--	-----------

Classifications

ETIM 7.0	EC001130
----------	----------

ETIM 8.0	EC001130
----------	----------

ETIM 9.0	EC001130
----------	----------

Packing details

Type of packaging	1 pc(s) / box
-------------------	---------------

Application note

This product is a standard product of METZ CONNECT. METZ CONNECT is not aware of the specific intended use of the goods by the Customer or any customers of the Customer. The Customer guarantees that it has fully and sufficiently tested the use of the goods and any product modifications, product changes or product enhancements with regard to the specific intended use in accordance with the state of the art or in any other way. At METZ CONNECT's request, the Customer shall submit and make available meaningful evidence (e.g. test and laboratory protocols, certifications, etc.).



Data sheet
OpDAT CM 6xLC-D OM3 splice

Page 5/6

P/N
1528S577061E
EAN 4250184181385
2025/06/02
Version: N

Accessories

P/N	Designation
1528SZ001-E	OpDAT CM Accessories kit 1
1528SZ002-E	OpDAT CM Accessories kit 2

Data sheet
OpDAT CM 6xLC-D OM3 splice

Page 6/6

P/N
1528S577061E
EAN 4250184181385
2025/06/02
Version: N

Illustrations

Dimensional drawing

