

Data sheet

Consolidation Point splice 6xSC-D OS2

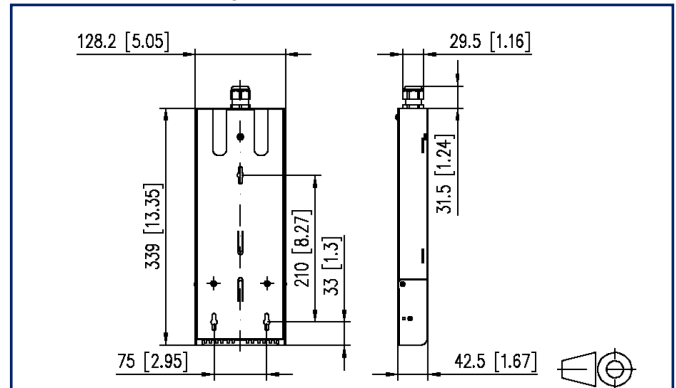
Page 1/6

P/N
150309E206-E
EAN 4251122197178
2025/09/18
Version: V

Illustrations



Dimensional drawing



See enlarged drawings at the end of document

Product specification

- Consolidation Point splice equipped
- equipped with SC-D adapters, pigtails and splice tray with crimp splice protection holders
- to splice loose tube cables
- Wall-mount powder-coated steel-sheet housing, (white, RAL 9010)
- patch area with swing-open and removable cover with label field
- possibility for strain relief for patch cord
- not used cutouts are closed by blind plugs
- cable management area with separate cover
- possible cable entry on the back side for one M20 cable gland
- if necessary order extensions or reductions for the fixing of the Prefabs as separate accessory
- supplied with material for wall-mounting



Consolidation Point splice 6xSC-D OS2

P/N

150309E206-E

EAN 4251122197178

2025/09/18

Version: V

Technical Data

General Data

Fields of application	structured building cabling office areas fiber to the desk data center
Mechanical measurement according to MICE	M1
Ingress measurement according to MICE	I1
Climatic measurement according to MICE	C1
Electromagnetic measurement according to MICE	E3
Transmission technology	Fiber optic
Color	blue
Dimensions	
Dimension (L x W x H)	128.2 mm x 29.6 mm x 339 mm
Dimension (L x W x H)	5.047 in. x 1.165 in. x 13.346 in.
Number of cables/ buffered fibers	12
Cable Type	pigtail(s)
Fiber class	OS2
Mode type of the fiber	Singlemode
Shape	UPC (Ultra Physical Contact)
Fiber construction	9/125 µm
Labeling option	label strip / labeling strip

Connections/interfaces

Connector technology interface 1	SC-D Couplers
Connector technology interface 2	SC-D Couplers
Number of ports interface 1	6
Number of ports interface 2	6
Number of equipped ports interface 1	6
Number of ports interface 2 equipped	6
Number of ports with dust protection interface 2	6
Semi-tight buffered fiber pigtail length	2 m
Semi-tight buffered fiber pigtail diameter	0.9 mm
Cable access/outlet	possibility for cable entry on the back

Consolidation Point splice 6xSC-D OS2

P/N

150309E206-E

EAN 4251122197178

2025/09/18

Version: V

Technical Data

Optical characteristics	
Insertion loss	max. 0,4 dB
Return loss	min. 35 dB
Mechanical data	
Connector type	duplex
strain relief	yes
Materials and material properties	
Material - Housing	sheet steel
Material - Housing finish	powder-coated
Material - Sleeve	ceramic, slotted
Halogen free	yes
RoHS	compliant
Standards/Regulations	
FO connector interfaces	IEC 61754-4
Optical fibers: Indoor optical cables	
Sectional specification for class B single-mode fibres	ISO/IEC 60793-2-50 type B.1.3 & B6_a
Optical fibers - Interconnecting devices and passive components - basic test and measuring methods	
Fibre optic interconnecting devices and passive components - Insertion loss	IEC 61300-3-4
Fibre optic interconnecting devices and passive components - Return loss	IEC 61300-3-6
Fibre optic interconnecting devices and passive components - Visual inspection of plug end face	IEC 61300-3-35
Standard colours for insulation for low-frequency cables & wires	IEC 60304
ITU-T standard	ITU-T G.657.A1 compatible with ITU-T G.652.D
Classifications	
ETIM 7.0	EC001130
ETIM 8.0	EC001130
ETIM 9.0	EC001130
ETIM 10.0	EC001130

Data sheet

Page 4/6

Consolidation Point splice 6xSC-D OS2

P/N

150309E206-E

EAN 4251122197178

2025/09/18

Version: V

Technical Data**Packing details**

Type of packaging 1 pc(s) / box

Application note

This product is a standard product of METZ CONNECT. METZ CONNECT is not aware of the specific intended use of the goods by the Customer or any customers of the Customer. The Customer guarantees that it has fully and sufficiently tested the use of the goods and any product modifications, product changes or product enhancements with regard to the specific intended use in accordance with the state of the art or in any other way. At METZ CONNECT's request, the Customer shall submit and make available meaningful evidence (e.g. test and laboratory protocols, certifications, etc.).



Data sheet

Page 5/6

Consolidation Point splice 6xSC-D OS2

P/N

150309E206-E

EAN 4251122197178

2025/09/18

Version: V

Accessories

P/N	Designation
150811P1611-E	Thread reducer PG16 to PG11
150811P1613-E	Thread reducer PG16 to PG13.5
150811P1621-E	Thread enlarger PG16 to PG21
15090401-E	OpDAT crimp splice protection (12 pieces)
15090401-I	OpDAT crimp splice protection (150 pieces)



Consolidation Point splice 6xSC-D OS2

P/N

150309E206-E

EAN 4251122197178

2025/09/18

Version: V

Illustrations

Dimensional drawing

