

Data sheet

Consolidation Point splice 6xLC-D OS2

Page 1/6

P/N
1503097406-E

EAN 4251122198984

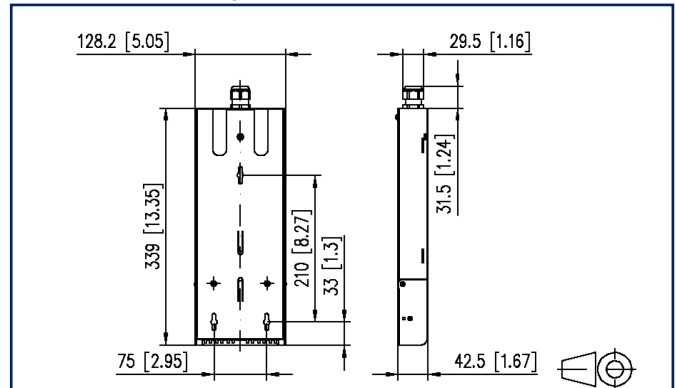
2025/09/18

Version: U

Illustrations



Dimensional drawing



See enlarged drawings at the end of document

Product specification

- Consolidation Point splice equipped
- equipped with LC-D adapters, pigtails and splice tray with crimp splice protection holders
- to splice loose tube cables
- Wall-mount powder-coated steel-sheet housing, (white, RAL 9010)
- patch area with swing-open and removable cover with label field
- possibility for strain relief for patch cord
- not used cutouts are closed by blind plugs
- cable management area with separate cover
- possible cable entry on the back side for one M20 cable gland
- if necessary order extensions or reductions for the fixing of the Prefabs as separate accessory
- supplied with material for wall-mounting



Consolidation Point splice 6xLC-D OS2

P/N

1503097406-E

EAN 4251122198984

2025/09/18

Version: U

Technical Data

General Data

Fields of application	structured building cabling office areas fiber to the desk data center
Mechanical measurement according to MICE	M1
Ingress measurement according to MICE	I1
Climatic measurement according to MICE	C1
Electromagnetic measurement according to MICE	E3
Transmission technology	Fiber optic
Color	blue
Dimensions	
Dimension (L x W x H)	128.2 mm x 29.6 mm x 339 mm
Dimension (L x W x H)	5.047 in. x 1.165 in. x 13.346 in.
Number of cables/ buffered fibers	12
Cable Type	pigtail(s)
Fiber class	OS2
Mode type of the fiber	Singlemode
Shape	UPC (Ultra Physical Contact)
Fiber construction	9/125 µm
Labeling option	label strip / labeling strip

Connections/interfaces

Connector technology interface 1	LC-D Couplers
Connector technology interface 2	LC-D Couplers
Number of ports interface 1	6
Number of ports interface 2	6
Number of equipped ports interface 1	6
Number of ports interface 2 equipped	6
Number of ports with dust protection interface 2	6
Semi-tight buffered fiber pigtail length	2 m
Semi-tight buffered fiber pigtail diameter	0.9 mm
Cable access/outlet	possibility for cable entry on the back

Consolidation Point splice 6xLC-D OS2

P/N

1503097406-E

EAN 4251122198984

2025/09/18

Version: U

Technical Data

Optical characteristics

Insertion loss max. 0,3 dB

Mechanical data

Connector type duplex

Life - Number of mating cycles min. 1000

strain relief yes

Materials and material properties

Material - Housing sheet steel

Material - Housing finish powder-coated

Material - Sleeve ceramic, slotted

Material - Coupler housing Plastics

Halogen free yes

RoHS compliant

Environmental conditions

Temperature (min. - max.)

Temperature - Storage °C -20 °C - 60 °C

Temperature - Storage °F -4 °F - 140 °F

Temperature - Operating °C -20 °C - 60 °C

Temperature - Operating °F -4 °F - 140 °F

Standards/Regulations

FO connector interfaces IEC 61754-20

Optical fibers: Indoor optical cables

Sectional specification for class B single-mode fibres ISO/IEC 60793-2-50 type B.1.3 & B6_a

Optical fibers - Interconnecting devices and passive components - basic test and measuring methods

Fibre optic interconnecting devices and passive components - Insertion loss IEC 61300-3-4

Fibre optic interconnecting devices and passive components - Return loss IEC 61300-3-6

Fibre optic interconnecting devices and passive components - Visual inspection of plug end face IEC 61300-3-35

Standard colours for insulation for low-frequency cables & wires IEC 60304

ITU-T standard ITU-T G.657.A1 compatible with ITU-T G.652.D

Data sheet

Page 4/6

Consolidation Point splice 6xLC-D OS2

P/N

1503097406-E

EAN 4251122198984

2025/09/18

Version: U

Technical Data**Classifications**

ETIM 7.0	EC001130
ETIM 8.0	EC001130
ETIM 9.0	EC001130
ETIM 10.0	EC001130

Packing details

Type of packaging 1 pc(s) / box

Application note

This product is a standard product of METZ CONNECT. METZ CONNECT is not aware of the specific intended use of the goods by the Customer or any customers of the Customer. The Customer guarantees that it has fully and sufficiently tested the use of the goods and any product modifications, product changes or product enhancements with regard to the specific intended use in accordance with the state of the art or in any other way. At METZ CONNECT's request, the Customer shall submit and make available meaningful evidence (e.g. test and laboratory protocols, certifications, etc.).



Data sheet

Page 5/6

Consolidation Point splice 6xLC-D OS2

P/N

1503097406-E

EAN 4251122198984

2025/09/18

Version: U

Accessories

P/N	Designation
150811P1611-E	Thread reducer PG16 to PG11
150811P1613-E	Thread reducer PG16 to PG13.5
150811P1621-E	Thread enlarger PG16 to PG21
15090401-E	OpDAT crimp splice protection (12 pieces)
15090401-I	OpDAT crimp splice protection (150 pieces)



Consolidation Point splice 6xLC-D OS2

P/N

1503097406-E

EAN 4251122198984

2025/09/18

Version: U

Illustrations

Dimensional drawing

