

Data sheet

MR-F-DOA4 Modbus RTU

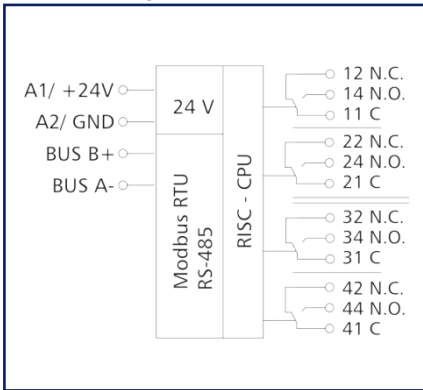
Page 1/8

P/N
11083613210170
EAN 4251394620763
2025/12/22
Version: N

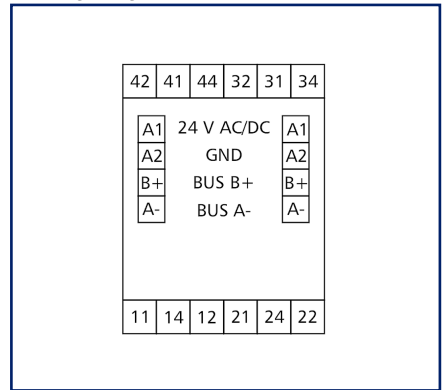
Illustrations



Principle diagram



Wiring diagram



See enlarged drawings at the end of document

Product specification

The Modbus module with 4 digital outputs was developed for decentralized switching tasks. It is suitable for switching electrical components, such as motors, contactors, lamps, louvers, etc. In this case it is necessary to protect the relay contacts by appropriate load-dependent measures. The outputs can be switched by means of standard registers via a Modbus master. Module address, bit rate and parity are set with 2 rotary switches on the front or by software. Suitable for decentralized mounting on DIN TH35 rail according to IEC 60715 in electrical distribution cabinets.

- Connection with spring clamp terminal blocks (push-in)

MR-F-DOA4 Modbus RTU

P/N

11083613210170

EAN 4251394620763

2025/12/22

Version: N

Technical Data

Approvals



Open Energy Management Equipment 34TZ

RS485 interface

Protocol	Modbus RTU
Address range	00 - 99
Bus interface	RS485 two wire bus with potential equalization in bus or line topology terminate with 120 Ohm
Transmission parameters	
Transmission rate	min. 1200 Bit/s (Bd) max. 115200 Bit/s (Bd)
Transmission rate default setting	19200 Bit/s (Bd)
Parity	Odd Even (default setting) None
Stopbits	1 (default setting) 2

Supply

Operating voltage	24 V AC/DC +/- 10 % (SELV)
Power consumption	
Power consumption AC (max.)	80 mA
Power consumption DC (max.)	40 mA
Duty cycle relative	100 %

Outputs

Digital outputs	4
Relay output	
Switching voltage relay output (max.)	250 V AC
Continuous current relay output	5 A / relay
Total current across all outputs	12 A
Switching frequency	360 switching cycles/h
Mechanical life	15x10 ⁶ switching cycles
Electrical life	1x10 ⁵ switching cycles

MR-F-DOA4 Modbus RTU

P/N
11083613210170
EAN 4251394620763
 2025/12/22
 Version: N

Technical Data

Isolation	
Nominal voltage of the power supply system	230 / 400 V AC
Overvoltage category	III II
Degree of pollution	2 2
Rated test voltage	4 kV 4 kV
Type of insulation	basic insulation reinforced insulation
Housing	
Dimensions	
Dimension (W x H x D)	35 mm x 69.3 mm x 60 mm
Dimension (W x H x D)	1.378 in. x 2.728 in. x 2.362 in.
Weight	95 g
Mounting style	Standard rail TH35
Mounting position	any
Apposition	without distance The maximum quantity of Modbus modules connected side-by-side is limited to 15 or to a maximum power consumption of 2 Amps (AC or DC) per connection to the power supply. For any similar block of additional modules a separate connection to the power supply is necessary.
Connection type	Spring clamp terminal blocks
Indicator	green, red and yellow LED
Terminal blocks	
Supply and bus	
Terminal block	4-pole
Solid wire (AWG)	max. 1.5 mm ² / max. 16 AWG
Stranded wire (AWG)	max. 1 mm ² / max. 18 AWG
Wire diameter	min. 0.3 mm max. 1.4 mm
Module connection	
Wire cross section solid	0.2 mm ² - 2.5 mm ² / AWG 24-14
Wire cross section multi	0.25 mm ² - 2.5 mm ² / AWG 24-12
Wire cross section with wire ferrule	0.25 mm ² - 1.5 mm ² / AWG 24-16
Stripping length (min.)	8 mm
Protection circuit	Polarity reversal protection for DC operating voltage Protection against interchanging power supply and bus

MR-F-DOA4 Modbus RTU

P/N

11083613210170

EAN 4251394620763

2025/12/22

Version: N

Technical Data

Material

Color	gray
Material - Terminal block	Polyamid 6.6 V0
Material - Covers	Polycarbonat

Protection category according to IEC 60529

Protection category - housing (acc. to IEC 60529)	IP40
Protection category - terminal blocks (acc. to IEC 60529)	IP20

Climatic Data

Operating	
Temperature - Operating °C	-5 °C - 55 °C
Temperature - Operating °F	23 °F - 131 °F
Relative humidity	max. 85 % non-condensing
Storage	
Temperature - Storage °C	-20 °C - 70 °C
Temperature - Storage °F	-4 °F - 158 °F

Classifications

ETIM 7.0	EC001097
ETIM 8.0	EC001097
ETIM 9.0	EC001097
ETIM 10.0	EC001097

Software and additional documents

Software and documentation	Further documentation is available for free download at www.metz-connect.com
----------------------------	--

Application note

This product is a standard product of METZ CONNECT. METZ CONNECT is not aware of the specific intended use of the goods by the Customer or any customers of the Customer. The Customer guarantees that it has fully and sufficiently tested the use of the goods and any product modifications, product changes or product enhancements with regard to the specific intended use in accordance with the state of the art or in any other way. At METZ CONNECT's request, the Customer shall submit and make available meaningful evidence (e.g. test and laboratory protocols, certifications, etc.).

Data sheet

Page 5/8

MR-F-DOA4 Modbus RTU

P/N

11083613210170

EAN 4251394620763

2025/12/22

Version: N

Accessories

P/N	Designation
110369	Terminal block Type 259
11056170	Power supply NG4-F 24 V DC
11080101	USB/RS485 Converter
31135104	Typ 135 RIACON 135_3.5

Data sheet

Page 6/8

MR-F-DOA4 Modbus RTU

P/N

11083613210170

EAN 4251394620763

2025/12/22

Version: N

Accessories from

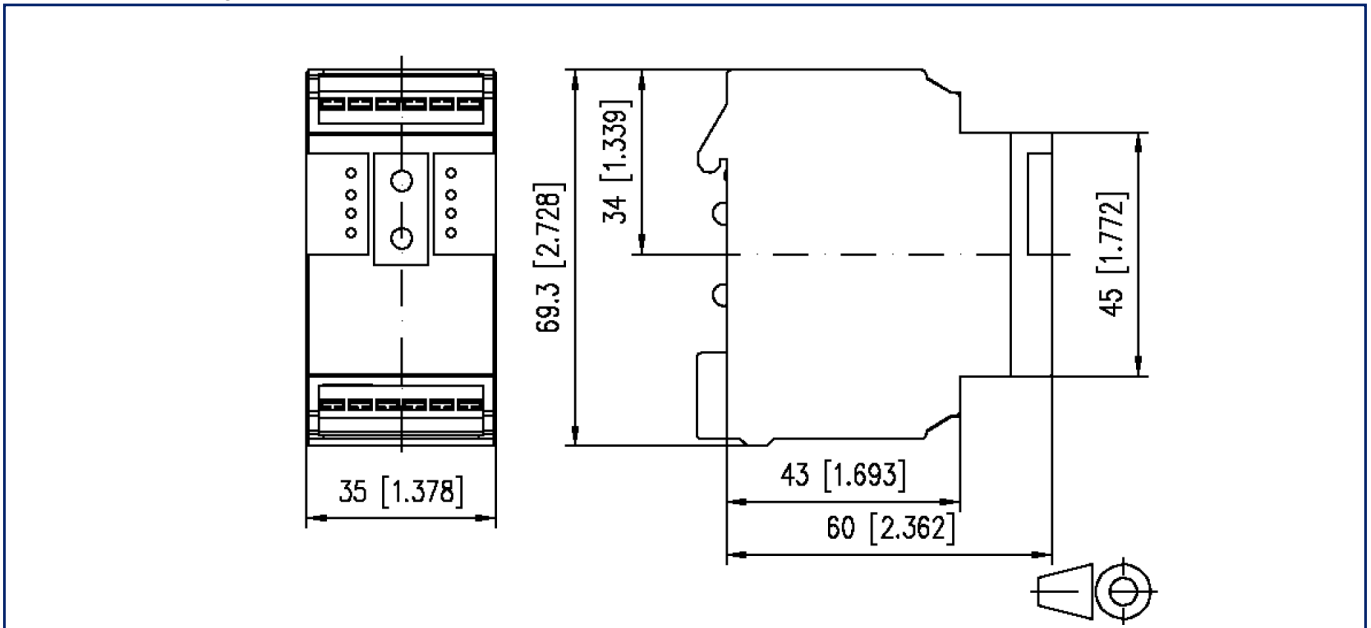
P/N	Designation
11083001	MR-GW Modbus RTU / Modbus TCP Gateway
1108300170	MR-F-GW Modbus RTU / Modbus TCP Gateway

Data sheet
MR-F-DOA4 Modbus RTU

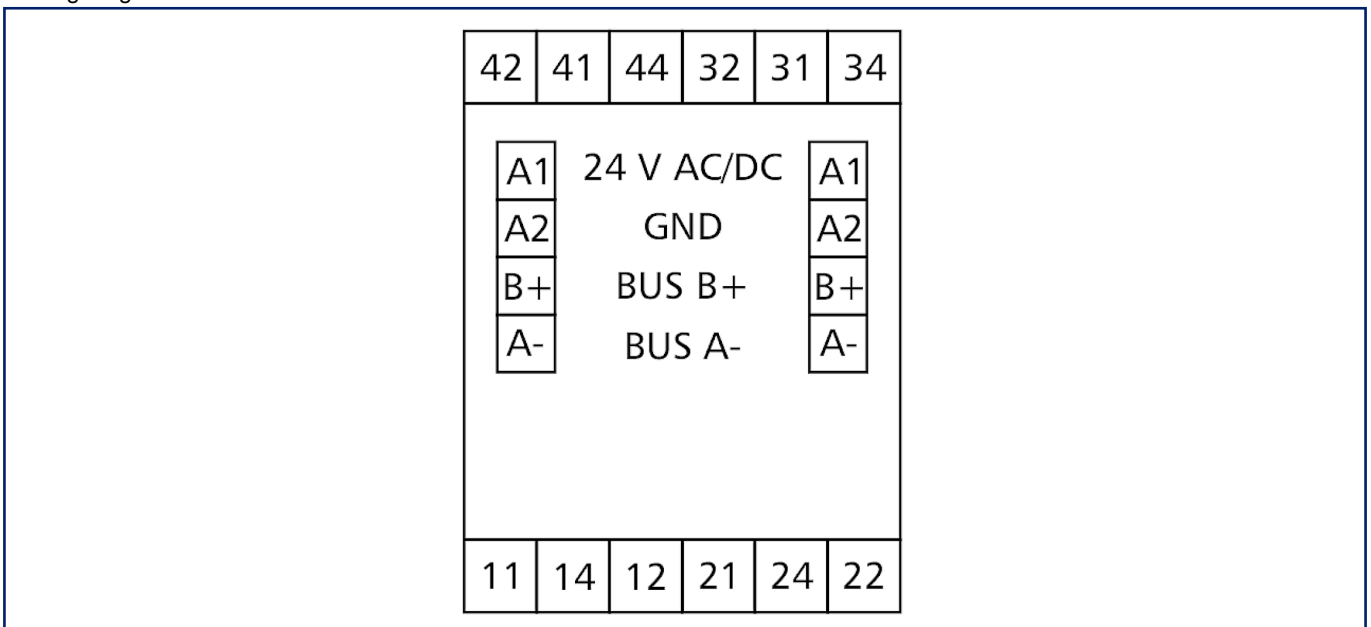
P/N
11083613210170
EAN 4251394620763
 2025/12/22
 Version: N

Illustrations

Dimensional drawing



Wiring diagram



MR-F-DOA4 Modbus RTU

P/N
 11083613210170
 EAN 4251394620763
 2025/12/22
 Version: N

Illustrations

Principle diagram

