

Data sheet

ASD-F-C18

Page 1/7

P/N
11027070

EAN 4251394620466

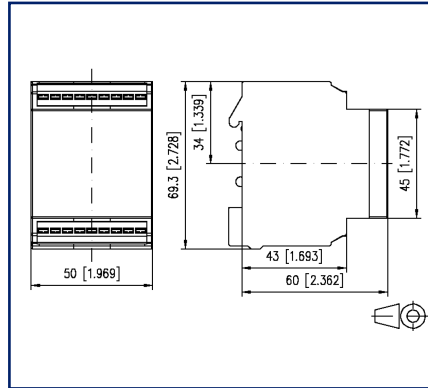
2025/12/22

Version: I

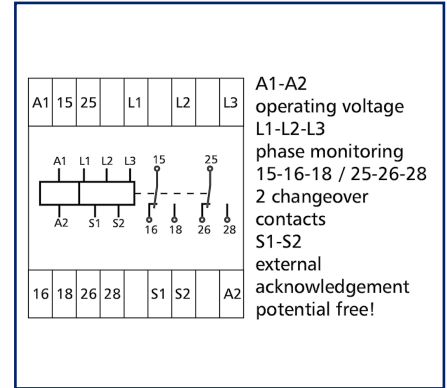
Illustrations



Dimensional drawing



Wiring diagram



See enlarged drawings at the end of document

Product specification

Monitoring relay for monitoring asymmetry, phase failure, phase sequence errors, overvoltage and undervoltage of a three-phase connection. With external fault acknowledgement.

- Connection with spring clamp terminal blocks (push-in)
- Adjustable response delay
- Adjustable asymmetry
- Selectable fault memory
- 7-segment display



Data sheet
ASD-F-C18

Page 2/7

P/N
11027070

EAN 4251394620466

2025/12/22

Version: I

Technical Data

Supply

Operating voltage	230 V AC -15% ... +10%
Frequency range	50 Hz
Power consumption (max.)	15 mA
Duty cycle relative	100 %

Inputs

Monitoring voltage (L1, L2, L3)	3 x 230/400 V AC, 50 Hz
Response delay	0.1 s - 9.9 s, adjustable
Confirmation time, adjustable	0,1 ... 9,9 min.
Asymmetry, adjustable	5 ... 20 %
Switching hysteresis	20 %
Measurement cycle	max. 100 ms
Temperature error	<= 0.06 %/°C
Measurement error within the operating voltage	<= 5 %

Outputs

Contacts	2 changeover contacts
Contact material	AgNi
Switching voltage (max.)	250 V AC
Continuous Current	8 A
Pick-up delay	230 V~ 6 A AC1
Switch-off delay	230 V~ 3 A AC3
Switching frequency	360 switching cycles/h
Mechanical life	3x10 ⁷ switching cycles
Electrical life	1x10 ⁵ switching cycles
Indicator	green LED

Housing

Dimensions	
Dimension (W x H x D)	50 mm x 69.3 mm x 60 mm
Dimension (W x H x D)	1.969 in. x 2.728 in. x 2.362 in.
Weight	200 g
Mounting style	Standard rail TH35
Mounting position	any

Data sheet
ASD-F-C18

Page 3/7

P/N
11027070

EAN 4251394620466

2025/12/22

Version: I

Technical Data

Housing

Apposition	without distance
Connection type	Spring clamp terminal blocks

Terminal blocks

Wire cross section solid	0.2 mm ² - 2.5 mm ² / AWG 24-14
Wire cross section multi	0.25 mm ² - 2.5 mm ² / AWG 24-12
Wire cross section with wire ferrule	0.25 mm ² - 1.5 mm ² / AWG 24-16
Stripping length (min.)	8 mm

Material

Material - Housing	Polyamid 6.6 V0
Color	gray
Material - Terminal block	Polyamid 6.6 V0
Material - Covers	Polycarbonat

Protection category according to IEC 60529

Protection category - housing (acc. to IEC 60529)	IP40
Protection category - terminal blocks (acc. to IEC 60529)	IP20

Climatic Data

Operating

Temperature - Operating °C	-5 °C - 55 °C
Temperature - Operating °F	23 °F - 131 °F
Relative humidity	max. 85 % non-condensing

Storage

Temperature - Storage °C	-20 °C - 70 °C
Temperature - Storage °F	-4 °F - 158 °F

Power loss

Power loss (typical)	5 W
----------------------	-----

Classifications

ETIM 7.0	EC001441
ETIM 8.0	EC001441
ETIM 9.0	EC001441
ETIM 10.0	EC001441

Data sheet
ASD-F-C18

Page 4/7

P/N
11027070

EAN 4251394620466

2025/12/22

Version: I

Technical Data**Application note**

This product is a standard product of METZ CONNECT. METZ CONNECT is not aware of the specific intended use of the goods by the Customer or any customers of the Customer. The Customer guarantees that it has fully and sufficiently tested the use of the goods and any product modifications, product changes or product enhancements with regard to the specific intended use in accordance with the state of the art or in any other way. At METZ CONNECT's request, the Customer shall submit and make available meaningful evidence (e.g. test and laboratory protocols, certifications, etc.).



Data sheet
ASD-F-C18

Page 5/7

P/N
11027070

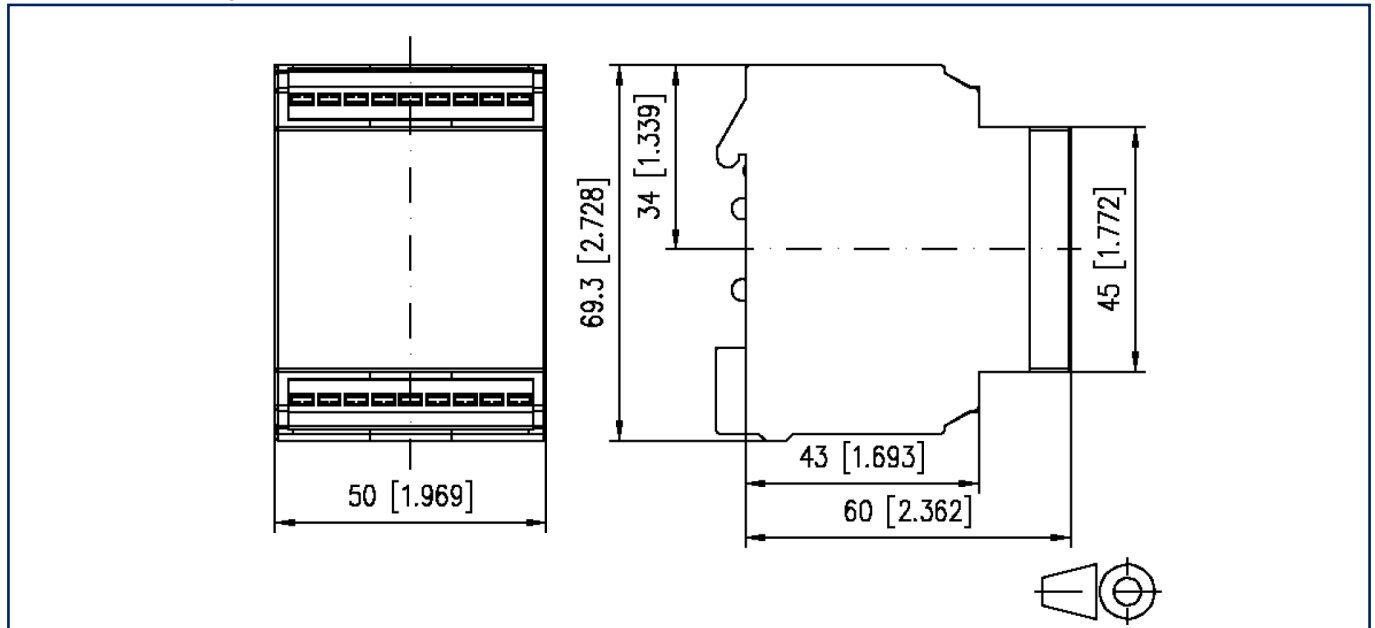
EAN 4251394620466

2025/12/22

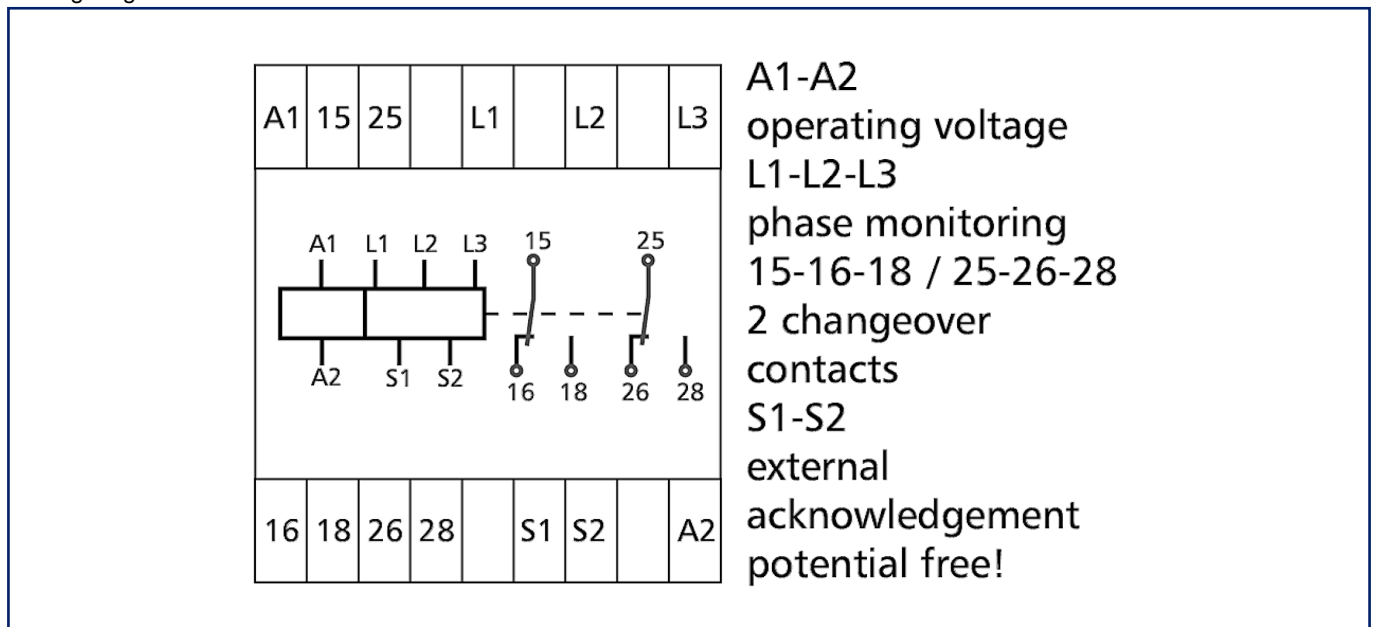
Version: I

Illustrations

Dimensional drawing

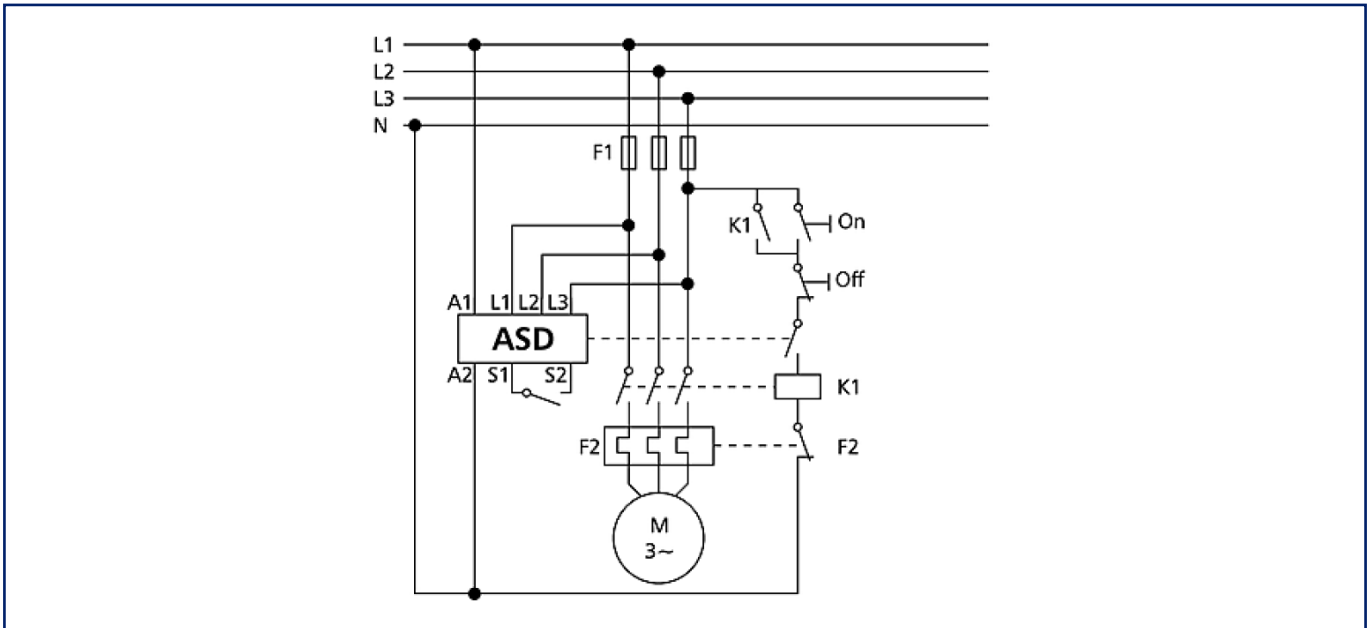


Wiring diagram

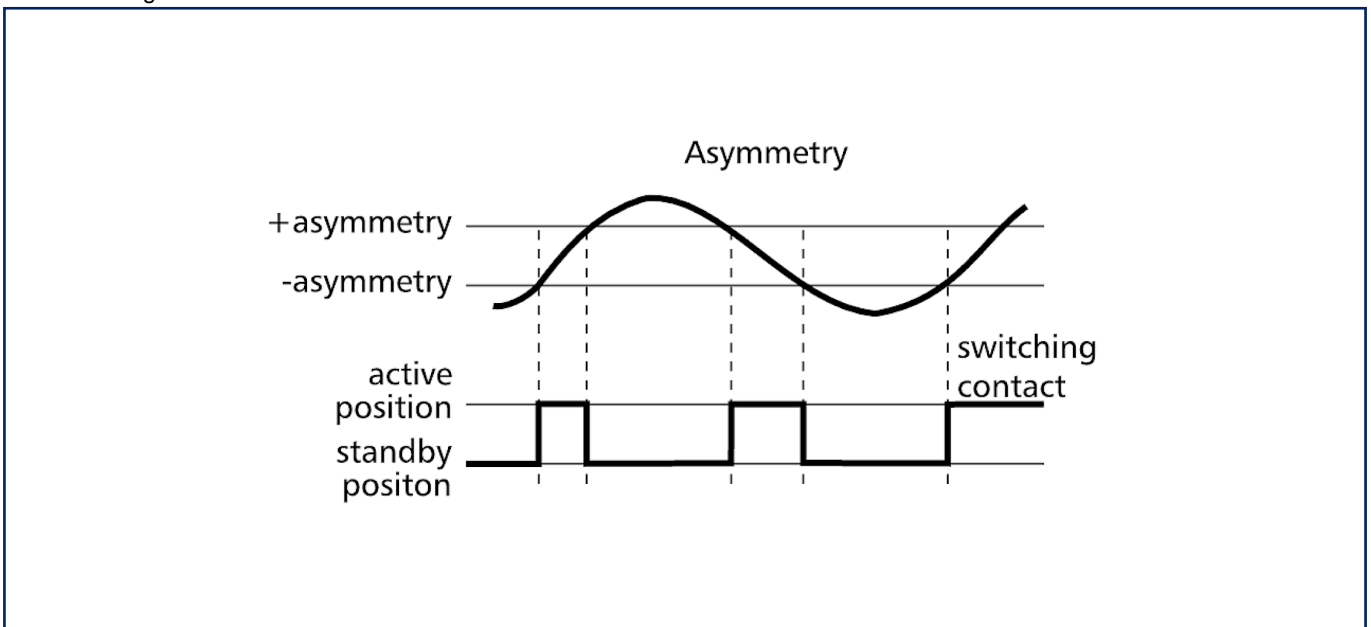


Illustrations

Schaltbeispiel

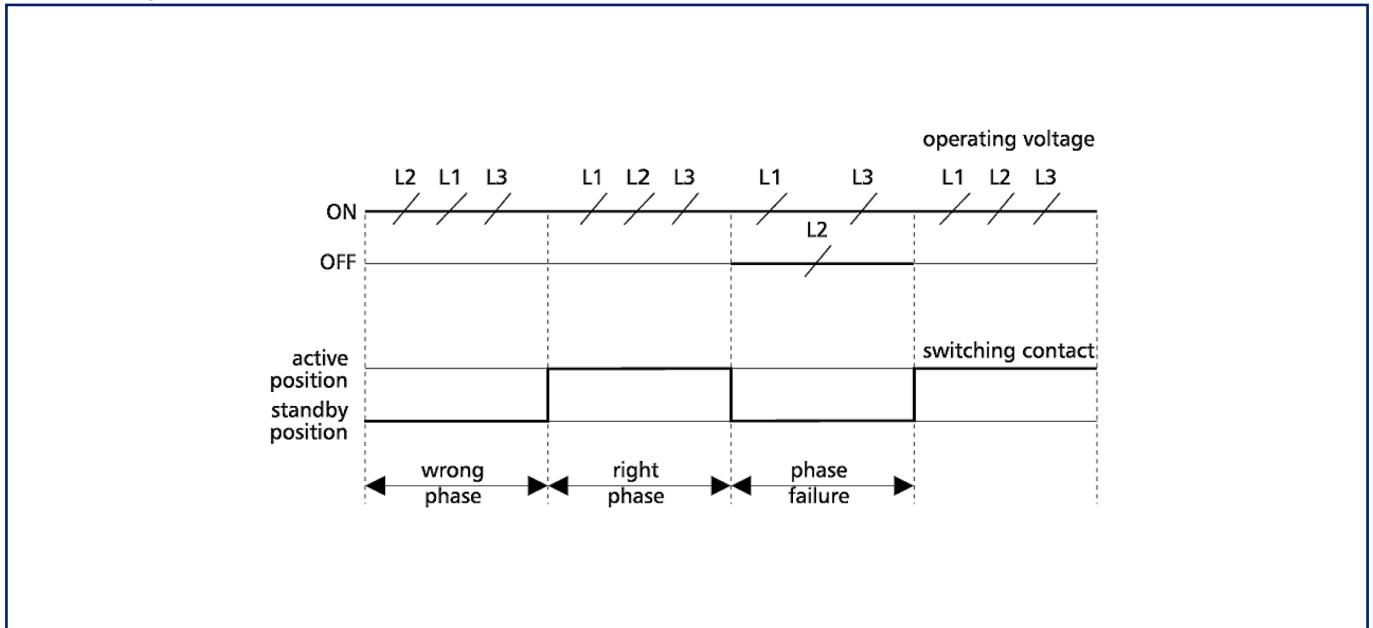


Function diagram

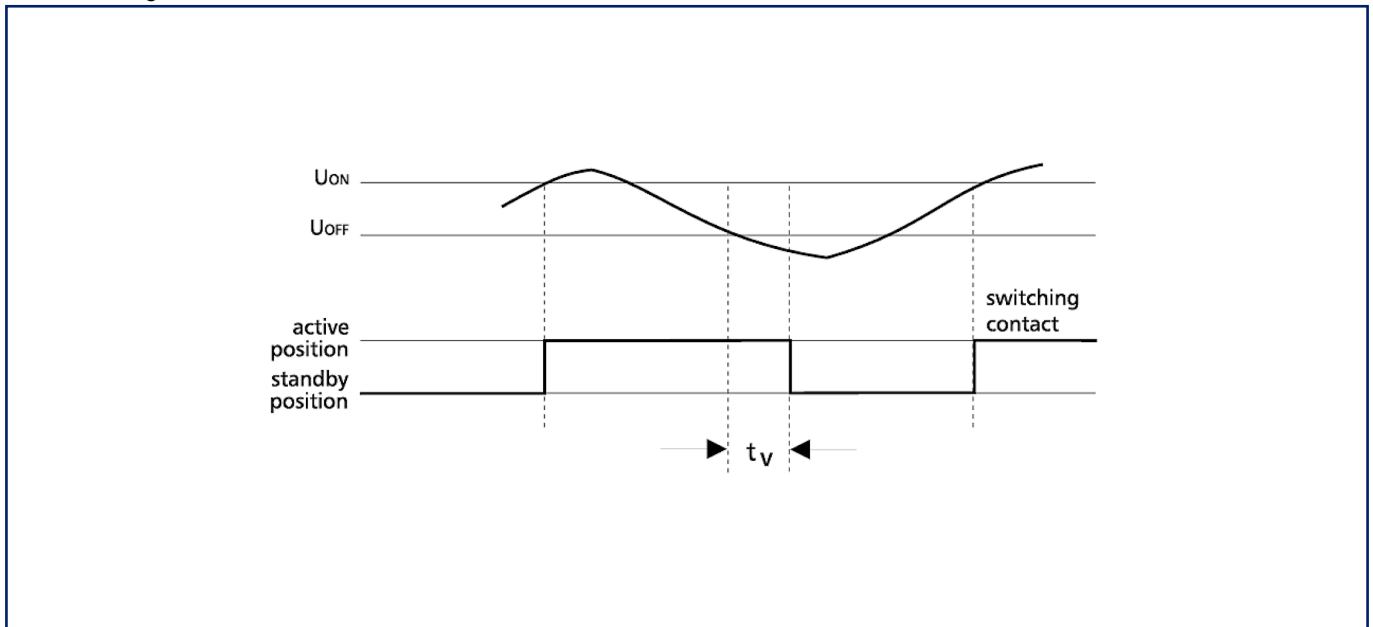


Illustrations

Function diagram



Function diagram



© 2025 METZ CONNECT - Technische Änderungen vorbehalten! Subject to modifications! Sous réserve de modifications techniques!