

Data sheet

OpDAT splice protection cover for 12 crimp splices

Page 1/14

P/N
15090301-I

EAN 4250184109662

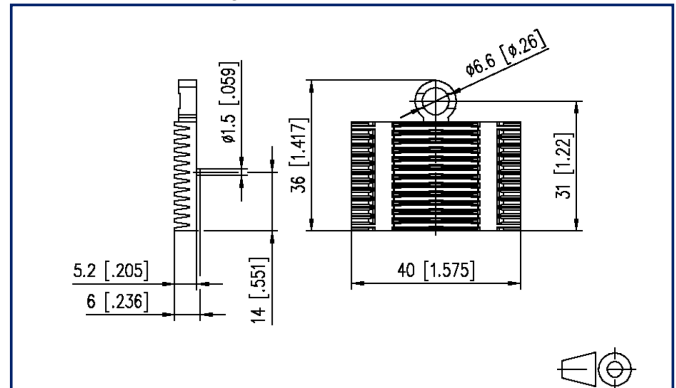
2025/12/09

Version: O

Illustrations



Dimensional drawing



See enlarged drawings at the end of document

Product specification

- splice protection cover for 12 crimp splices for mounting in standard splice tray, OpDAT REG plus, OpDAT REG pro or FO extension for surface-mounted module housing



OpDAT splice protection cover for 12 crimp splices

P/N

15090301-I

EAN 4250184109662

2025/12/09

Version: O

Technical Data

General Data

Mechanical measurement according to MICE	M1
Ingress measurement according to MICE	I1
Climatic measurement according to MICE	C1
Electromagnetic measurement according to MICE	E3
Design	Splice holder
Mounting style	Accessories
Color	black
Dimensions	
Dimension (L x W x H)	45 mm x 4 mm x 37 mm
Dimension (L x W x H)	1.772 in. x 0.157 in. x 1.457 in.

Materials and material properties

Material	Plastics
Halogen free	yes
RoHS	compliant

Classifications

ETIM 7.0	EC000759
ETIM 8.0	EC000759
ETIM 9.0	EC000759
ETIM 10.0	EC000759

Packing details

Type of packaging	100 pc(s) / box
-------------------	-----------------

Application note

This product is a standard product of METZ CONNECT. METZ CONNECT is not aware of the specific intended use of the goods by the Customer or any customers of the Customer. The Customer guarantees that it has fully and sufficiently tested the use of the goods and any product modifications, product changes or product enhancements with regard to the specific intended use in accordance with the state of the art or in any other way. At METZ CONNECT's request, the Customer shall submit and make available meaningful evidence (e.g. test and laboratory protocols, certifications, etc.).



Data sheet

Page 3/14

OpDAT splice protection cover for 12 crimp splices

P/N

15090301-I

EAN 4250184109662

2025/12/09

Version: O

Accessories

P/N	Designation
15090401-E	OpDAT crimp splice protection (12 pieces)
15090401-I	OpDAT crimp splice protection (150 pieces)



OpDAT splice protection cover for 12 crimp splices

P/N
15090301-I

EAN 4250184109662

2025/12/09

Version: O

Accessories from

P/N	Designation
130861-MSK-E	FO extension set for module and keystone surface mounted housing
1502017412-E	OpDAT PF patch panel VIK 12xLC-D (blue), OS2, gray
150201D212-E	OpDAT PF patch panel VIK 12xSC-D (metal), SM+MM, gray
1502020112-E	OpDAT PF patch panel splice 12xST-Simplex OM2
1502020124-E	OpDAT PF patch panel splice 24xST-Simplex OM2
15020231120E	OpDAT PF 1HE Patchfeld festeinbau 12xST MM (Ph-Br) Pigtails OM2 beigelegt
1502023112-E	OpDAT PF patch panel splice 12xST-S (metal), OM2, gray
15020231240E	OpDAT PF 1HE Patchfeld festeinbau 24xST MM (Ph-Br) Pigtails OM2 beigelegt
1502023124-E	OpDAT PF patch panel splice 24xST-S (metal), OM2, gray
1502025206-E	OpDAT PF patch panel splice 6xSC-D (metal), OM2, gray
1502025212-E	OpDAT PF patch panel splice 12xSC-Duplex OM2
150202C2060E	OpDAT PF 1HE Patchfeld festeinbau 6xSC-D MM (Ph-Br) Pigtails OM2 beigelegt
150202C206-E	OpDAT PF patch panel splice 6xSC-D (metal), OM2, gray
150202C212-E	OpDAT PF patch panel splice 12xSC-D (metal), OM2, gray
1502050112-E	OpDAT PF patch panel splice 12xST-Simplex OM3
1502050124-E	OpDAT PF patch panel splice 24xST-Simplex OM3
1502055206-E	OpDAT PF patch panel splice 6xSC-D (metal), OM3, gray
1502055212-E	OpDAT PF patch panel splice 12xSC-D (metal), OM3, gray
1502057706-E	OpDAT PF patch panel splice 6xLC-Duplex OM3
1502057712-E	OpDAT PF patch panel splice 12xLC-Duplex OM3
1502057724-E	OpDAT PF patch panel splice 24xLC-Duplex OM3
150205BA06-E	OpDAT PF patch panel splice 6xSC-Duplex OM3
150205BA12-E	OpDAT PF patch panel splice 12xSC-Duplex OM3
150205C206-E	OpDAT PF patch panel splice 6xSC-D (metal), OM3, gray
150205C212-E	OpDAT PF patch panel splice 12xSC-D (metal), OM3, gray



OpDAT splice protection cover for 12 crimp splices

P/N
15090301-I

EAN 4250184109662

2025/12/09

Version: O

Accessories from

1502070112-E	OpDAT PF patch panel splice 12xST-Simplex OM4
1502070124-E	OpDAT PF patch panel splice 24xST-Simplex OM4
1502075206-E	OpDAT PF patch panel splice 6xSC-D (metal), OM4, gray
1502075212-E	OpDAT PF patch panel splice 12xSC-D (metal), OM4, gray
1502077506-E	OpDAT PF patch panel splice 6xLC-Duplex OM4
1502077512-E	OpDAT PF patch panel splice 12xLC-Duplex OM4
1502077524-E	OpDAT PF patch panel splice 24xLC-Duplex OM4
150207BB06-E	OpDAT PF patch panel splice 6xSC-Duplex OM4
150207BB12-E	OpDAT PF patch panel splice 12xSC-Duplex OM4
150207C206-E	OpDAT PF patch panel splice 6xSC-D (metal), OM4, gray
150207C212-E	OpDAT PF patch panel splice 12xSC-D (metal), OM4, gray
150208BM12-E	OpDAT PF patch panel splice 12xSC-D (lime green), OM5, gray
1502090112-E	OpDAT PF patch panel splice 12xST-Simplex OS2
1502090124-E	OpDAT PF patch panel splice 24xST-Simplex OS2
1502095812-E	OpDAT PF patch panel splice 12xE2000-Simplex OS2
1502095824-E	OpDAT PF patch panel splice 24xE2000-Simplex OS2
1502095912-E	OpDAT PF patch panel splice 12xE2000-Simplex APC OS2
1502095924-E	OpDAT PF patch panel splice 24xE2000-Simplex APC OS2
1502095N12-E	OpDAT PF patch panel splice 12xE2000-S APC Grade B (green), OS2, gray
1502097406-E	OpDAT PF patch panel splice 6xLC-Duplex OS2
1502097412-E	OpDAT PF patch panel splice 12xLC-Duplex OS2
1502097424-E	OpDAT PF patch panel splice 24xLC-Duplex OS2
1502097606-E	OpDAT PF patch panel splice 6xLC-Duplex APC OS2
1502097612-E	OpDAT PF patch panel splice 12xLC-Duplex APC OS2
1502097624-E	OpDAT PF patch panel splice 24xLC-Duplex APC OS2
1502097N12-E	OpDAT PF patch panel splice 12xLC-D APC Grade B (green), OS2, gray
1502097P12-E	OpDAT PF patch panel splice 12xLC-D UPC Grade B (blue), OS2, gray
150209BN12-E	OpDAT PF patch panel splice 12xSC-D APC Grade B (green), OS2, gray
150209BP12-E	OpDAT PF patch panel splice 12xSC-D UPC Grade B (blue), OS2, gray

OpDAT splice protection cover for 12 crimp splices

P/N
15090301-I

EAN 4250184109662

2025/12/09

Version: O

Accessories from

150209D206-E	OpDAT PF patch panel splice 6xSC-Duplex (metal) OS2
150209D212-E	OpDAT PF patch panel splice 12xSC-Duplex (metal) OS2
150209E206-E	OpDAT PF patch panel splice 6xSC-Duplex OS2
150209E212-E	OpDAT PF patch panel splice 12xSC-Duplex OS2
150209F206-E	OpDAT PF patch panel splice 6xSC-Duplex APC OS2
150209F212-E	OpDAT PF patch panel splice 12xSC-D APC (green), OS2, gray
1502210124-E	OpDAT PA patch panel VIK 24xST-S (metal), SM+MM, gray
150221D212-E	OpDAT PA patch panel VIK 12xSC-D (metal), SM+MM, gray
1502220112-E	OpDAT PA patch panel splice 12xST-Simplex OM2
1502220124-E	OpDAT PA patch panel splice 24xST-Simplex OM2
1502223112-E	OpDAT PA patch panel splice 12xST-S (metal), OM2, gray
15022231240E	OpDAT PA 1HE Patchfeld ausziehbar 24xST MM (Ph-Br) Pigtails OM2 beigelegt
1502223124-E	OpDAT PA patch panel splice 24xST-S (metal), OM2, gray
1502225206-E	OpDAT PA patch panel splice 6xSC-D (metal), OM2, gray
1502225212-E	OpDAT PA patch panel splice 12xSC-Duplex OM2
1502227306-E	OpDAT PA patch panel splice 6xLC-D (beige), OM2, gray
1502227312-E	OpDAT PA patch panel splice 12xLC-D (beige), OM2, gray
150222C206-E	OpDAT PA patch panel splice 6xSC-D (metal), OM2, gray
150222C212-E	OpDAT PA patch panel splice 12xSC-D (metal), OM2, gray
1502230124-E	OpDAT PA 1HE Patchfeld ausziehbar 24xST MM (Keramik) Pigtails OM1 eingelegt und abgesetzt
150224D206-E	OpDAT PA 1HE Patchfeld ausziehbar 6xSC-D SM (Keramik) Pigtails OS1 eingelegt und abgesetzt
150224D212-E	OpDAT PA 1HE Patchfeld ausziehbar 12xSC-D SM (Keramik) Pigtails OS1 eingelegt und abgesetzt
1502250112-E	OpDAT PA patch panel splice 12xST-Simplex OM3
1502250124-E	OpDAT PA patch panel splice 24xST-Simplex OM3
1502255206-E	OpDAT PA patch panel splice 6xSC-Duplex (metal) OM3
1502257706-E	OpDAT PA patch panel splice 6xLC-Duplex OM3

OpDAT splice protection cover for 12 crimp splices

P/N
15090301-I

EAN 4250184109662

2025/12/09

Version: O

Accessories from

1502257712-E	OpDAT PA patch panel splice 12xLC-Duplex OM3
150225BA06-E	OpDAT PA patch panel splice 6xSC-Duplex OM3
150225BA12-E	OpDAT PA patch panel splice 12xSC-Duplex OM3
150225C206-E	OpDAT PA patch panel splice 6xSC-D (metal), OM3, gray
150225C212-E	OpDAT PA patch panel splice 12xSC-D (metal), OM3, gray
1502270112-E	OpDAT PA patch panel splice 12xST-S (metal), OM4, gray
1502270124-E	OpDAT PA patch panel splice 24xST-Simplex OM4
1502275206-E	OpDAT PA patch panel splice 6xSC-D (metal), OM4, gray
1502275212-E	OpDAT PA patch panel splice 12xSC-D (metal), OM4, gray
1502277506-E	OpDAT PA patch panel splice 6xLC-Duplex OM4
1502277512-E	OpDAT PA patch panel splice 12xLC-Duplex OM4
150227BB06-E	OpDAT PA patch panel splice 6xSC-Duplex OM4
150227BB12-E	OpDAT PA patch panel splice 12xSC-Duplex OM4
150227C206-E	OpDAT PA patch panel splice 6xSC-D (metal), OM4, gray
150227C212-E	OpDAT PA patch panel splice 12xSC-D (metal), OM4, gray
1502287M12-E	OpDAT PA patch panel splice 12xLC-Duplex OM5
150228BM12-E	OpDAT PA patch panel splice 12xSC-D (lime green), OM5, gray
1502290112-E	OpDAT PA patch panel splice 12xST-S (metal), OS2, gray
1502290124-E	OpDAT PA patch panel splice 24xST-Simplex OS2
1502295812-E	OpDAT PA patch panel splice 12xE2000 (blue), OS2, gray
1502295824-E	OpDAT PA patch panel splice 24xE2000 (blue), OS2, gray
1502295912-E	OpDAT PA patch panel splice 12xE2000 APC (green), OS2, gray
1502295924-E	OpDAT PA patch panel splice 24xE2000-Simplex APC OS2
1502295N12-E	OpDAT PA patch panel splice 12xE2000-S APC Grade B (green), OS2, gray
1502297406-E	OpDAT PA patch panel splice 6xLC-Duplex OS2
1502297412-E	OpDAT PA patch panel splice 12xLC-Duplex OS2
1502297606-E	OpDAT PA patch panel splice 6xLC-Duplex APC OS2

OpDAT splice protection cover for 12 crimp splices

P/N
15090301-I

EAN 4250184109662

2025/12/09

Version: O

Accessories from

1502297612-E	OpDAT PA patch panel splice 12xLC-Duplex APC OS2
1502297N12-E	OpDAT PA patch panel splice 12xLC-D APC Grade B (green), OS2, gray
1502297P12-E	OpDAT PA patch panel splice 12xLC-D UPC Grade B (blue), OS2, gray
150229BN12-E	OpDAT PA patch panel splice 12xSC-D APC Grade B (green), OS2, gray
150229BP12-E	OpDAT PA patch panel splice 12xSC-D UPC Grade B (blue), OS2, gray
150229D206-E	OpDAT PA patch panel splice 6xSC-Duplex (metal) OS2
150229D212-E	OpDAT PA patch panel splice 12xSC-Duplex (metal) OS2
150229E206-E	OpDAT PA patch panel splice 6xSC-Duplex OS2
150229E212-E	OpDAT PA patch panel splice 12xSC-Duplex OS2
150229F206-E	OpDAT PA patch panel splice 6xSC-D APC (green), OS2, gray
150229F212-E	OpDAT PA patch panel splice 12xSC-D APC (green), OS2, gray
15024A10-E	OpDAT REGpro housing without splice tray
15024A10S-E	OpDAT REGpro housing with splice tray and crimp splice holder
15024ASK-E	OpDAT REGpro splice tray with crimp splice holder
15024ASK-S	OpDAT REGpro splice tray with shrink splice holder
1502517406-E	OpDAT fix patch panel VIK 6xLC-D (blue), OS2, gray
1502517424-E	OpDAT fix Patchfeld 24xLC-D (Keramik, blau), VIK
1502524106-E	OpDAT fix patch panel splice 6xST-D (metal), OM2, gray
1502524112-E	OpDAT fix patch panel splice 12xST-D (metal), OM2, gray
1502527306-E	OpDAT fix patch panel splice 6xLC-D (beige), OM2, gray
1502527312-E	OpDAT fix patch panel splice 12xLC-D (beige), OM2, gray
1502527324-E	OpDAT fix patch panel splice 24xLC-D (beige), OM2, gray
150252B206-E	OpDAT fix patch panel splice 6xSC-D (beige), OM2, gray
150252B212-E	OpDAT fix patch panel splice 12xSC-D (beige), OM2, gray
150252B224-E	OpDAT fix patch panel splice 24xSC-Duplex OM2
1502554106-E	OpDAT fix patch panel splice 6xST-D (metal), OM3, gray

OpDAT splice protection cover for 12 crimp splices

P/N
15090301-I

EAN 4250184109662

2025/12/09

Version: O

Accessories from

1502554112-E	OpDAT fix patch panel splice 12xST-D (metal), OM3, gray
1502554124-E	OpDAT fix patch panel splice 24xST-D (metal), OM3, gray
1502557706-E	OpDAT fix patch panel splice 6xLC-Duplex OM3
1502557706-F	OpDAT fix patch panel splice 6xLC-D OM3 gray, 12 front cover
1502557712-B	OpDAT fix patch panel splice 12xLC-D (aqua), OM3, black
1502557712-E	OpDAT fix patch panel splice 12xLC-Duplex OM3
1502557724-E	OpDAT fix patch panel splice 24xLC-D OM3 gray
1502557E12-E	OpDAT fix patch panel splice 12xLC-Duplex OM3
150255BA06-E	OpDAT fix patch panel splice 6xSC-Duplex OM3
150255BA06-F	OpDAT fix patch panel splice 6xSC-D OM3 gray, 12 front cover
150255BA12-E	OpDAT fix patch panel splice 12xSC-Duplex OM3
150255BA12-F	OpDAT fix patch panel splice 12xSC-D OM3 gray, 12 front cover
150255BA24-E	OpDAT fix patch panel splice 24xSC-D OM3 gray
150255D106-E	OpDAT fix patch panel splice 6xST-D OM3
150255D112-E	OpDAT fix patch panel splice 12xST-Duplex OM3
150255D124-E	OpDAT fix patch panel splice 24xST-D OM3
1502577506-E	OpDAT fix patch panel splice 6xLC-Duplex OM4
1502577506-F	OpDAT fix patch panel splice 6xLC-D OM4 gray
1502577512-E	OpDAT fix patch panel splice 12xLC-Duplex OM4
1502577524-E	OpDAT fix patch panel splice 24xLC-D OM4 gray
150257BB06-E	OpDAT fix patch panel splice 6xSC-Duplex OM4
150257BB12-E	OpDAT fix patch panel splice 12xSC-Duplex OM4
150257BB12-F	OpDAT fix patch panel splice 12xSC-D OM4 gray
150257BB24-E	OpDAT fix patch panel splice 24xSC-D OM4 gray
150257D106-E	OpDAT fix patch panel splice 6xST-Duplex OM4
150257D112-E	OpDAT fix patch panel splice 12xST-Duplex OM4
150257D124-E	OpDAT fix patch panel splice 24xST-D OM4
1502581M12-E	OpDAT fix patch panel splice 12xSC-S (lime green), OM5, gray
1502587M06-F	OpDAT fix patch panel splice 6xLC-D OM5
1502587M12-E	OpDAT fix patch panel splice 12xLC-Duplex OM5
1502587M24-E	OpDAT fix patch panel splice 24xLC-D OM5
150258BM12-E	OpDAT fix patch panel splice 12xSC-Duplex OM5

OpDAT splice protection cover for 12 crimp splices

P/N
15090301-I

EAN 4250184109662

2025/12/09

Version: O

Accessories from

150258BM24-E	OpDAT fix patch panel splice 24xSC-D OM5
1502595812-E	OpDAT fix patch panel splice 12xE2000-Simplex APC OS2
1502595824-E	OpDAT fix patch panel splice 24xE2000-Simplex OS2
1502595912-E	OpDAT fix patch panel splice 12xE2000-Simplex APC OS2
1502595924-E	OpDAT fix patch panel splice 24xE2000-S APC OS2
1502595D12-E	OpDAT fix patch panel splice 12xE2000-D APC (green), OS2, gray
1502595E12-E	OpDAT fix patch panel splice 12xE2000-D (blue), OS2, gray
1502595E24-E	OpDAT fix patch panel splice 24xE2000-D (blue), OS2, gray
1502595F06-E	OpDAT fix patch panel splice 6xE2000-Duplex APC OS2
1502595F12-E	OpDAT fix patch panel splice 12xE2000-Duplex APC OS2
1502595F18-E	OpDAT fix patch panel splice 18xE2000-D APC (green), OS2, gray
1502595F24-E	OpDAT fix patch panel splice 24xE2000-Duplex APC OS2
1502597406-E	OpDAT fix patch panel splice 6xLC-Duplex OS2
1502597412-E	OpDAT fix patch panel splice 12xLC-Duplex OS2
1502597412-F	OpDAT fix patch panel splice 12xLC-D OS2 gray
1502597424-E	OpDAT fix patch panel splice 24xLC-D OS2 gray
1502597606-E	OpDAT fix patch panel splice 6xLC-Duplex APC OS2
1502597612-B	OpDAT fix patch panel splice 12xLC-D APC (green), OS2, black
1502597612-E	OpDAT fix patch panel splice 12xLC-Duplex APC OS2
1502597612-F	OpDAT fix patch panel splice 12xLC-D APC OS2
1502597624-E	OpDAT fix patch panel splice 24xLC-D APC OS2
1502597E12-E	OpDAT fix patch panel splice 12xLC-D (metal), OS2, gray
1502597N12-E	OpDAT fix patch panel splice 12xLC-D APC Grade B (green), OS2, gray
1502597P12-E	OpDAT fix patch panel splice 12xLC-D UPC Grade B (blue), OS2, gray
150259BN12-E	OpDAT fix patch panel splice 12xSC-D APC Grade B (green), OS2, gray
150259BN24-E	OpDAT fix patch panel splice 24xSC-D APC Grade B (green), OS2, gray
150259BP12-E	OpDAT fix patch panel splice 12xSC-D UPC Grade B (blue), OS2, gray
150259D106-E	OpDAT fix patch panel splice 6xST-Duplex OS2

OpDAT splice protection cover for 12 crimp splices

P/N

15090301-I

EAN 4250184109662

2025/12/09

Version: O

Accessories from

150259D112-E	OpDAT fix patch panel splice 12xST-Duplex OS2
150259D124-E	OpDAT fix patch panel splice 24xST-D OS2
150259D206-E	OpDAT fix patch panel splice 6xSC-Duplex (metal) OS2
150259D212-E	OpDAT fix patch panel splice 12xSC-D (metal), OS2, gray
150259E206-E	OpDAT fix patch panel splice 6xSC-Duplex OS2
150259E212-E	OpDAT fix patch panel splice 12xSC-Duplex OS2
150259E212-F	OpDAT fix patch panel splice 12xSC-D OS2 gray
150259E224-E	OpDAT fix patch panel splice 24xSC-D OS2 gray
150259F206-E	OpDAT fix patch panel splice 6xSC-Duplex APC OS2
150259F206-F	OpDAT fix patch panel splice 6xSC-D APC OS2
150259F212-E	OpDAT fix patch panel splice 12xSC-Duplex APC OS2
150259F212-F	OpDAT fix patch panel splice 12xSC-D APC OS2
150259F224-E	OpDAT fix patch panel splice 24xSC-D APC OS2
150262B206-E	OpDAT slide patch panel splice 6xSC-Duplex OM2
150262B212-E	OpDAT slide patch panel splice 12xSC-D (beige), OM2, gray
150262B224-E	OpDAT slide patch panel splice 24xSC-Duplex OM2
1502654112-E	OpDAT slide patch panel splice 12xST-D (metal), OM3, gray
1502655H24-E	OpDAT slide patch panel splice 24xE2000-Simplex OM3
1502657706-E	OpDAT slide patch panel splice 6xLC-Duplex OM3
1502657706-F	OpDAT slide patch panel splice 6xLC-D OM3 gray
1502657712-E	OpDAT slide patch panel splice 12xLC-Duplex OM3
1502657724-E	OpDAT slide patch panel splice 24xLC-D OM3 gray
150265BA06-E	OpDAT slide patch panel splice 6xSC-Duplex OM3
150265BA12-E	OpDAT slide patch panel splice 12xSC-Duplex OM3
150265BA24-E	OpDAT slide patch panel splice 24xSC-D OM3 gray
150265D106-E	OpDAT slide patch panel splice 6xST-Duplex OM3
150265D112-E	OpDAT slide patch panel splice 12xST-Duplex OM3
150265D124-E	OpDAT slide patch panel splice 24xST-D OM3
1502674112-E	OpDAT slide patch panel splice 12xST-D (metal), OM4, gray
1502675G24-E	OpDAT slide patch panel splice 24xE2000-Simplex OM4
1502677506-E	OpDAT slide patch panel splice 6xLC-Duplex OM4
1502677512-E	OpDAT slide patch panel splice 12xLC-Duplex OM4



OpDAT splice protection cover for 12 crimp splices

P/N
15090301-I

EAN 4250184109662

2025/12/09

Version: O

Accessories from

1502677524-E	OpDAT slide patch panel splice 24xLC-D OM4 gray
150267BB06-E	OpDAT slide patch panel splice 6xSC-Duplex OM4
150267BB12-E	OpDAT slide patch panel splice 12xSC-Duplex OM4
150267BB24-E	OpDAT slide patch panel splice 24xSC-D OM4 gray
150267D106-E	OpDAT slide patch panel splice 6xST-Duplex OM4
150267D112-E	OpDAT slide patch panel splice 12xST-Duplex OM4
150267D124-E	OpDAT slide patch panel splice 24xST-D OM4
1502687M12-E	OpDAT slide patch panel splice 12xLC-Duplex OM5
1502687M24-E	OpDAT slide patch panel splice 24xLC-D OM5
150268BM12-E	OpDAT slide patch panel splice 12xSC-D (lime green), OM5, gray
150268BM24-E	OpDAT slide patch panel splice 24xSC-D OM5
1502695812-E	OpDAT slide patch panel splice 12xE2000-Simplex OS2
1502695824-E	OpDAT slide patch panel splice 24xE2000 (blue), OS2, gray
1502695912-E	OpDAT slide patch panel splice 12xE2000-Simplex APC OS2
1502695924-E	OpDAT slide patch panel splice 24xE2000-S APC OS2
1502695D12-E	OpDAT slide patch panel splice 12xE2000-D APC Grade B (green), OS2, gray
1502695E12-E	OpDAT slide patch panel splice 12xE2000-D (blue), OS2, gray
1502695E24-E	OpDAT slide patch panel splice 24xE2000-D (blue), OS2, gray
1502695F12-E	OpDAT slide patch panel splice 12xE2000-Duplex APC OS2
1502695F24-E	OpDAT slide patch panel splice 24xE2000-Duplex APC OS2
1502697406-E	OpDAT slide patch panel splice 6xLC-Duplex OS2
1502697412-E	OpDAT slide patch panel splice 12xLC-Duplex OS2
1502697424-E	OpDAT slide patch panel splice 24xLC-D OS2 gray
1502697606-E	OpDAT slide patch panel splice 6xLC-Duplex APC OS2
1502697612-E	OpDAT slide patch panel splice 12xLC-Duplex APC OS2
1502697624-E	OpDAT slide patch panel splice 24xLC-D APC OS2
1502697A24-E	OpDAT slide patch panel splice 24xLC-Q APC OS2
1502697N12-E	OpDAT slide patch panel splice 12xLC-D APC Grade B (green), OS2, gray
1502697P12-E	OpDAT slide patch panel splice 12xLC-D UPC Grade B (blue), OS2, gray
150269BN12-E	OpDAT slide patch panel splice 12xSC-D APC Grade B (green), OS2, gray

OpDAT splice protection cover for 12 crimp splices

P/N

15090301-I

EAN 4250184109662

2025/12/09

Version: O

Accessories from

150269BP12-E	OpDAT slide patch panel splice 12xSC-D UPC Grade B (blue), OS2, gray
150269D106-E	OpDAT slide patch panel splice 6xST-Duplex OS2
150269D112-E	OpDAT slide patch panel splice 12xST-Duplex OS2
150269D124-E	OpDAT slide patch panel splice 24xST-D OS2
150269D206-E	OpDAT slide patch panel splice 6xSC-D (metal), OS2, gray
150269D212-E	OpDAT slide patch panel splice 12xSC-Duplex (metal) OS2
150269E206-E	OpDAT slide patch panel splice 6xSC-Duplex OS2
150269E212-E	OpDAT slide patch panel splice 12xSC-Duplex OS2
150269E224-E	OpDAT slide patch panel splice 24xSC-D OS2 gray
150269F206-E	OpDAT slide patch panel splice 6xSC-Duplex APC OS2
150269F212-E	OpDAT slide patch panel splice 12xSC-Duplex APC OS2
150269F224-E	OpDAT slide patch panel splice 24xSC-D APC OS2
1502757724-E	OpDAT slide R patch panel splice 24xLC-Duplex OM3
150275BA24-E	OpDAT slide R patch panel splice 24xSC-Duplex OM3
1502777524-E	OpDAT slide R patch panel splice 24xLC-Duplex OM4
150277BB24-E	OpDAT slide R patch panel splice 24xSC-Duplex OM4
1502787M24-E	OpDAT slide R patch panel splice 24xLC-Duplex OM5
1502795F24-E	OpDAT slide R patch panel splice 24xE2000-Duplex APC OS2
1502797424-E	OpDAT slide R patch panel splice 24xLC-Duplex OS2
1502797624-E	OpDAT slide R patch panel splice 24xLC-Duplex APC OS2
150279E224-E	OpDAT slide R patch panel splice 24xSC-Duplex OS2
150279F224-B	OpDAT slide R patch panel splice 24xSC-Duplex APC OS2 black
150279F224-E	OpDAT slide R patch panel splice 24xSC-Duplex APC OS2
1502877548-E	OpDAT slide patch panel splice 48xLC-D (violet), OM4, gray
1502897448-E	OpDAT slide patch panel splice 48xLC-D (blue), OS2, gray
1502997472-E	OpDAT slide patch panel splice 72xLC-D (blue), OS2, gray
1504677506-E	
1509010000-E	OpDAT splice tray for 12 splices, unequipped



Data sheet

Page 14/14

OpDAT splice protection cover for 12 crimp splices

P/N

15090301-I

EAN 4250184109662

2025/12/09

Version: O

Illustrations

Dimensional drawing

