

Data sheet

OpDAT 4 UP 2xSC-D MM

Page 1/5

P/N

150110C202-E

EAN 4250184111405

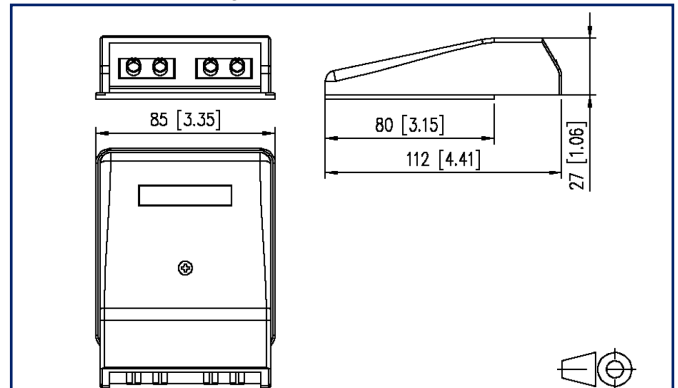
2025/05/19

Version: AH

Illustrations



Dimensional drawing



See enlarged drawings at the end of document

Product specification

- fiber optic wall outlet for mounting on the wall conduits with fiber optic adapters
- equipped with 2 SC-D MM adapters
- compliance with a bending radius of approx. 30 mm due to integrated cable reservoir
- insertion direction inclined 10° downwards
- strain relief with cable ties possible
- with label window for enclosed identification labels
- suitable for preassembled cables and on-site assembly of plugs
- suitable for mini-breakout-cable
- color of cover parts pure white RAL 9010
- variants: 2 LC-D, 2 SC-D, 4 ST



Data sheet
OpDAT 4 UP 2xSC-D MM

P/N
150110C202-E
EAN 4250184111405
2025/05/19
Version: AH

Technical Data

General Data

Fields of application	office areas
Mechanical measurement according to MICE	M1
Ingress measurement according to MICE	I1
Climatic measurement according to MICE	C1
Electromagnetic measurement according to MICE	E3
Design	wall outlet
Mounting style	UP
Transmission technology	Fiber optic
Color	pure white - RAL 9010
Dimensions	
Dimension (L x W x H)	27 mm x 85 mm x 112 mm
Dimension (L x W x H)	1.063 in. x 3.346 in. x 4.409 in.
Mode type of the fiber	Multimode
Labeling option	label window with identification label

Connections/interfaces

Connector technology interface 1	SC-D
Connector technology interface 2	SC-D
Number of ports interface 1	2
Number of ports interface 2	2
Number of equipped ports interface 1	2
Number of ports interface 2 equipped	2
Number of ports with dust protection interface 2	2
Module plug-in direction	10° downwards

Mechanical data

Cut-out	SC-D, LC-Q, ST-D
Connector type	duplex
Life - Number of mating cycles	min. 1000
strain relief	cable tie

Technical Data

Materials and material properties

Material - Housing	Plastics
Material - Cover part(s)	ABS
Material - Label window	ABS, transparent
Material - Coupler housing	metal
Material - Sleeve	ceramic, slotted
RoHS	compliant

Standards/Regulations

Cover plates for installation devices 1	DIN 49075-1:1989-10
Cover plates for installation devices 2	DIN 49075-2:1989-10

Classifications

ETIM 7.0	EC001409
ETIM 8.0	EC001409
ETIM 9.0	EC001409

Packing details

Type of packaging	1 pc(s) / box
-------------------	---------------

Application note

This product is a standard product of METZ CONNECT. METZ CONNECT is not aware of the specific intended use of the goods by the Customer or any customers of the Customer. The Customer guarantees that it has fully and sufficiently tested the use of the goods and any product modifications, product changes or product enhancements with regard to the specific intended use in accordance with the state of the art or in any other way. At METZ CONNECT's request, the Customer shall submit and make available meaningful evidence (e.g. test and laboratory protocols, certifications, etc.).



Data sheet
OpDAT 4 UP 2xSC-D MM

Page 4/5

P/N
150110C202-E
EAN 4250184111405
2025/05/19
Version: AH

Accessories

P/N	Designation
150810-I	OpDAT cable guide for OpDAT 4 UP



Data sheet

OpDAT 4 UP 2xSC-D MM

Page 5/5

P/N

150110C202-E

EAN 4250184111405

2025/05/19

Version: AH

Illustrations

Dimensional drawing

