

Data sheet

Page 1/4

OpDAT Industry terminal rail TS35 + LC-D SM adapter insert

P/N

1402L06113KE

EAN 4250184119098

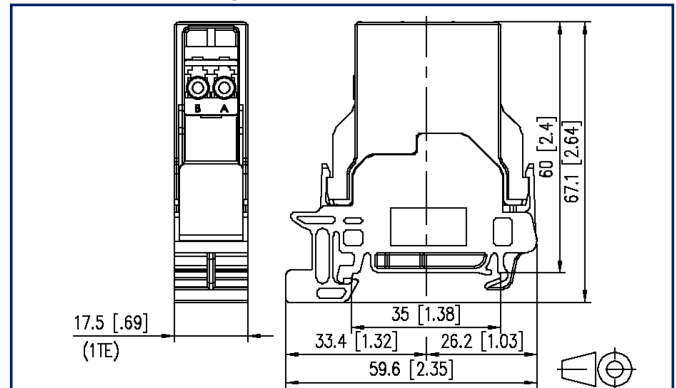
2025/09/17

Version: K

Illustrations



Dimensional drawing



See enlarged drawings at the end of document

Product specification

- termination unit with LC-D adapter on TH35 rail to DIN EN 60715
- slotted zirconium oxide ceramics sleeve (ZrO₂) for single mode applications
- slotted metal sleeve (Ph-Br) for multi mode applications
- width of 1HP allows mounting up to 12 units in a standard electrical distribution panel
- vertical plugging direction, 90° to rail
- variants: SM, MM



OpDAT Industry terminal rail TS35 + LC-D SM adapter insert

P/N

1402L06113KE

EAN 4250184119098

2025/09/17

Version: K

Technical Data

General Data

Fields of application	office areas
Mechanical measurement according to MICE	M1
Ingress measurement according to MICE	I1
Climatic measurement according to MICE	C1
Electromagnetic measurement according to MICE	E3
Design	wall outlet
Mounting style	Standard rail TH35
Transmission technology	Fiber optic
Color	light gray
Dimensions	
Dimension (L x W x H)	67.1 mm x 17.5 mm x 59.6 mm
Dimension (L x W x H)	2.642 in. x 0.689 in. x 2.346 in.
Horizontal pitch	1HP
Mode type of the fiber	Singlemode

Connections/interfaces

Connector technology interface 1	LC-D
Connector technology interface 2	LC-D
Number of ports interface 1	1
Number of ports interface 2	1
Number of equipped ports interface 1	1
Number of ports interface 2 equipped	1
Number of ports with dust protection interface 1	1
Number of ports with dust protection interface 2	1
Module plug-in direction	vertical

Mechanical data

Cut-out	SC, LC-D, E2000
Connector type	simplex
Position/mounting of latch standard installation position	top

OpDAT Industry terminal rail TS35 + LC-D SM adapter insert

P/N

1402L06113KE

EAN 4250184119098

2025/09/17

Version: K

Technical Data

Materials and material properties

Material - Housing	Plastics
Material - Cover part(s)	PA66
Material - Lower housing	PA66
Material - Sleeve	ceramic, slotted
RoHS	compliant

Environmental conditions

Increased robustness	yes
----------------------	-----

Classifications

ETIM 7.0	EC001024
ETIM 8.0	EC001024
ETIM 9.0	EC001024
ETIM 10.0	EC001024

Packing details

Type of packaging	10 pc(s) / box
-------------------	----------------

Application note

This product is a standard product of METZ CONNECT. METZ CONNECT is not aware of the specific intended use of the goods by the Customer or any customers of the Customer. The Customer guarantees that it has fully and sufficiently tested the use of the goods and any product modifications, product changes or product enhancements with regard to the specific intended use in accordance with the state of the art or in any other way. At METZ CONNECT's request, the Customer shall submit and make available meaningful evidence (e.g. test and laboratory protocols, certifications, etc.).

OpDAT Industry terminal rail TS35 + LC-D SM adapter insert

P/N

1402L06113KE

EAN 4250184119098

2025/09/17

Version: K

Illustrations

Dimensional drawing

