

# Data sheet

## Keystone 19 inches module frame 0.5RU 24 port black unequipped

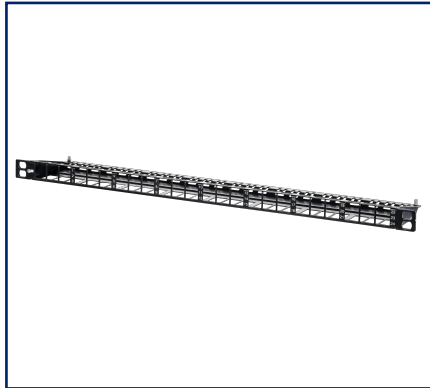
P/N  
130925-BKKE

EAN 4250184191339

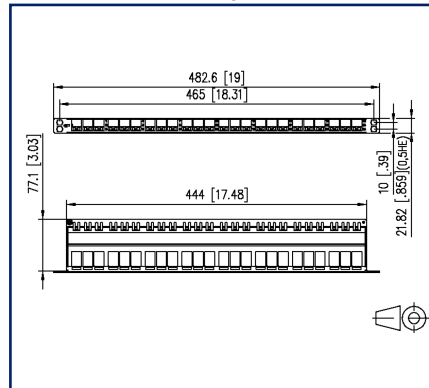
2025/09/17

Version: AE

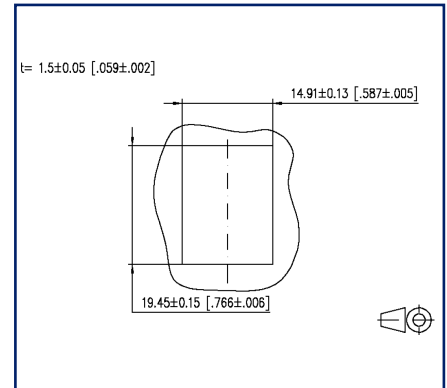
### Illustrations



Dimensional drawing



Cut-out



See enlarged drawings at the end of document

### Product specification

- 19 inch module frame 0.5RU 24 port unequipped, black
- for 24 individual modules in Keystone design
- additional strain relief on patch panel possible by cable ties, cable ties included in delivery
- suitable modules: E-DAT modul K, UTP modul Cat.6<sub>A</sub>, UTP modul Cat.6, UTP modul Cat.5e
- design: Keystone



# Keystone 19 inches module frame 0.5RU 24 port black unequipped

P/N

130925-BKKE

EAN 4250184191339

2025/09/17

Version: AE

## Technical Data

### General Data

Mechanical measurement according to MICE	M1
Ingress measurement according to MICE	I1
Climatic measurement according to MICE	C1
Electromagnetic measurement according to MICE	E3
Design	patch panel
Mounting style	0.5RU
Color	black
Dimensions	
Dimension (L x W x H)	77.1 mm x 444 mm x 21.82 mm
Dimension (L x W x H)	3.035 in. x 17.48 in. x 0.859 in.
Inches	19 inches
Labeling option	printed numbers

### Connections/interfaces

Number of ports interface 1	24
Number of equipped ports interface 1	0
Number of ports interface 2	24
Number of ports interface 2 equipped	0

### Mechanical data

Cut-out	Keystone
strain relief	cable tie

### Materials and material properties

Halogen free	yes
RoHS	compliant

### Classifications

ETIM 7.0	EC002006
ETIM 8.0	EC002006
ETIM 9.0	EC002006
ETIM 10.0	EC002006

Data sheet

Page 3/6

**Keystone 19 inches module frame 0.5RU 24 port black unequipped**

P/N

130925-BKKE

EAN 4250184191339

2025/09/17

Version: AE

**Technical Data****Packing details**

Type of packaging 1 box

**Application note**

This product is a standard product of METZ CONNECT. METZ CONNECT is not aware of the specific intended use of the goods by the Customer or any customers of the Customer. The Customer guarantees that it has fully and sufficiently tested the use of the goods and any product modifications, product changes or product enhancements with regard to the specific intended use in accordance with the state of the art or in any other way. At METZ CONNECT's request, the Customer shall submit and make available meaningful evidence (e.g. test and laboratory protocols, certifications, etc.).



Data sheet

Page 4/6

**Keystone 19 inches module frame 0.5RU 24 port black unequipped**

P/N

130925-BKKE

EAN 4250184191339

2025/09/17

Version: AE

**Accessories**

P/N	Designation
130792	Mounting kit, cage nuts M6
130910K-DNV	E-DAT modul Cat.6 <sub>A</sub> K jack - Keystone style DNV
130910KI	E-DAT modul Cat.6 <sub>A</sub> K jack - Keystone style
130910KI-79	E-DAT modul Cat.6 <sub>A</sub> K jack - Keystone style
130910KZ	E-DAT modul Cat.6 <sub>A</sub> K jack - Keystone style (12 pcs)
130A08-I-B1	UTP modul Cat.5e white
130A10-29-I-B1	UTP modul 8(8) Cat.6 black
130A10-I-B1	UTP modul 8(8) Cat.6 white
130A11-29KI	UTP modul 8(8) Cat.6 <sub>A</sub> Keystone black
130A11KI	UTP modul 8(8) Cat.6 <sub>A</sub> Keystone white



Data sheet

Page 5/6

## Keystone 19 inches module frame 0.5RU 24 port black unequipped

P/N

130925-BKKE

EAN 4250184191339

2025/09/17

Version: AE

### Accessories from

P/N	Designation
130862-1H20-E	Surface mount housing for 19 inches patch panels 1RU pure white
130862-2H20-E	Surface mount housing for 19 inches patch panels 2RU pure white



# Keystone 19 inches module frame 0.5RU 24 port black unequipped

P/N

130925-BKKE

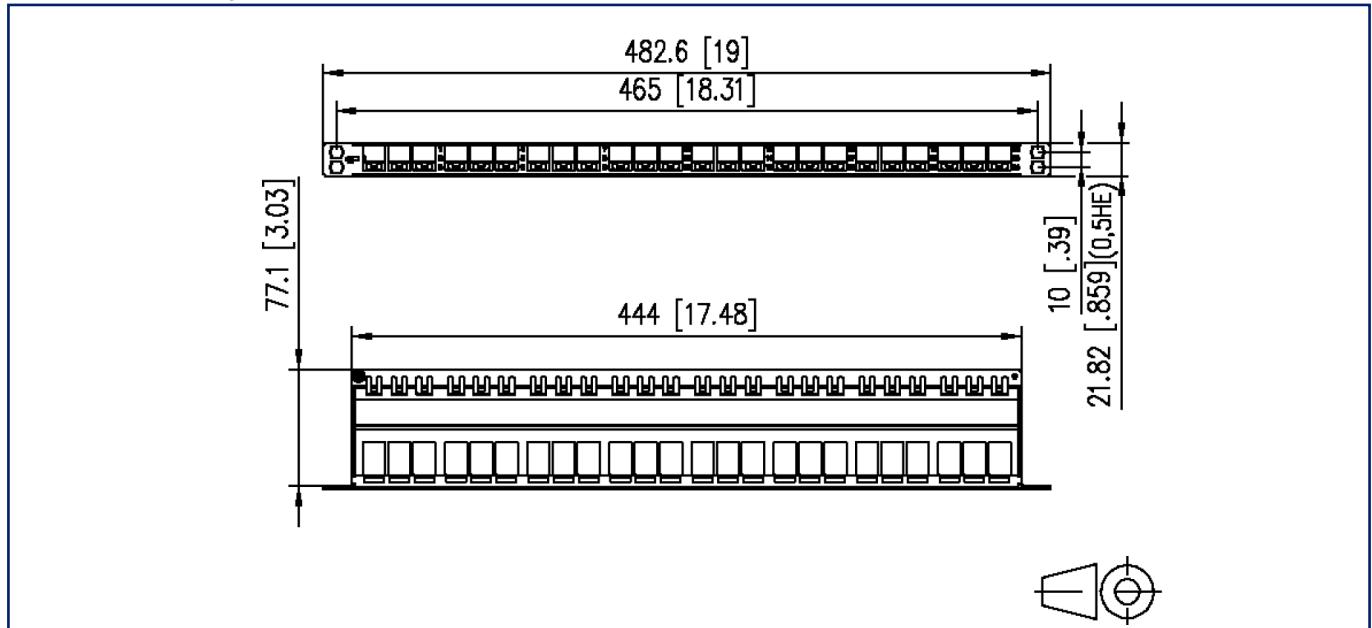
EAN 4250184191339

2025/09/17

Version: AE

## Illustrations

Dimensional drawing



Cut-out

