

Data sheet

KAD-C12

Page 1/5

P/N
110656

EAN 4250184122869

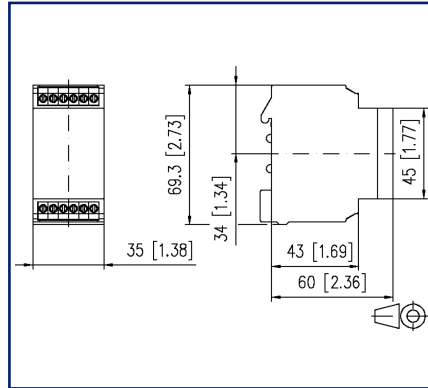
2025/10/15

Version: H

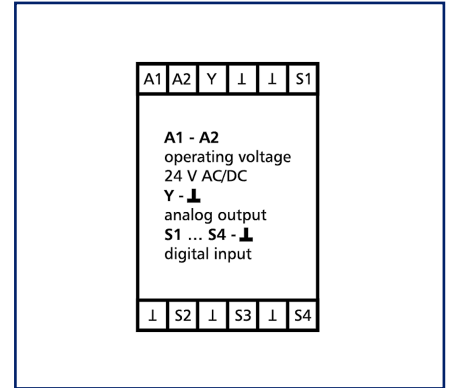
Illustrations



Dimensional drawing



Wiring diagram



See enlarged drawings at the end of document

Product specification

The digital/analog converter is designed to convert contacts into an analog signal. The inputs are scanned in steps of 0.5 V. They can be connected to and scanned at a compact control with an analog input (0-10 V). The bridged inputs are signaled by means of LEDs. Example: S1 and S4 bridged corresponds to an output voltage of 4.5 V.

- Switching states are indicated by means of LEDs
- Connection with screw-type terminals



Data sheet
KAD-C12

Page 2/5

P/N
110656
EAN 4250184122869
2025/10/15
Version: H

Technical Data

Supply	
Operating voltage	24 V AC/DC
Power consumption AC (max.)	60 mA
Power consumption DC (max.)	50 mA
Inputs	
Scanning	0.5 V steps
Outputs	
Indicator	yellow LED
Housing	
Dimensions	
Dimension (W x H x D)	35 mm x 69.3 mm x 60 mm
Dimension (W x H x D)	1.378 in. x 2.728 in. x 2.362 in.
Weight	30 g
Mounting style	Standard rail TH35
Mounting position	any
Apposition	without distance
Connection type	Screw type terminal blocks
Terminal blocks	
Wire cross section solid	0.34 mm ² - 2.5 mm ² / AWG 22-12
Wire cross section multi	0.34 mm ² - 2.5 mm ² / AWG 22-12
Wire cross section with wire ferrule	0.34 mm ² - 2.5 mm ² / AWG 22-12
Screw torque (max.)	0.5 Nm
Stripping length (min.)	8 mm
Material	
Material - Housing	Polyamid 6.6 V0
Color	gray
Material - Terminal block	Polyamid 6.6 V0
Material - Covers	Polycarbonat

© 2025 METZ CONNECT - Technische Änderungen vorbehalten! Subject to modifications! Sous réserve de modifications techniques!

Data sheet
KAD-C12

Page 3/5

P/N
110656

EAN 4250184122869

2025/10/15

Version: H

Technical Data**Protection category according to IEC 60529**

Protection category - housing (acc. to IEC 60529)	IP40
Protection category - terminal blocks (acc. to IEC 60529)	IP20

Climatic Data

Operating

Temperature - Operating °C	-10 °C - 50 °C
Temperature - Operating °F	14 °F - 122 °F
Relative humidity	max. 85 % non-condensing

Storage

Temperature - Storage °C	-25 °C - 70 °C
Temperature - Storage °F	-13 °F - 158 °F

Classifications

ETIM 7.0	EC000310
ETIM 8.0	EC000310
ETIM 9.0	EC000310
ETIM 10.0	EC000310

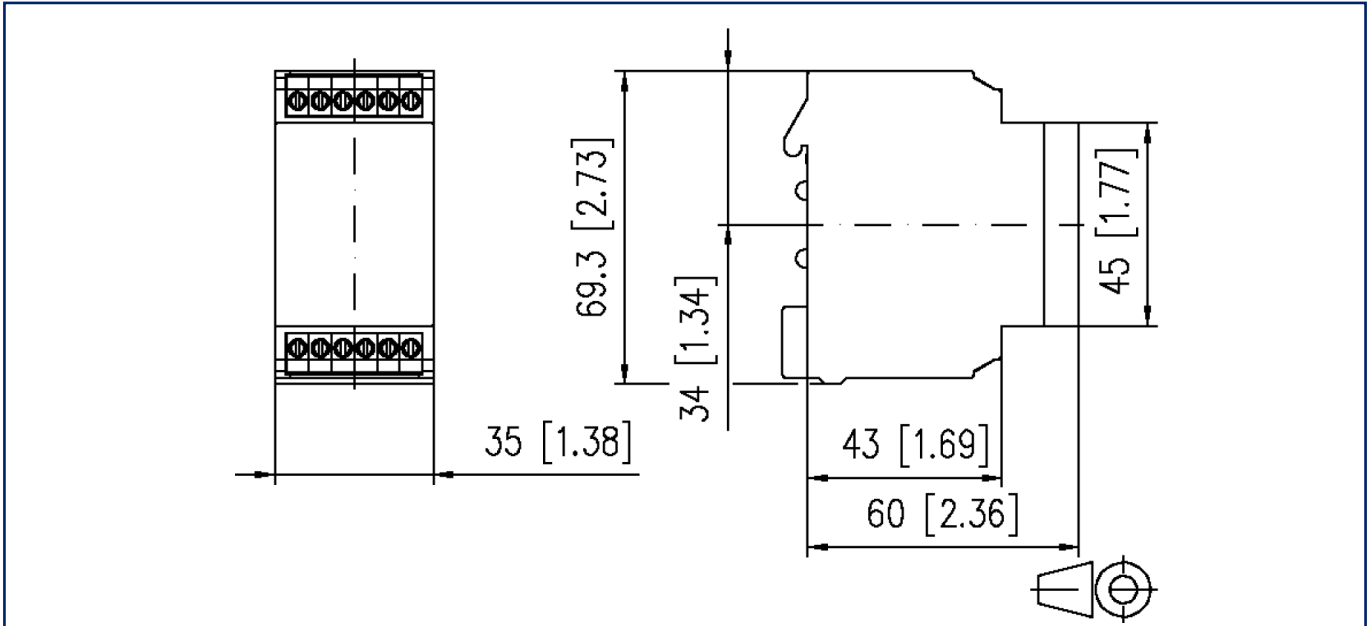
Application note

This product is a standard product of METZ CONNECT. METZ CONNECT is not aware of the specific intended use of the goods by the Customer or any customers of the Customer. The Customer guarantees that it has fully and sufficiently tested the use of the goods and any product modifications, product changes or product enhancements with regard to the specific intended use in accordance with the state of the art or in any other way. At METZ CONNECT's request, the Customer shall submit and make available meaningful evidence (e.g. test and laboratory protocols, certifications, etc.).

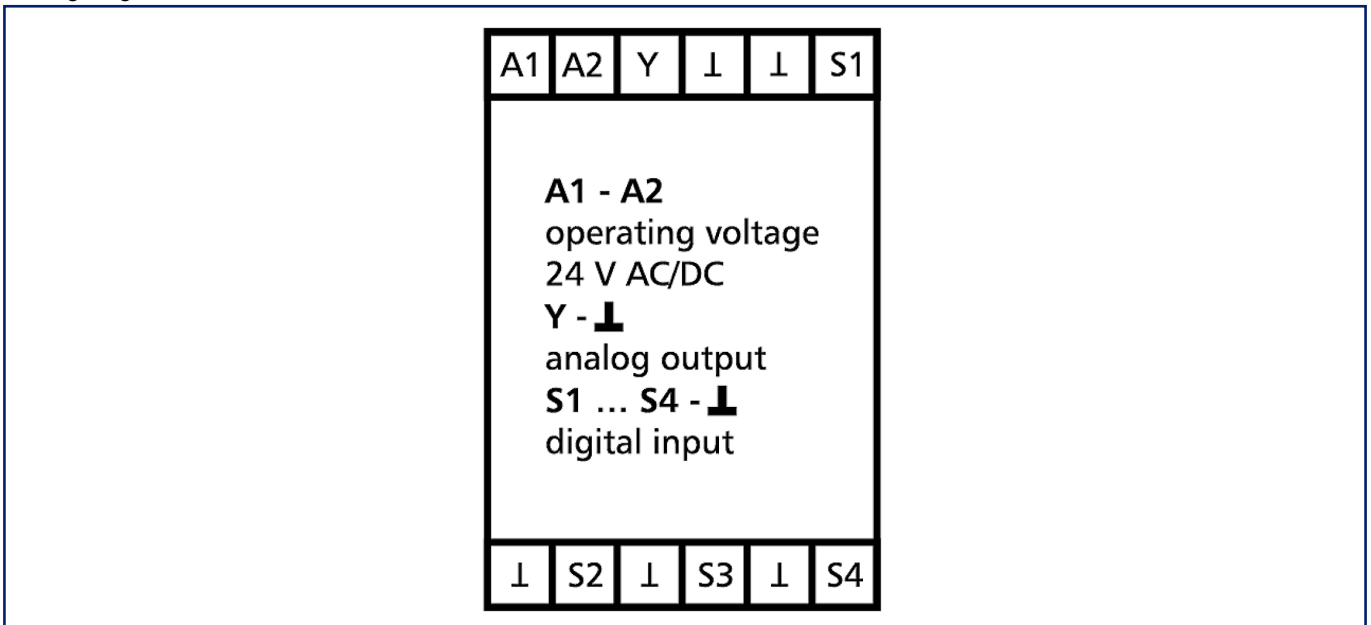


Illustrations

Dimensional drawing



Wiring diagram



Illustrations

Wiring diagram

Table of switching conditions

Output V DC	Inputs S				Output V DC	Inputs S			
	1	2	3	4		1	2	3	4
0.0 V	0	0	0	0	4.5 V	1	0	0	1
0.5 V	1	0	0	0	5.0 V	0	1	0	1
1.0 V	0	1	0	0	5.5 V	1	1	0	1
1.5 V	1	1	0	0	6.0 V	0	0	1	1
2.0 V	0	0	1	0	6.5 V	1	0	1	1
2.5 V	1	0	1	0	7.0 V	0	1	1	1
3.0 V	0	1	1	0	7.5 V	1	1	1	1
3.5 V	1	1	1	0	>7.5 V	1	1	1	1
4.0 V	0	0	0	1					

Value of the inputs

S1 = 0.5 V

S2 = 1.0 V

S3 = 2.0 V

S4 = 4.0 V

Circuit diagram

