

Data sheet

OpDAT REGpro splice tray with crimp splice holder

Page 1/5

P/N
15024ASK-E

EAN 4250184130437

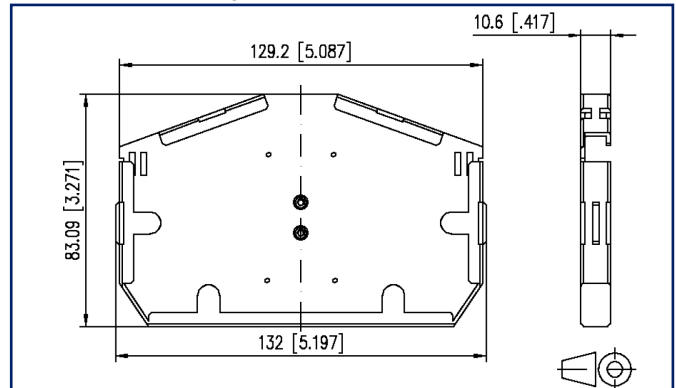
2025/09/17

Version: Q

Illustrations



Dimensional drawing



See enlarged drawings at the end of document

Product specification

- splice tray for OpDAT REGpro or OpDAT REGpro24
- with splice holder for up to 12 crimp or shrink splice holder



OpDAT REGpro splice tray with crimp splice holder

P/N

15024ASK-E

EAN 4250184130437

2025/09/17

Version: Q

Technical Data

General Data

Fields of application	structured building cabling data center
Mechanical measurement according to MICE	M1
Ingress measurement according to MICE	I1
Climatic measurement according to MICE	C1
Electromagnetic measurement according to MICE	E3
Design	Splice tray
Color	light gray
Dimensions	
Dimension (L x W x H)	83.09 mm x 132 mm x 10.6 mm
Dimension (L x W x H)	3.271 in. x 5.197 in. x 0.417 in.

Connections/interfaces

Ground connection	grounding bolt with nut and lock washer
-------------------	---

Materials and material properties

Material - Housing	steel
--------------------	-------

Classifications

ETIM 7.0	EC000762
ETIM 8.0	EC000762
ETIM 9.0	EC000762
ETIM 10.0	EC000762

Packing details

Type of packaging	1 pc(s) / plastic bag
-------------------	-----------------------

Application note

This product is a standard product of METZ CONNECT. METZ CONNECT is not aware of the specific intended use of the goods by the Customer or any customers of the Customer. The Customer guarantees that it has fully and sufficiently tested the use of the goods and any product modifications, product changes or product enhancements with regard to the specific intended use in accordance with the state of the art or in any other way. At METZ CONNECT's request, the Customer shall submit and make available meaningful evidence (e.g. test and laboratory protocols, certifications, etc.).

Data sheet

Page 3/5

OpDAT REGpro splice tray with crimp splice holder

P/N

15024ASK-E

EAN 4250184130437

2025/09/17

Version: Q

Accessories

P/N	Designation
15090301-I	OpDAT splice protection cover for 12 crimp splices
15090302-I	OpDAT splice protection cover for 6 shrink splices

Data sheet

Page 4/5

OpDAT REGpro splice tray with crimp splice holder

P/N

15024ASK-E

EAN 4250184130437

2025/09/17

Version: Q

Accessories from

P/N	Designation
15024A10-24-E	OpDAT REGpro24 housing without splice tray
15024A10-E	OpDAT REGpro housing without splice tray

OpDAT REGpro splice tray with crimp splice holder

P/N
15024ASK-E

EAN 4250184130437

2025/09/17

Version: Q

Illustrations

Dimensional drawing

