

Data sheet

OpDAT REGpro front cover for 12xE2000/12xSC-S

Page 1/6

P/N

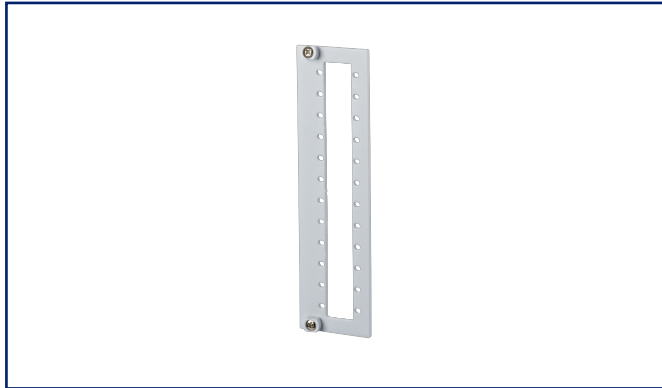
15024A0200-E

EAN 4250184130338

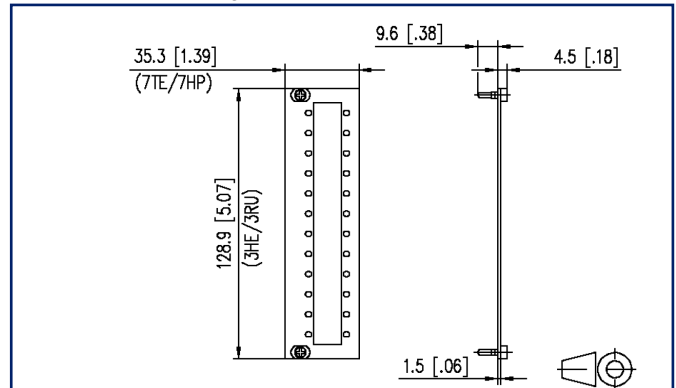
2025/09/17

Version: X

Illustrations



Dimensional drawing



See enlarged drawings at the end of document

Product specification

- front plate 3RU/7HP
- unequipped for 12xE2000 simplex or 12xSC simplex
- suitable for mounting in OpDAT REG pro
- gray, powder-coated steel sheet



OpDAT REGpro front cover for 12xE2000/12xSC-S

P/N

15024A0200-E

EAN 4250184130338

2025/09/17

Version: X

Technical Data

General Data

Fields of application	structured building cabling office areas data center
Mechanical measurement according to MICE	M1
Ingress measurement according to MICE	I1
Climatic measurement according to MICE	C1
Electromagnetic measurement according to MICE	E3
Design	front plate
Mounting style	3RU/7HP
Color	gray
Dimensions	
Dimension (L x W x H)	128.9 mm x 9.6 mm x 35.3 mm
Dimension (L x W x H)	5.075 in. x 0.378 in. x 1.39 in.
Height unit	3RU
Labeling option	yes

Connections/interfaces

Number of ports interface 1	6
Number of ports interface 2	6
Number of equipped ports interface 1	0
Number of ports interface 2 equipped	0

Mechanical data

Cut-out	SC, LC-D, E2000
Mounting method	screwable

Materials and material properties

Material - Front cover	sheet steel
Material - Front cover finish	powder-coated
Halogen free	yes
RoHS	compliant

Data sheet

Page 3/6

OpDAT REGpro front cover for 12xE2000/12xSC-S

P/N

15024A0200-E

EAN 4250184130338

2025/09/17

Version: X

Technical Data**Classifications**

ETIM 7.0	EC002006
ETIM 8.0	EC002006
ETIM 9.0	EC002006
ETIM 10.0	EC002006

Packing details

Type of packaging 1 pc(s) / plastic bag

Application note

This product is a standard product of METZ CONNECT. METZ CONNECT is not aware of the specific intended use of the goods by the Customer or any customers of the Customer. The Customer guarantees that it has fully and sufficiently tested the use of the goods and any product modifications, product changes or product enhancements with regard to the specific intended use in accordance with the state of the art or in any other way. At METZ CONNECT's request, the Customer shall submit and make available meaningful evidence (e.g. test and laboratory protocols, certifications, etc.).



Data sheet

Page 4/6

OpDAT REGpro front cover for 12xE2000/12xSC-S

P/N

15024A0200-E

EAN 4250184130338

2025/09/17

Version: X

Accessories

P/N	Designation
15090057-I	OpDAT E2000 adapter OM2 (beige)
15090058-I	OpDAT adapter E2000-Simplex OS2
15090059-I	OpDAT adapter E2000-Simplex APC OS2
15090073-I	OpDAT LC-D Kupplung MM (Ph-Br, beige)
15090074-50	OpDAT adapter LC-Duplex OS2 - 50 pieces
15090074-I	OpDAT adapter LC-Duplex OS2
15090075-50	OpDAT adapter LC-Duplex OM4 - 50 pieces
15090075-I	OpDAT adapter LC-Duplex OM4
15090076-I	OpDAT adapter LC-Duplex APC OS2
15090077-I	OpDAT adapter LC-Duplex OM3



Data sheet

Page 5/6

OpDAT REGpro front cover for 12xE2000/12xSC-S

P/N

15024A0200-E

EAN 4250184130338

2025/09/17

Version: X

Accessories from

P/N	Designation
15024A10-24-E	OpDAT REGpro24 housing without splice tray
15024A10-E	OpDAT REGpro housing without splice tray
15024A10S-E	OpDAT REGpro housing with splice tray and crimp splice holder
15090076-50	OpDAT adapter LC-Duplex APC OS2 - 50 pieces
15090077-50	OpDAT adapter LC-Duplex OM3 - 50 pieces



Data sheet

Page 6/6

OpDAT REGpro front cover for 12xE2000/12xSC-S

P/N

15024A0200-E

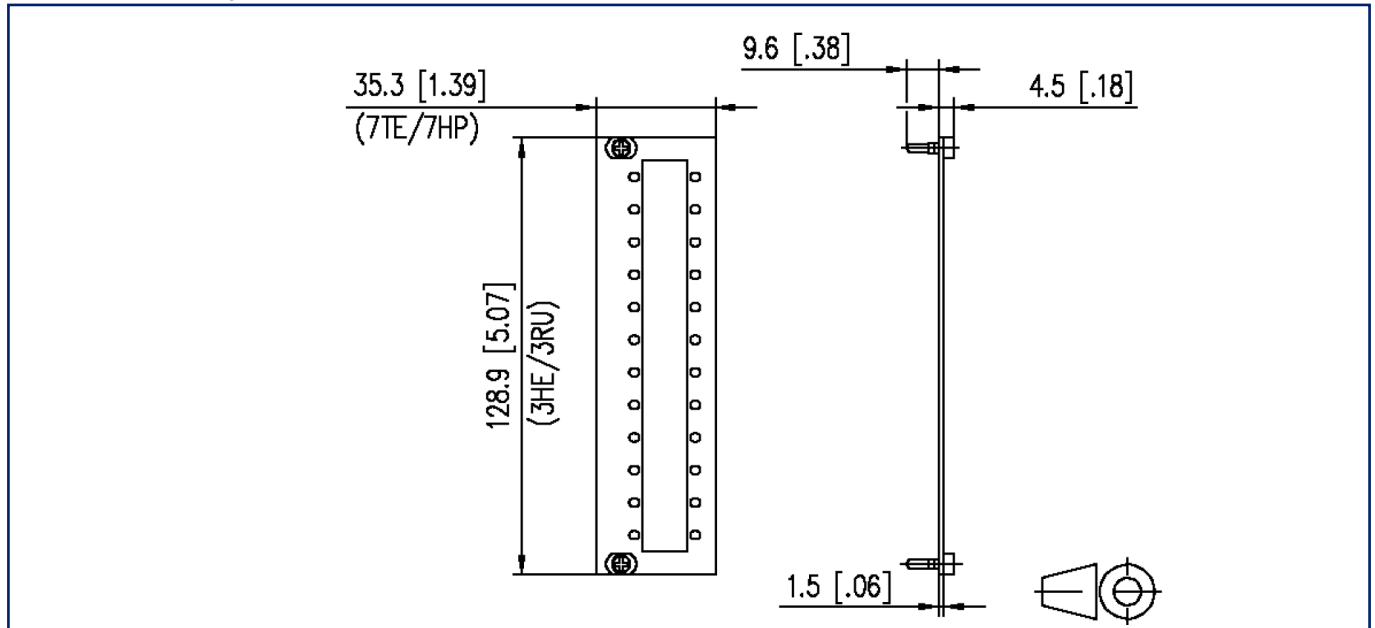
EAN 4250184130338

2025/09/17

Version: X

Illustrations

Dimensional drawing



© 2025 METZ CONNECT - Technische Änderungen vorbehalten! Subject to modifications! Sous réserve de modifications techniques!

